

# INDUSTRIAL PARTS AND SANDBLASTING EQUIPMENTS CATALOG

(cabinets, pressure vessels & accessories)



**TABLE OF CONTENTS**

	<b>Page</b>
<b>BLAST CABINETS</b>	4
BLAST CABINET ECO420.....	5
BLAST CABINET ECONO 26 TO 48 SERIES .....	6
G15 TRIGGER OPERATED SANDBLAST GUN .....	7
<b>THIS PAGE IS DELIBERATELY LEFT BLANK</b> .....	8
BLAST CABINET SUCTION ECAB 3-5-7 SERIES (UNTIL 2022).....	9
BLAST CABINET SUCTION ECAB 3-5-7 SERIES (SINCE 2022) .....	10
<b>THIS PAGE IS DELIBERATELY LEFT BLANK</b> .....	11
RECOVERY SYSTEM - EXPLODED VIEW & PARTS).....	12
ECAB SERIES SUCTION / PRESSURE SANDBLASTING CABINETS - FOOT PEDAL, PNEUMATIC TREE. (SINCE 2022) ..	13
SANDBLASTING GUNS ASSOCIATED TO A FOOT PEDAL - G5 & SH5 GUNS - NOZZLE/SPRAY COMBO .....	14
INDUSTRIAL CABINET "M" SERIE – SUCTION: EXPLODED VIEW & PARTS (UNTIL 2022).....	15
INDUSTRIAL CABINET "M" SERIE – SUCTION: EXPLODED VIEW & PARTS (SINCE 2022) .....	16
INDUSTRIAL CABINET "M" SERIE – SUCTION: PNEUMATIC TREE.....	17
INDUSTRIAL CABINET "M" SERIE – PRESSURE: EXPLODED VIEW & PARTS (UNTIL 2022).....	18
INDUSTRIAL CABINET "M" SERIE – PRESSURE: STD ½" PNEUMATIC TREE (UNTIL 2022).....	19
INDUSTRIAL CABINET "M" SERIE – PRESSURE: OPT. 1" PNEUMATIC TREE (UNTIL 2022).....	20
INDUSTRIAL CABINET "M" SERIE – PRESSURE: EXPLODED VIEW & PARTS (SINCE 2022).....	21
INDUSTRIAL CABINET "M" SERIE – PRESSURE: STD ½" PNEUMATIC TREE (SINCE 2022).....	22
INDUSTRIAL CABINET "M" SERIE – PRESSURE: OPT. 1" PNEUMATIC TREE (SINCE 2022).....	23
INDUSTRIAL CABINET "M" SERIE – PRESSURE: AUTODEPRESSURIZATION SYSTEM.....	24
SANDBLASTING CABINET: FOOT CONTROL PEDAL (UNTIL 2022).....	25
SANDBLASTING CABINET: OPTION NO CONTACT CONTROL PEDAL.....	26
SANDBLASTING CABINETS: HOSES, COUPLINGS & NOZZLES .....	27, 28
PRESSURE VESSELS M101P.....	29
PRESSURE VESSELS M101P TYPE RC76.....	30
M SERIES INDUSTRIAL CABINETS: RECLAIMING SYSTEM.....	31
<b>DUST COLLECTORS</b> .....	32
DUST COLLECTOR DC - 50 SERIE.....	33
DUST COLLECTOR DCM100 TO 330 SERIE .....	34
DUST COLLECTORS: MOTORS, HOSES AND BAGS OR CARTRIDGES.....	35
DUST COLLECTORS DCM600 TO 1,800 SERIE.....	36
<b>PORTABLE SANDBLASTERS</b> .....	37

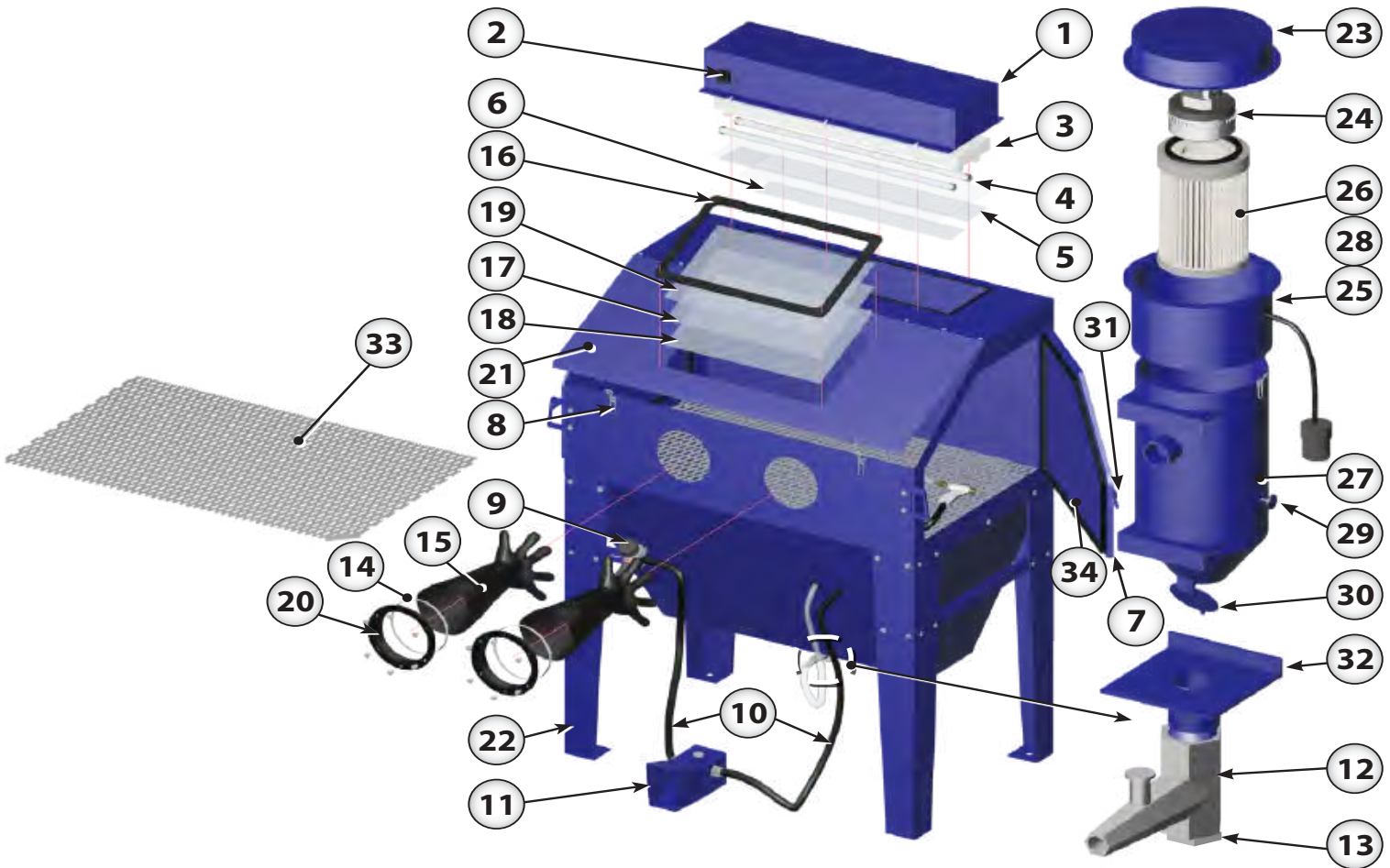
**TABLE OF CONTENTS (CONT'D)**

	<b>Page</b>
PPB-80PX PORTABLE SANDBLASTER .....	38
100 PX PORTABLE SANDBLASTER (DISCONTINUED).....	39
PPB-80 & 100PX PORTABLE SANDBLASTER AVAILABLE PARTS.....	40
SANDBLASTERS PPB-346/646/1046 : NOZZLES & HOSES.....	41 TO 43
SANDBLASTER MODEL 340 - 640 TYPE RC66 / RC70 ( UNTIL 2009)- EXPLODED VIEW & PARTS LIST.....	44, 45
SANDBLASTER MODEL 340 - 640 TYPE RC76 / RC80 ( UNTIL 2009)- EXPLODED VIEW & PARTS LIST.....	46, 47
SANDBLASTERS PPB-346/646/1046 : RC-176 PRESSURE RELEASE SYSTEM .....	48, 49
SANDBLASTERS PPB-346/646/1046 : RC-186 - PRESSURE HOLD SYSTEM (UNTIL 2017).....	50, 51
SANDBLASTERS PPB-346/646/1046 : RC-186 - PRESSURE HOLD SYSTEM ( 2017 TO 2022).....	52, 53
SANDBLASTERS PPB-346/646/1046 : RC-186 - PRESSURE HOLD SYSTEM ( SINCE 2022).....	54, 55
SANDBLASTERS PPB-346/646/1046 : MMV-175 METERING VALVE .....	56
SANDBLASTERS PPB-346/646/1046 : PMV-186 METERING VALVE (UNTIL 2017) .....	57
SANDBLASTERS PPB-346/646/1046 : AR7+46 OR A7 ABRASIVE METERING VALVES.....	58
SANDBLASTERS PPB-346/646/1046 : AV-176 - COMBO AIR VALVE .....	59
SANDBLASTERS PPB-346/646/1046: AV-186 - AIR VALVE .....	60
<b>THIS PAGE IS DELIBERATELY LEFT BLANK.....</b>	<b>61</b>
SANDBLASTERS PPB-346/646/1046: RC176/186 - PMV-176 COMBO SYSTEM (UNTIL 2017) .....	62, 63
SANDBLASTERS PPB-346/646/1046: RC176/186 - AR7+A6 COMBO SYSTEM (2017 TO 2022) .....	64, 65
SANDBLASTERS PPB-346/646/1046: RC176/186 - AR7+A7 COMBO SYSTEM (SINCE 2022) .....	66, 67
REMOTE CONTROLS BOXES FOR SANBLAST BOOTHS (RC176-186) (UNTIL2022) .....	68
REMOTE CONTROLS BOXES FOR SANBLAST BOOTHS (AR7+A7) (SINCE 2022).....	69
PNEUMATIC REMOTE CONTROLS .....	70
ELECTRICAL REMOTE CONTROLS .....	71
A6 ACTUATOR - AR-7 - DIAPHRAGM & PILOT VALVES (UNTIL2009).....	72
BREATHABLE AIR SYSTEM .....	73
SAFETY EQUIPMENT.....	74 TO 76
AP2-C & RPB® RADEX™ AIRLINE FILTER .....	77
AMBIENT AIR PUMP RADEX TYPE .....	78
AMBIENT AIR PUMPS, FILTRATION AND SUPPLY SYSTEMS .....	79
ABRASIVES.....	80 TO 82
AIR CONSUMPTIONS : PRESSURE BLASTING SYSTEMS - SUCTION BLASTING SYSTEMS .....	83
VARIOUS ACCESSORIES .....	84
UPGRADES LIST .....	85, 86
INFORMATION, TECHNICAL ASSISSANCE.....	87
IABOUT THE COMPANY .....	88

## BLAST CABINETS



**BLAST CABINET ECO420**

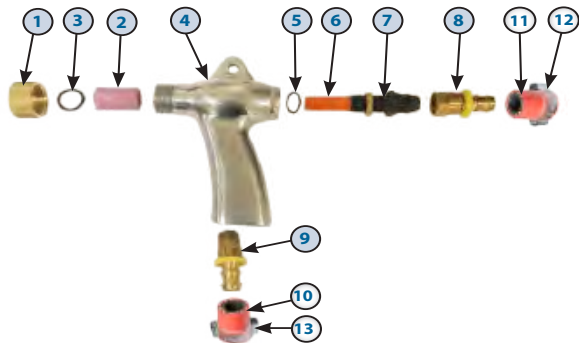


#	STOCK	DESCRIPTION
1	415101	Lamp Housing
2	415101A	Switch
3	415102	Double Fluorescent Tube Fixture
4	415103	Fluorescent Tube
5	415104	Lighting Window
6	415105	Light Window Seal
7	415106	Side Door
8	415107	Door Latch
9	415108	Pressure Gauge 150 psi with Regulator
10	606104	½" ± PVC Compressed Air Hose (sold per foot)
11	415111	⅜" Foot Pedal Complete

#	STOCK	DESCRIPTION
12	415113	Metering Valve
13	415112	Metering Valve Plug
14	624128	T Clamp T-128 (8" Ø) for Gloves (sold per unit)
15	415115	Gloves, Pair
16	415116	Window Frame Cover
17	910298	Glass
18	415118	Protection lens (Pack of 5)
19	415119	Plastic board
20	415120	Mounting ring, Gloves
21	415121	Lid, cabinet
22	415123	Legs, Cabinet

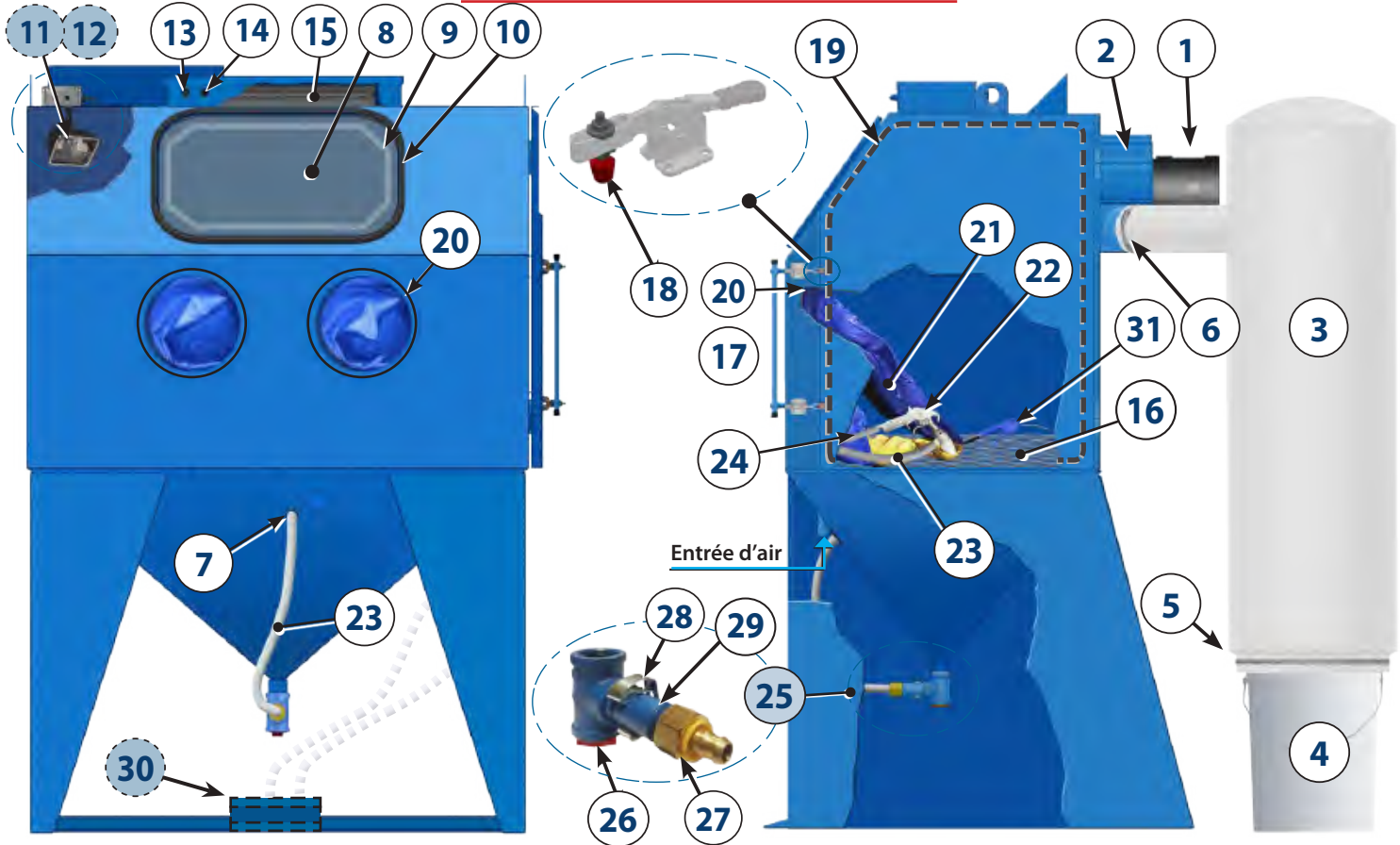
#	STOCK	DESCRIPTION
23	415124	Top of Dust Collector
24	415125	Vacuum Motor
25	415127	Cover, Motor
26	405100	Dust Filter
27	415130	Round Dust Collector
28	415131	Sealing Tape
29	415134	Push Rod
30	415133	Board, Exhaust
31	415135	Door locker
32	415137	Cover
33	415139	Floor
34	618320	Door Gasket

**ECO420 SANDBLAST GUN**



#	STOCK	DESCRIPTION
<b>A</b>	<b>420010</b>	<b>COMPLETE GUN WITH 7 MM NOZZLE</b>
1	420001	Nozzle Holding Nut, Brass
2	905304	Ceramic Nozzle, 7 mm
3	420003	O-Ring, Nozzle
4	420004	Gun Body
5	420005	Air Jet Hex Nut, Brass
6	420006	Sleeve, Air Jet
7	420007	Air Jet
8	420008	½" I.D. x ⅜" Hose barb
9	420009	Media Inlet Fitting, Barb ⅜"
10	606148	Hose, Media ½"
11	606104	Hose, Air ½"
12	624015	O Clamp ¾"

**BLAST CABINET ECONO SERIES**



#	STOCK	DESCRIPTION
1	616306	1/3 hp - 120V AC - 60Hz - 3450 rpm electric motor
2	610523	1/3 hp, arbre 1/2" ECONOBLAST impeller
	610522	high performance ECONOBLAST impeller
3	601315	DB13 dust bag
4	601310	23 L white plastic dust container
5	624137	T-188 (1 1/4" Ø) T-Clamp for dust container
6	624117	T-64 (4" Ø) T-Clamp
	624128	T-128 (8" Ø) T-Clamp for gloves(sold by unit)
7	618126	1/2" (3/4) Air hose Grommet
8	610205	14" x 22" laminated safety glass
9	613026	RPW26, 20 3/4" x 12 7/8" Self-adhesive plastic protection
10	610207	Rubber window frame
OPTION 11	617126	250W halogen spot (pyroceram glass non-included) (before 2017)
	617127	Halogen bulb (for 250W spot) (before 2017)
12	610213	5 1/2" x 4" Pyroceram glass for halogen spot (before 2008)
	610206	Pyroceram glass (since 2008)
13	617014	ON/OFF switch
	617019	Switch Protection
14	616935	AGC 10A -250V Fuse
	616907	Fuse holder

#	STOCK	DESCRIPTION
15	617161	DEL lighting fixture (since 2017)
	610322	DEL lighting protection glass (since 2017)
16	610455	26" x 36" ÉCONO Expanded steel floor
	610453	28" x 44" ÉCONO Expanded steel floor
	610451	36" x 36" ÉCONO Expanded steel floor
	610456	36" x 48" ÉCONO Expanded steel floor
17	610288	Standard ISTblast® Door latch
18	910223	Door latch rubberized screw
19	618321	"D" type rubber door seal (sold by the foot)
20	610229	8" Ø Glove clamp (sold individually)
21	603212	8" Ø int. x 30" long. E3 nylon sleeve gloves (sold in pairs only)
22	*****	G15 sandblasting gun activated by trigger (see next page)
23	606104	1/2" PVC hose for abrasive (sold by foot)
24	606103	3/8" Ø air hose (sold by foot)
25	608010	AR-3/4 abrasive regulator
26	936143	Screw-on polyethylene cap for AR-3/4
27	632960	PL 3/4" FTP x 1/2" Adapter
28	608011	AR-3/4 clip
29	603505	PA 3/4" x 3" nipple
OPTION 30	600115	Factory-fitted kit pedal and G5 blast gun
	600215	G5 Foot Pedal and Blasting Gun Kit (Parts Only)

\* Refer to Upgrades list at page 85 & 86 for specific replacement parts for your equipment.

**G15 TRIGGER OPERATED SANDBLAST GUN FOR ECONO SERIE CABINET**


**G15 BLAST GUN, PARTS LISTING**


A	#	Part No.	Description
Complete pre-assembled gun	1	610110	G15 Gun Body
	2	610111	G15 Suction Head
	3	607039	G15 Nozzle Adaptor
	4	632761	3/8" MPT x 1/2" Stem Brass
	5	618218	G15 Rubber Protector
	6	618100	G15 O-Ring
	7	NPN	Hexagonal Screw 1/4" - 20 x 1/4"
	8	910104	G15 Repair Kit

**NOZZLE AND AIR JET COMBINATIONS**

A		Nozzle				Complete Air Jet	
G15	Nozzles	Model	Orifice	Lenght	Code	Code	Orifices
A		B				C	
610100	Ceramic	CN1-4	1/4"	1-1/4"	605000	610113	1/8"
610101	Ceramic (Standard)	CN1-5	5/16"		605001	610114	5/32"
610102	Tungsten	TN1-4	1/4"	1-1/4"	605002	610113	1/8"
610103	Tungsten	TN1-5	5/16"		605003	610114	5/32"

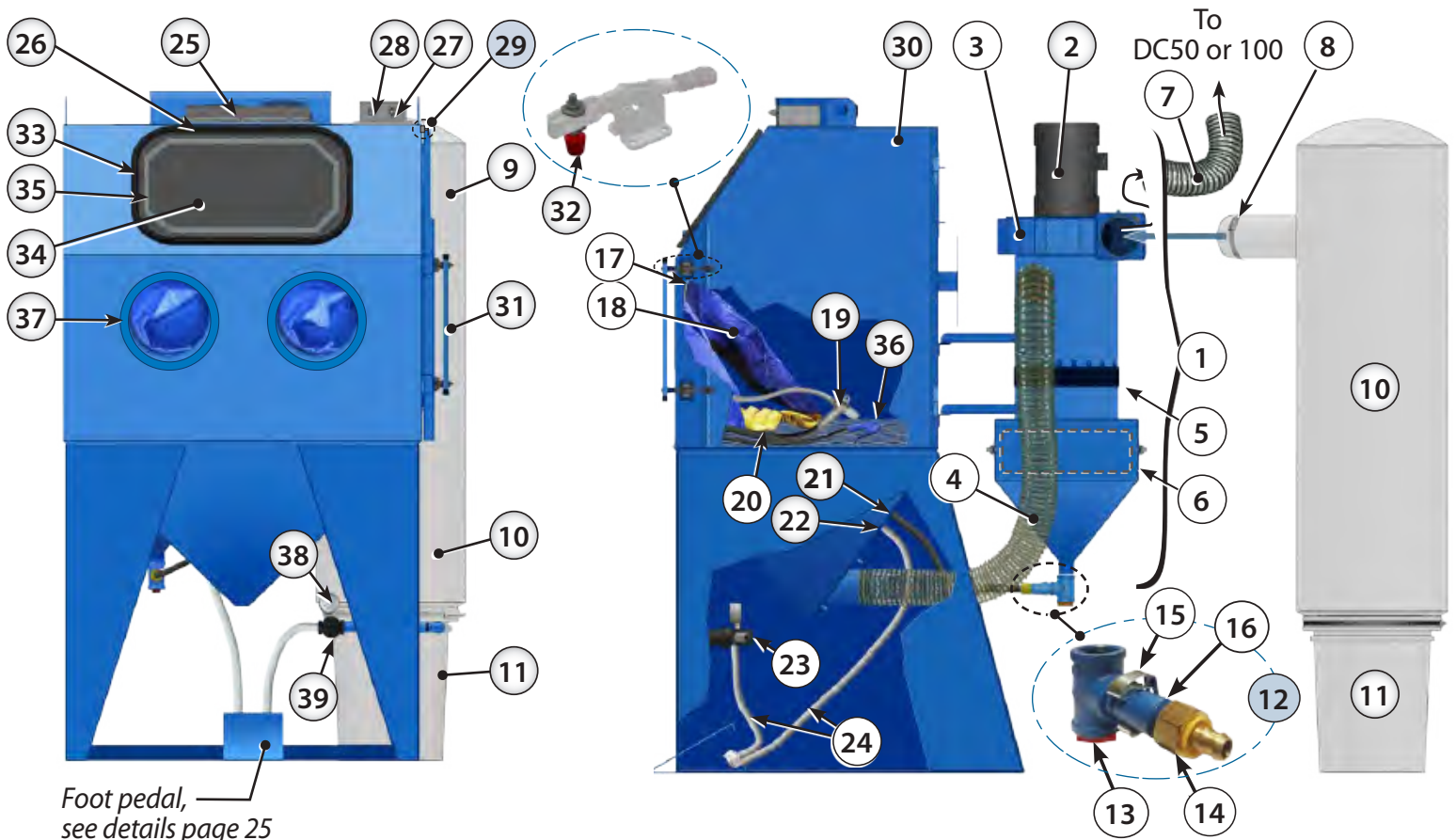
\* Pre-assembled sandblast guns includes parts 1 to 6, plus a combination of B-C

CERAMIC NOZZLE		
CN_		Cost-efficient nozzle for occasional use with soft abrasive media, such as glass beads, walnut shell, and steel shot / grit.

TUNGSTEN CARBIDE NOZZLE		
TN_		Higher durability nozzle for regular use with highly abrasive media, such as aluminum oxide and GMA Garnet.

**THIS PAGE IS DELIBERATELY  
LEFT BLANK**

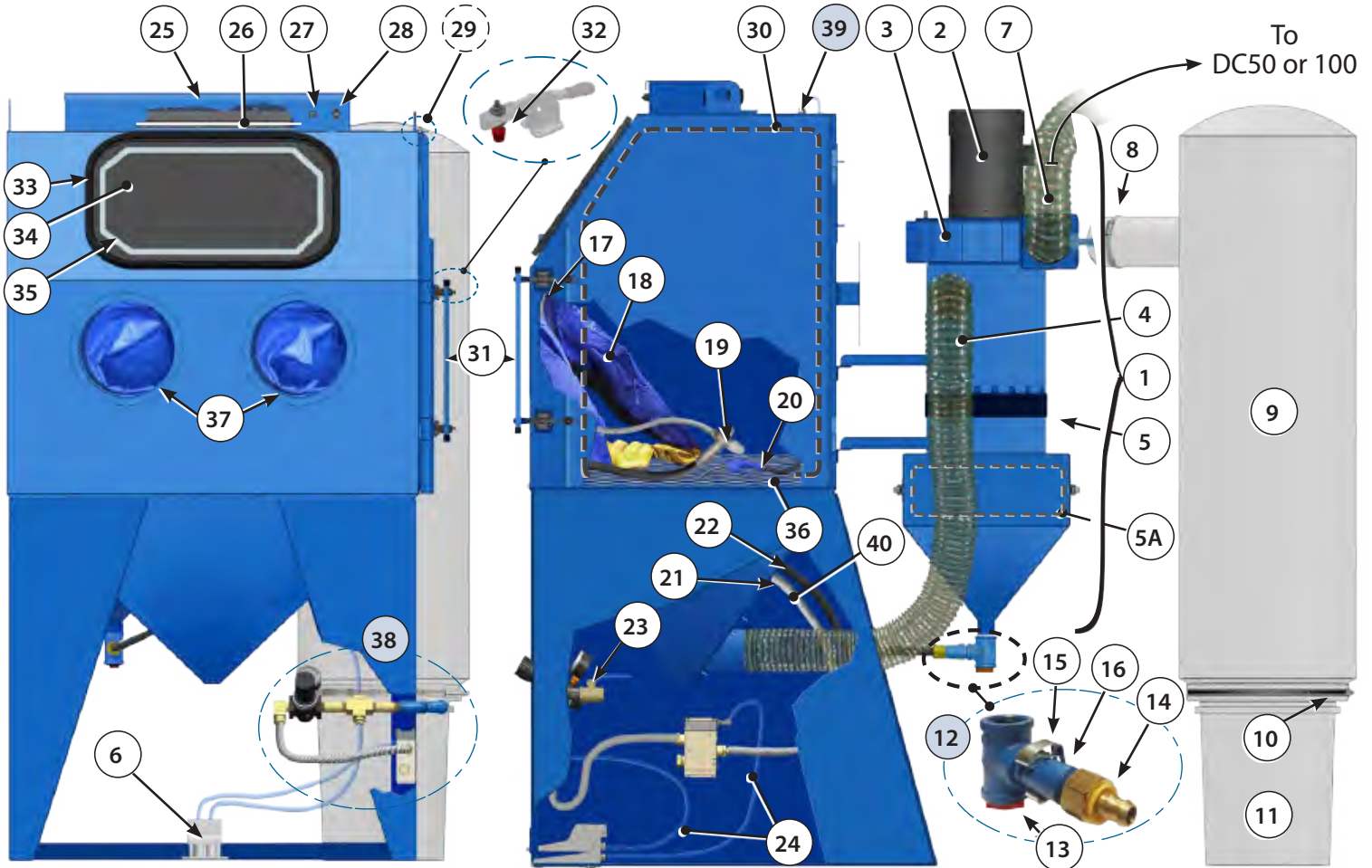
**ECAB SUCTION SERIES SANDBLAST CABINETS (UNTIL 2022)**



Foot pedal, see details page 25

#	Part #	DESCRIPTION	#	Part #	DESCRIPTION
1	609186	RVM 10" complete recycler with motor	24	606104	½" PVC compressed air hose (sold by foot)
2	616311	½ hp 120V / 1Ph / 60Hz / 3450 rpm motor	25*	617130	14.5 W (100 W) 5000 K LED lighting (before 2017)
3	610525	½ hp impeller		617161	Complete 24" LED lighting (since 2017)
4	606161	3½" abrasive transport hose (sold by foot)	26*	610202	Protective glass 4½" x 18" for lighting (before 2017)
5	618334	SBR ⅛" x 2" rubber band		613029	Protective visor 4½" x 18" for lighting (before 2017)
6	618318	Foam rubber ½" x ¼" x 37 ½" length		610322	Protective glass for full 24" LED (since 2017)
7	606167	4" diameter suction hose for dust collector	27	616934	AGC 2 A - 250 V Fuse
8	624117	4" T-64 Clamp Ring		616907	Fuse Holder
9	601315	DB-13 dust bag	28	617014	ON/OFF switch
10	624137	T-188 1 ¼" T- clamp		617019	Switch protection
11	601310	23 Liter white plastic container	29	600116	OPTION : security switch for ECAB 3-5-7
12	608010	AR-¾" complete abrasive regulator	30	618321	"D" type rubber door seal (sold by foot)
13	939143	Screw-on polyethylene plug for AR-¾ regulator	31	610288	Standard ISTBLAST® door handle
14	632960	PL ¾" FPT x ½" B Adaptor	32	910223	Door latch rubberized screw
15	608011	AR-¾" Clip	33	610207	Rubber window seal
16	630505	PA ¾" x 3" Nipple	34	610205	14" x 22" Safety glass (laminated glass)
17	624128	T-128 8" T-clamp ring (sold by unit)	35	613026	Self-adhesive RPW 26 visor
18	603212	Nylon sleeve gloves, 8" inside Ø x 30" length	36	610455	Expanded metal floor ECAB2636S - 26" X 36" (ECAB3)
19	*****	G5 foot-operated sandblasting gun (see next page)		610458	Expanded metal floor ECAB3636S - 36" x 36" (ECAB5)
20	606148	½" multi-purpose abrasive transport hose (sold by foot)		610459	Expanded metal floor ECAB3648S - 36" x 48" (ECAB7)
21	618127	½" (⅞) Grommet for sanblasting hose		610463	Expanded metal floor ECAB4848S - 48" x 48" (M SERIE)
22	618126	½" (¾) Grommet for air hose	37	610229	8" Glove strap (sold individually)
23	608102	½" Ball Valve (compressed air inlet)	38	611022	¼" Pressure Gauge

**ECAB SUCTION SERIES SANDBLAST CABINETS (SINCE 2022)**



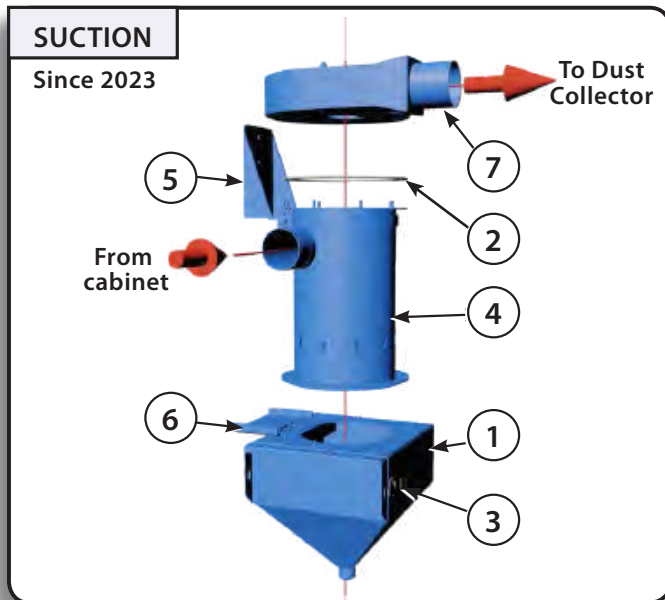
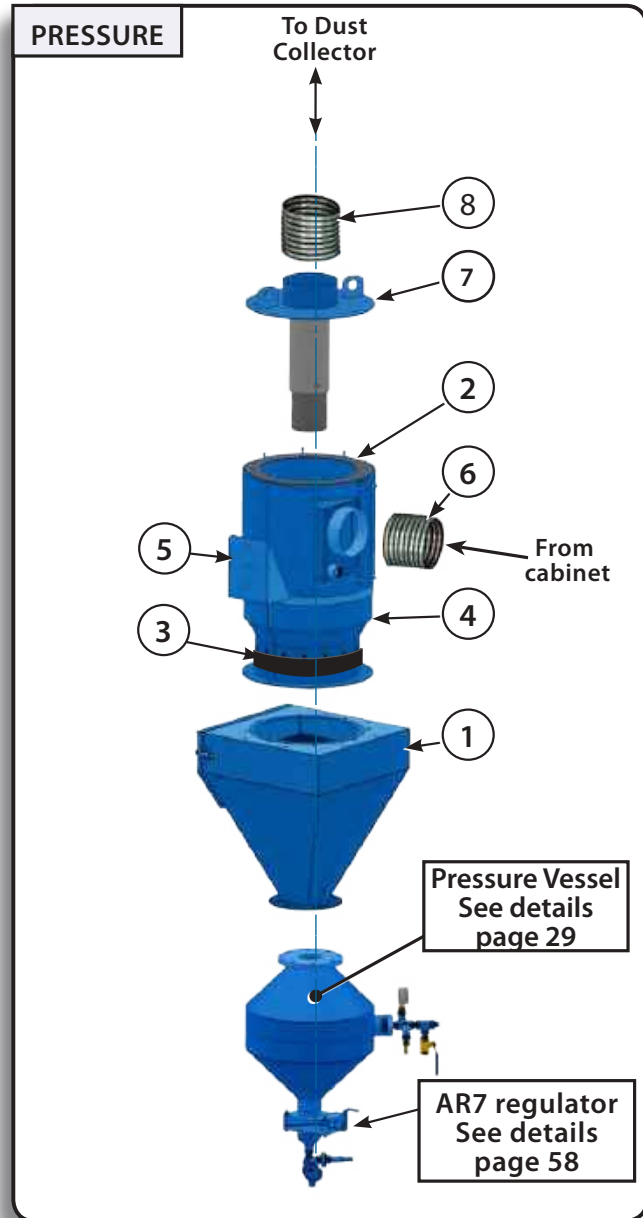
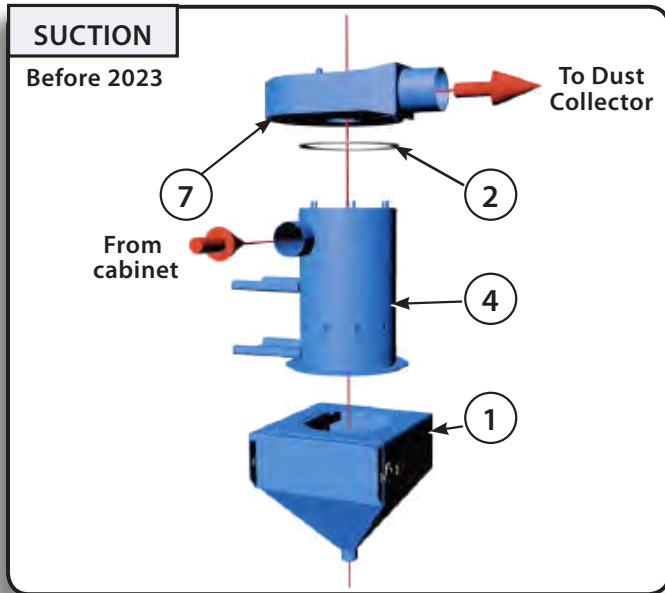
#	Part #	DESCRIPTION	#	Part #	DESCRIPTION
1	609186	Complete reclaimer with RVM 10" motor	24	324571	1/4" Blue polyester tube (sold by foot)
2	616311	1/2 hp 120 V / 1 ph / 60 Hz / 3450 rpm electrical motor	25	617161	24" LED Lighting
3	610525	1/2 hp Impeller	26	610322	Protective glass for full 24" LED
4	606161	3 1/2" suction hose (sold by foot)	27	616934	AGC 2 A - 250 V Fuse
5	618334	1/8" x 2" width SBR Rubber		616907	Fuse Holder
5A	618318	1/2" x 1/4" x 37 1/2" lenght Foam Rubber	28	617014	ON/OFF switch
6	*****	Factory fitted foot pedal (see details on page 13)		617019	Switch protection
7	606167	Suction hose for 4" dust collector	29	600116	OPTION : security switch for ECAB 3-5-7
8	624117	#64 (4") T-Clamp	30	618321	"D" type rubber door seal (sold by foot)
9	601315	DB-13 Dust bag	31	610288	Standard ISTBLAST® door handle
10	624137	T-188 (1 1/4") T-Clamp	32	910223	Door latch rubberized screw
11	601310	23L White Plastic Dust Bucket	33	610207	Rubber window seal
12	608010	AR-3/4" complete regulator	34	610205	14" x 22" Safety glass (laminated glass)
13	939143	Polyethylene threaded plug for AR 3/4"	35	613026	Self-adhesive RPW 26 visor
14	632960	PL 3/4" FPT x 1/2" B Fitting	36	610455	Expanded metal floor ECAB2636S - 26" X 36" (ECAB3)
15	608011	Clip for AR 3/4"		610458	Expanded metal floor ECAB3636S - 36" x 36" (ECAB5)
16	630505	SP 3/4" x 3" lg. Nipple		610459	Expanded metal floor ECAB3648S - 36" x 48" (ECAB7)
17	624128	T-128 by 8" T-Clamp (sold by unit)		610463	Expanded metal floor ECAB4848S - 48" x 48" (M SERIE)
18	603212	8" I.D. x 30" lenght nylon sleeve gloves, (sold in pairs)	37	610229	8" Ø Glove strap (sold individually)
19	*****	Foot-operated G5 sandblasting gun (see page 14)	38	*****	Pneumatic Tree (See p. 13)
20	606148	1/2" Multi-purpose abrasive hose (sold by foot)	39	324503	Push-in 1/4" Bulkhead Fitting for air gun (optional)
21	618126	1/2" (3/4) Air Hose Grommet	40	606104	1/2" white PVC air hose (sold by foot)
22	618127	1/2" (7/8") Abrasive Hose Grommet			
23	608102	1/2" FTP ball valve for customer air inlet			

\* Refer to the list of updates on pages 85 and 86 for spare parts relating to your equipment.

**THIS PAGE IS DELIBERATELY  
LEFT BLANK**

## ECAB SUCTION & PRESSURE SERIES SANDBLAST CABINETS

### RECOVERY SYSTEMS - EXPLODED VIEW & PARTS

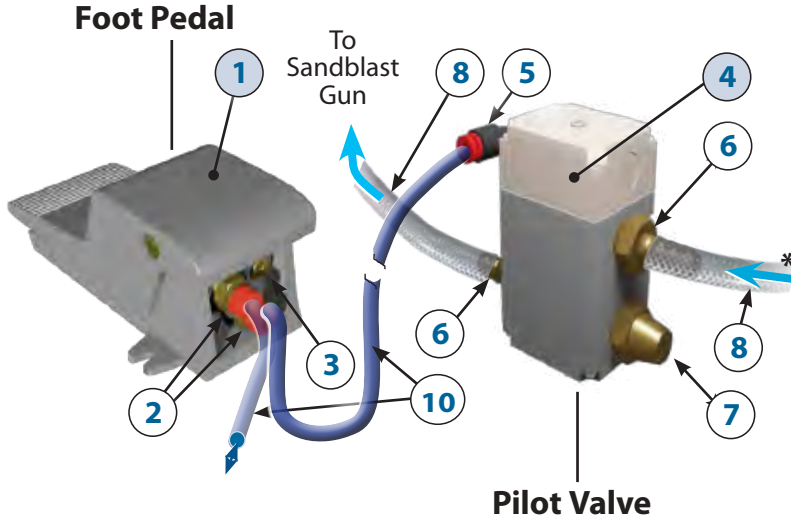


#	PART #	DESCRIPTION
1	609256	HOPPER
2	618318	SELF-ADHESIVE RUBBER
3	610269	DRAWER LOCKER
4	609225	RECYCLER BODY (BEFORE 2023)
	IST	RECYCLER BODY (SINCE 2023)
5	IST	RECYCLER BODY UPPER BRACKET
6	IST	RECYCLER BODY LOWER BRACKET
7	609216	FAN BOX

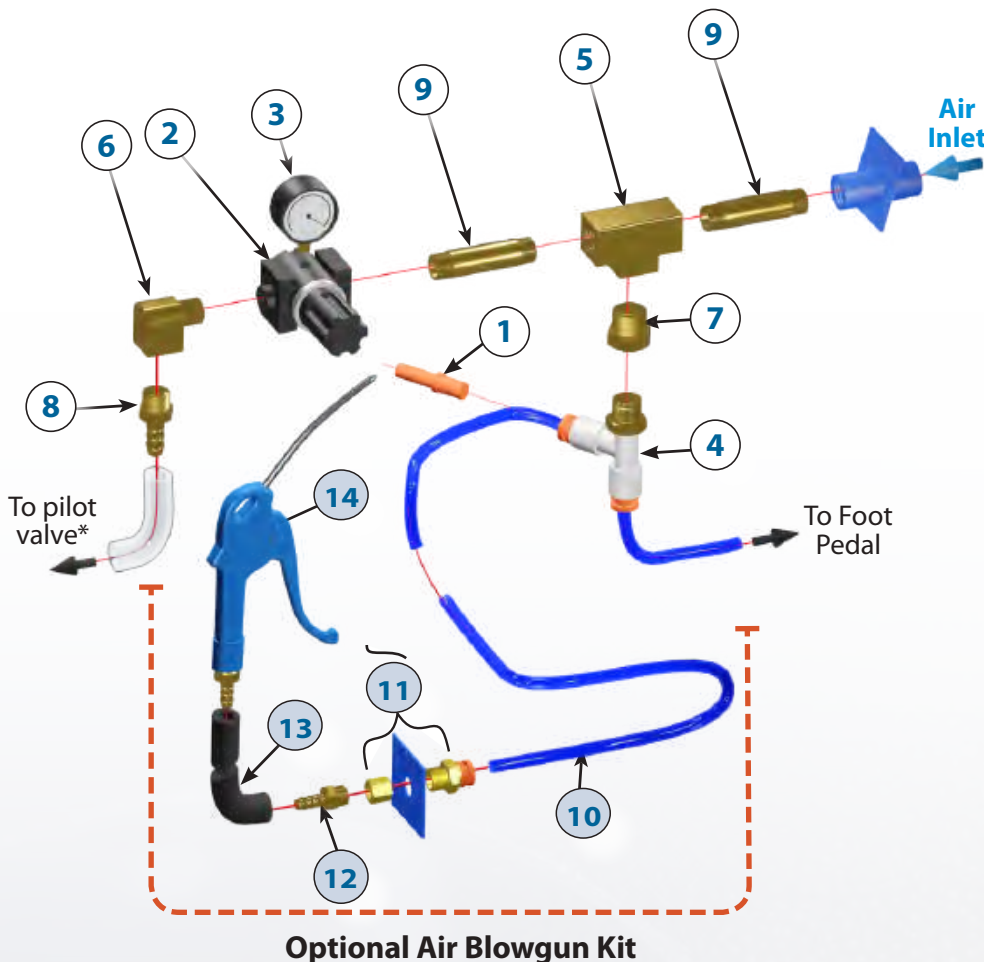
#	PART #	DESCRIPTION
1	609256	HOPPER
2	618318	SELF-ADHESIVE RUBBER
3	618334	RUBBER STRIP
4	609225	RECYCLER BODY
5	609313	RECYCLER BODY SUPPORT
6	606161	ABRASIVE TRANSPORT HOSE
7	609216	OUTLET BOX 10" VERTICAL
8	See p.34	DUST TRANSPORT HOSE

**FOOT CONTROL PEDAL AND PNEUMATIC TREE FOR SUCTION AND PRESSURE ECAB SERIES SANDBLASTING CABINETS (SINCE 2022)**

**FOOT PEDAL AND PILOT VALVE**



#	Part #	Description
1	610345	Pneumatic foot pedal (complete)
2	950264	1/4" Push-in Fittings
3	950265	1/4" Brass Plug
4	608519	1/2" NPT Pilot Valve
5	324561	1/8" NPT 1/4" Tube Push-in Fitting
6	632760	1/2" Hose Barb Fitting
7	608287	1/2" NPT Blowhole
8	606104	1/2" PVC Air Hose (sold by foot)

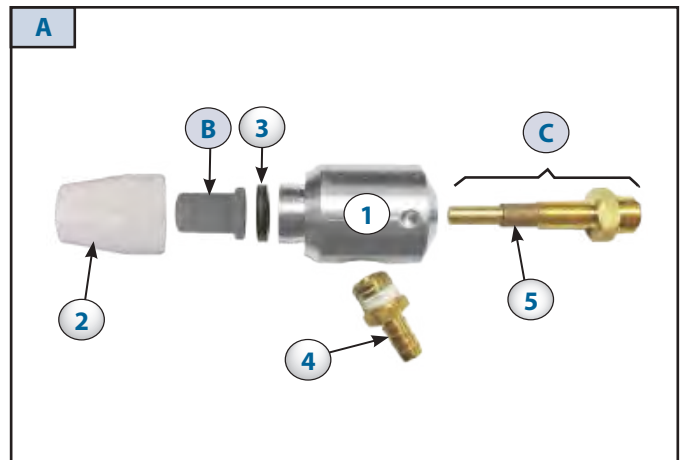
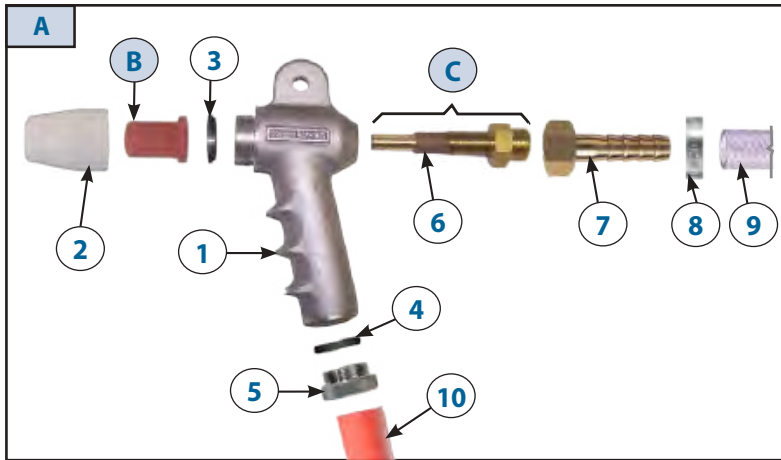


#	Part #	Description
1	324504	1/4" Plug
2	608022	1/2" Pressure Regulator
3	611022	1/4" NPT Pressure Gauge
4	612453	1/4" FPT "T" Push-in
5	632720	PL 1/2" FPT Brass "T"
6	632730	PL 1/2" MPT x 1/2" FPT @ 90° Elbow
7	632745	1/2" MPT @ 1/4" FPT Hex. Reducer
8	632760	1/2" MPT x 1/2" TU Hose Barb Fitting
9	932108	1/2" x 3" Lg. Nipple
<b>STANDARD</b>		
10	324571	1/4" Blue Poly. Tube (sold/fo.)
11	324503	1/4" x 1/4" TU Bulkhead Push-in Fitting
12	632270	1/4" MPT x 1/4" TU Hose Barb Fitting
13	606147	1/4" Multipur. Hose (sold/fo.)
14	610275	Air Blowgun c/w Fitting
<b>Kit soufflette à air EN OPTION</b>		

**G5/SH5 FOOT OPERATED SANBLAST GUN**

**G5 GUN PARTS LIST**




**SH5 GUN PARTS LIST**



<b>Pre-assembled gun</b>	1	610119	Blast Gun Body only
	2	607037	Nozzle Adaptor
	3	618017	NW-2 Rubber Washer
	4	618112	O-Ring
	5	607038	Hose Adaptor
	6	618219	Rubber Protector
	7	632771	1/2" Brass Female Swivel Hose Barb
	8	624015	3/4" O-Clamp
	9	606104	1/2" PCV Compressed Air Hose (sold per foot)
	10	606148	1/2" Multipurpose Abrasive Conveying Hose (sold per foot)

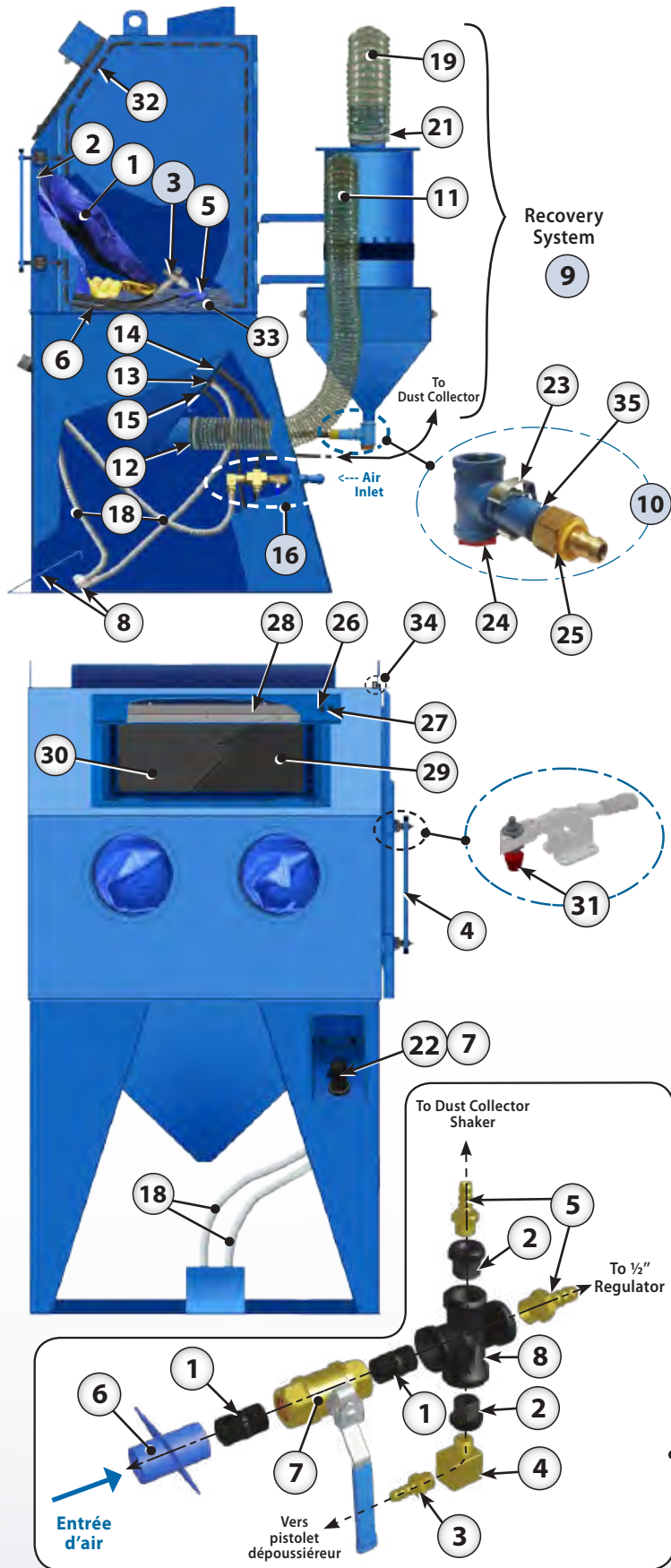
<b>pre-assembled gun</b>	1	610134	SH-5 Blast Gun Body Only
	2	607037	NA-G5 / SH5 Nozzle Adaptor
	3	618017	NW-2 Rubber Washer
	4	632760	1/2" Stem Brass Hose Barb
	5	618219	Rubber Protector

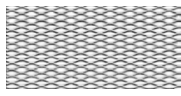
**PROPER AIR JET/NOZZLE COMBINATIONS**

	Pre-Assembled blast guns (*)		Nozzles				Air jet (Complete)	Orifices ±	
	G5	SH5	Nozzles	Type	Orifice	Length			Code
	A			B					C
 CN2-	610121	610135	Ceramic	CN2-4	1/4"	1-1/4"	605004	610116	1/8"
	610120	610136		CN2-5	5/16"		605005	610117	5/32"
	610166	610144		CN2-6	3/8"		605015	610109	3/16"
	610122	610137		CN2-7	7/16"		605006	610118	7/32"
 TN2-	610123	610138	Tungsten	TN2-4	1/4"		605007	610116	1/8"
	610124	610139		TN2-5	5/16"		605008	610117	5/32"
	610167	610145		TN2-6	3/8"		605018	610109	3/16"
	610125	610140		TN2-7	7/16"		605009	610118	7/32"
 BN2-	610126	610141	Boron Carbide	BN2-4	1/4"		605010	610116	1/8"
	610127	610142		BN2-5	5/16"		605011	610117	5/32"
	610168	610146		BN2-6	3/8"		605021	610109	3/16"
	610128	610143		BN2-7	7/16"		605012	610118	7/32"

\* Pre-assembled sandblast gun includes all parts, plus a combination of B-C

**INDUSTRIAL CABINET "M" SERIES SUCTION: EXPLODED VIEW & PARTS**



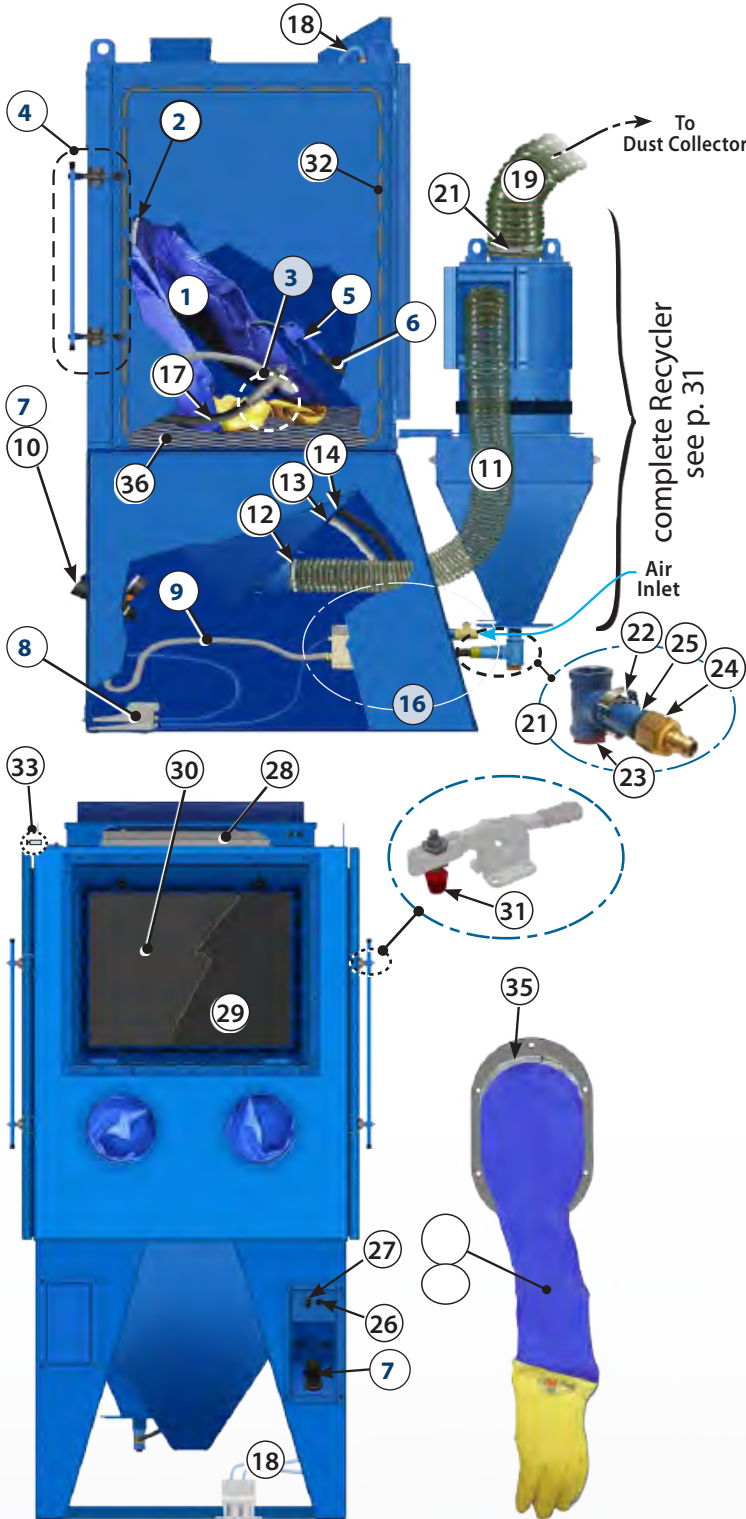
#	PART #	DESCRIPTION	
1	603212	Gloves with nylon sleeves, 8" Ø ID x 30" lenght	
	603205	Gloves with leather sleeves (Optional)	
2	624128	8" Ø Gloves Clamp	
3	610120	G5 CN2-5 Gun (see page 14)	
4	610288	Standard Door Handle	
5	610275	Dust-off Blowgun	
6	606147	¼" Multipur. Hose (sold by foot)	
7	608022	½" Pressure Regulator	
8	610270	Suction Foot Pedal	
8	608604	Suction Foot Pedal Valve	
9		Complete Recycler as per dimensions (see page 31)	
10	608010	AR-¾" Abrasive Regulator	
11	606120	5" - 600 cfm Abrasive Transport Hose	
	606169	6" diam. - 900 to 1800 cfm Abrasive Transport Hose	
12	624121	5" Hose Clip	
12	624124	6" Hose Clip	
13	618126	½" Air Hose Grommet	
14	618127	½" Abrasive Hose Grommet	
15	618133	¼" Dust-off Blowgun Hose	
16	666211	Complete Suction Tree	
17	606148	½" Multipur. Hose (sold by foot)	
18	606104	½" Air Hose	
19	606169	6" - 600 cfm Suction Hose	
	606171	7" - 900 cfm Suction Hose	
	606173	8" - 1200 cfm - 1800 cfm Suction Hose	
21	624124	6" Hose Clip	
	624127	7" Hose Clip	
	624128	8" Hose Clip	
22	611022	¼" Pressure Regulator	
23	608011	AR-¾" Clip	
24	939143	Screw-on Polyethylene Plug	
25	632960	PL ¾" FPT x ½" B Adaptor	
26	616933	AGC 1 A - 250 V Fuse	
26	616907	Fuse Holder	
27	617014	ON/OFF Switch	
28	617161	24" Lighting c/w LED (cabinet less than 48")	
28	617160	48" Lighting c/w LED (cabinet more than 48")	
29	610212	23 ¾" x 18 ¾" Safety Laminated Glass (cabinet less than 48")	
	610211	17" x 48" Safety Laminated Glass (cabinet more than 48")	
	618318	½" x ¼" Window Seal (sold by foot)	
30	613038	RPW 50 - 23 ¾" x 18 ¾" Protective Visor	
	613035	RPW 1748 Protective visor (cabinet more than 48")	
31	910223	Toggle Stem Rod	
32	618322	« P » Type Rubber for door (sold by foot)	
	610453	28" x 44"	Expanded Metal Floor Cabinet 
	610458	36" x 36"	
	610454	36" x 48"	
	610462	42" x 48"	
	610463	48" x 48"	
610469	48" x 60"		
34	600116	OPTION : Door Security Switch	
35	630505	¾" x 3" PA Nipple	

**16 SUCTION TREE**

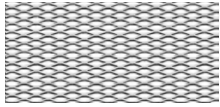
#	PART #	DESCRIPTION
1	630301	½" NPT Nipple
2	632745	½" NPT x ¼" NPT Reducer
3	632270	¼" NPT Hose Barb Fitting
4	630328	¼" NPT MF Elbow
5	632760	½" NPT Hose Barb Fitting
6	630390	½" NPT Inlet Ring
7	630341	½" NPT Ball Valve
8	630327	½" Cross

\* Refer to Upgrades list at page 58 for specific replacement parts for your equipment.

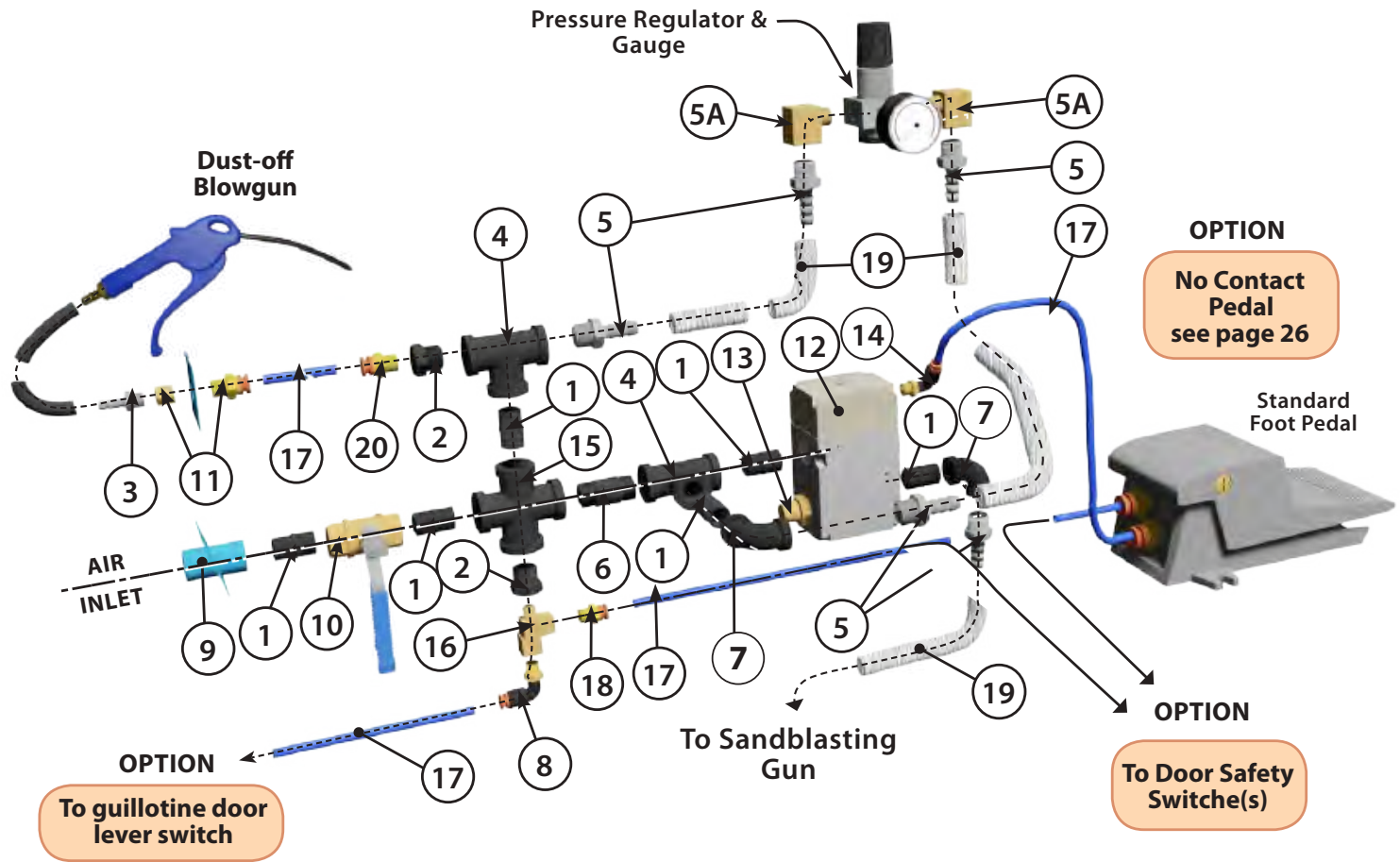
**INDUSTRIAL CABINET "M" SERIES SUCTION: EXPLODED VIEW & PARTS (SINCE 2022)**



#	Part #	DESCRIPTION
1	603212	Gloves with nylon sleeves, 8" Ø ID x 30" lenght
	603205	Gloves with leather sleeves (Optional)
2	624128	8" Ø Gloves Clamp
3	610120	G5 CN2-5 Gun (see page 14)
4	610288	Standard Door Handle
5	610275	Dust-off Blowgun
6	606147	¼" Multipur. Hose (sold by foot)
7	611022	½" Pressure Gauge
8	610345	Complete Foot Pedal (see page 31)
9	606104	½" Air Hose
10	611022	¼" Pressure Regulator
11	606120	5" – 600 cfm Abrasive Transport Hose
	606123	6" – 900 to 1 800 cfm Recycler Hose
12	624121	5" Hose Clip
	624124	6" Hose Clip
13	618126	½" Air Hose Grommet
14	618127	½" Abrasive Hose Grommet
16		½" Complete Suction Tree (see page 17)
17	606148	½" Multipur. Hose (sold by foot)
18	324571	¼" Blue poly. Tube
	606169	6" – 600 cfm Suction Hose
	606171	7" – 900 cfm Suction Hose
19	606173	8" – 1200 cfm – 1800 cfm Suction Hose
	624124	6" Ø Hose Clip
	624127	7" Ø Hose Clip
20	624128	8" Ø Hose Clip
	608010	AR¾ Abrasive Regulator
	608011	AR¾ Clip
23	939143	AR¾ Abrasive Regulator plastic threaded plug
24	632960	¾" FPT x ½" Adaptor
25	630505	SP ¾" x 3" lg. Nipple
26	917863	AJC 20A - 250V Fuse
	616907	Fuse Holder
27	617014	ON/OFF Switch for Automatic Shacker
28	617161	24" Lighting c/w LED (cabinet less than 48")
	617160	48" Lighting c/w LED (cabinet 48" and more)
29	610212	23 ¾" x 18 ¾" Safety Laminated Glass (cabinet less
	610211	17" x 48" Safety Laminated Glass (cabinet 48" and
	618318	½" x ¼" Window Seal (sold by foot)
30	613038	RPW 50 – 23 ¾" x 18 ¾" Protective Visor
	613035	RPW 1748 Protective visor (cabinet more than 48")
31	910223	Toggle Stem Rod
32	618322	« P » Type Rubber for door (sold by foot)
33	600116	OPTION : Complete Door Security Switch
34A	603217	Gloves with nylon sleeves, 8" Ø ID x 30" lenght
34B	603218	Large Leather Gloves Sleeves 10" ID x 30" Lg.

35	624137	10" Hose Clamp for large gloves
36	610453	28" x 44"
	610458	36" x 36"
	610459	36" x 48"
	610462	42" x 48"
	610463	48" x 48"
	610469	48" x 60"
610465	60" x 60"	
		Expanded Metal Floor Cabinet
		

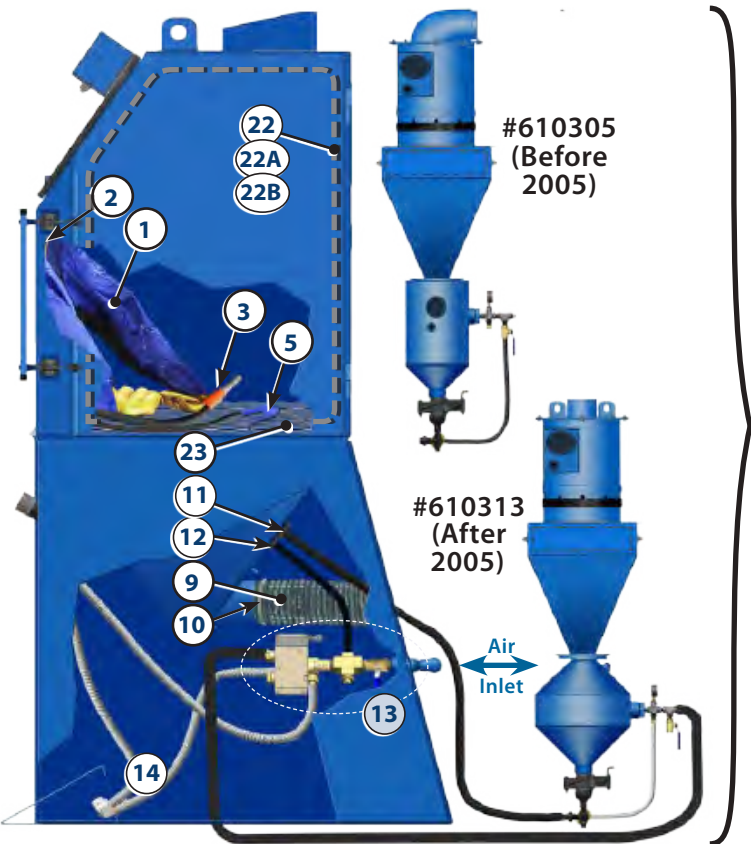
**INDUSTRIAL CABINET "M" SERIES SUCTION (SINCE 2022)) - 1/2" STD PNEUMATIC TREE**



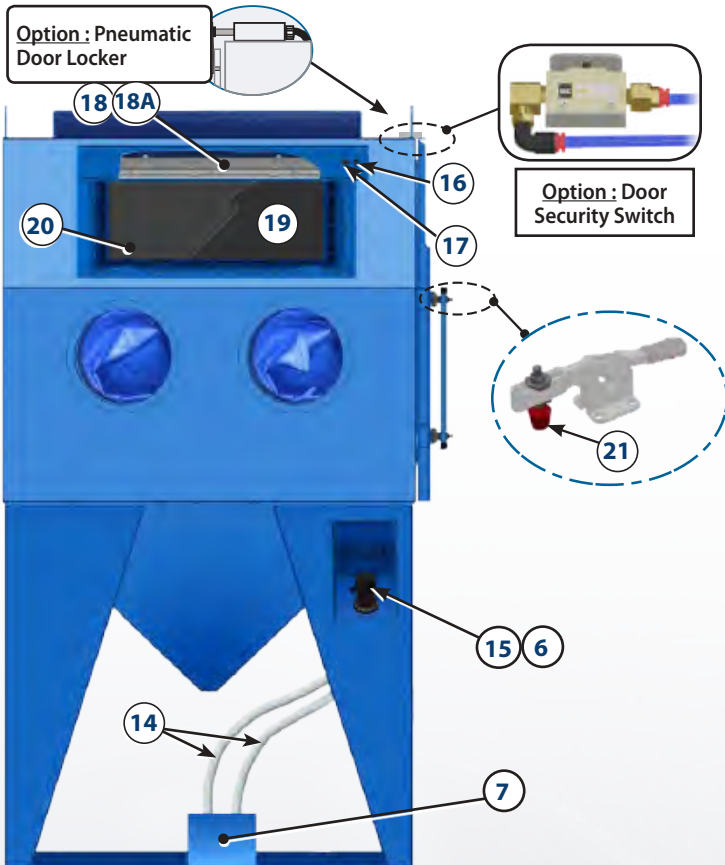
**PARTS LIST**

#	Part #	DESCRIPTION	#	Part #	DESCRIPTION
1	630301	1/2" NPT Nipple	10	608102	1/2" FPT Ball Valve
2	632745	1/2" NPT x 1/4" NPT Reducer	11	324503	1/4" MTP x 1/4" TU Bulkhead Push-In
3	632270	1/4" NPT x 1/4" Hose Barb Fitting	12	608519	1/2" FPT Pilot Valve
4	630328	PA FPT 1/2" "T" Fitting	13	608287	1/2" MPT Muffler
5	632760	1/2" NPT x 1/2" Hose Barb Fitting	14	324561	1/8" NPT 1/4" TU @ 90° Push-In Fitting
5A	632730	1/2" PL MF Elbow Fitting	15	630327	1/2" Cross
6	932108	1/2" MPT x 3" Lg. Nipple	16	632226	1/4" T-Street
7	630340	1/2" FF PA Elbow	17	324571	1/4" Blue Poly. Tube
8	324560	1/4" NPT 1/4" TU @ 90° Push-In Fitting	18	324558	1/4" MTP 1/4" TU Push-In Fitting
9	610390	1/2" Inlet Ring	19	606104	1/2" Clear Nylon Hose

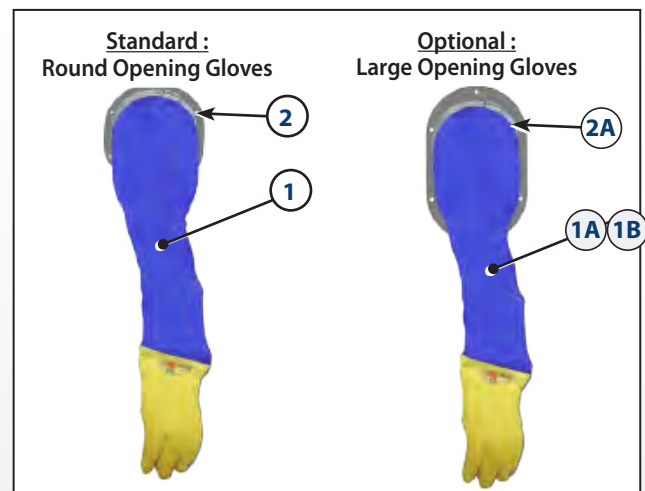
**INDUSTRIAL CABINET "M" SERIES PRESSURE: EXPLODED VIEW & PARTS (UNTIL 2022)**



8 Recyclers : see details p. 30

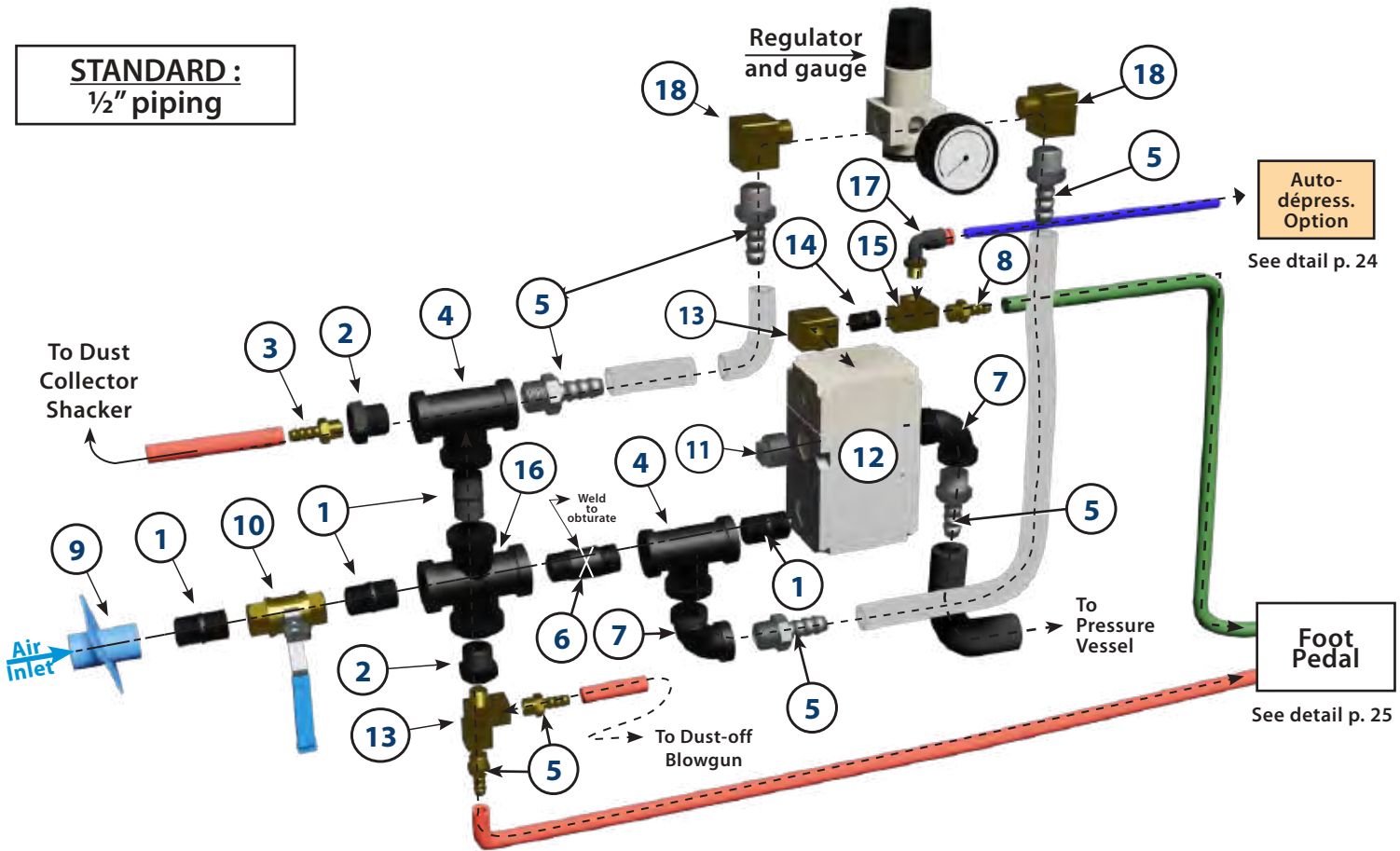


#	Part #	DESCRIPTION
1	603212	Gloves with nylon sleeves, 8" Ø ID x 30" lenght
	603205	Gloves with leather sleeves (Optional)
1A	603217	Gloves with nylon sleeves large opening W1 10" D.I. x 30" lenght
1B	603218	Gloves with leather sleeves large opening W1 10" D.I. x 30" lenght
2	624128	8" ø Gloves Clamp (standard)
2A	624137	10" ø Gloves Clamp (Optional)
3		Hoses, Nozzles & Fittings (see pages 27-28)
4	610288	Standard Door Handle
5	610275	Dust-off Blowgun
6	608022	½" Pressure Regulator
7		Complete Foot Pedal (see page 13)
8		Complete Recycler (see page 31)
9	606120	5" - 600 cfm Abrasive Transport Hose
	606123	6" - 900 to 1 800 cfm Recycler Hose
10	624121	5" Hose Clip
	624124	6" Hose Clip
11	618130	Grommet SBH-½" x 1¾"
12	618133	Grommet for ¼" Air Hose
13	666214	Pressure Pneumatic Tree (see page 19)
14	606104	½" Air Hose
15	611022	¼" Pressure Gauge
16	616933	AGC 1A - 250 V Fuse
	616907	Fuse Holder
17	617014	ON/OFF Switch for Automatic Shacker
18*	617161	24" Lighting c/w LED (cabinet less than 48") (Since 2017)
	617160	48" Lighting c/w LED (cabinet 48" and more) (Since 2017)
18 A*	617150	24" Neon Tube (cabinet less than 48") (Before 2017)
	617151	48" Neon Tube (cabinet 48" and more) (Before 2017)
19*	610212	23 ¾" x 18 ¾" Safety Laminated Glass (cabinet less than 48")
	610211	17" x 48" Safety Laminated Glass (cabinet 48" and more)
	618318	½" x ¼" Window Seal (sold by foot)
20	613038	RPW 50 - 23 ¾" x 18 ¾" Protective Visor
	613035	RPW 1748 Protective visor (cabinet more than 48")
21	910223	Toggle Stem Rod
22	618322	« P » Type Rubber for door (sold by foot)
22A	618315	Rubber for grooved door
22B	910223	Black Rubber for door (bumper)
23	610453	28" x 44"
	610458	36" x 36"
	610454	36" x 48"
	610462	42" x 48"
	610463	48" x 48"
	610469	48" x 60"
610465	60" x 60"	
24	600116	OPTION : Complete Door Security Switch



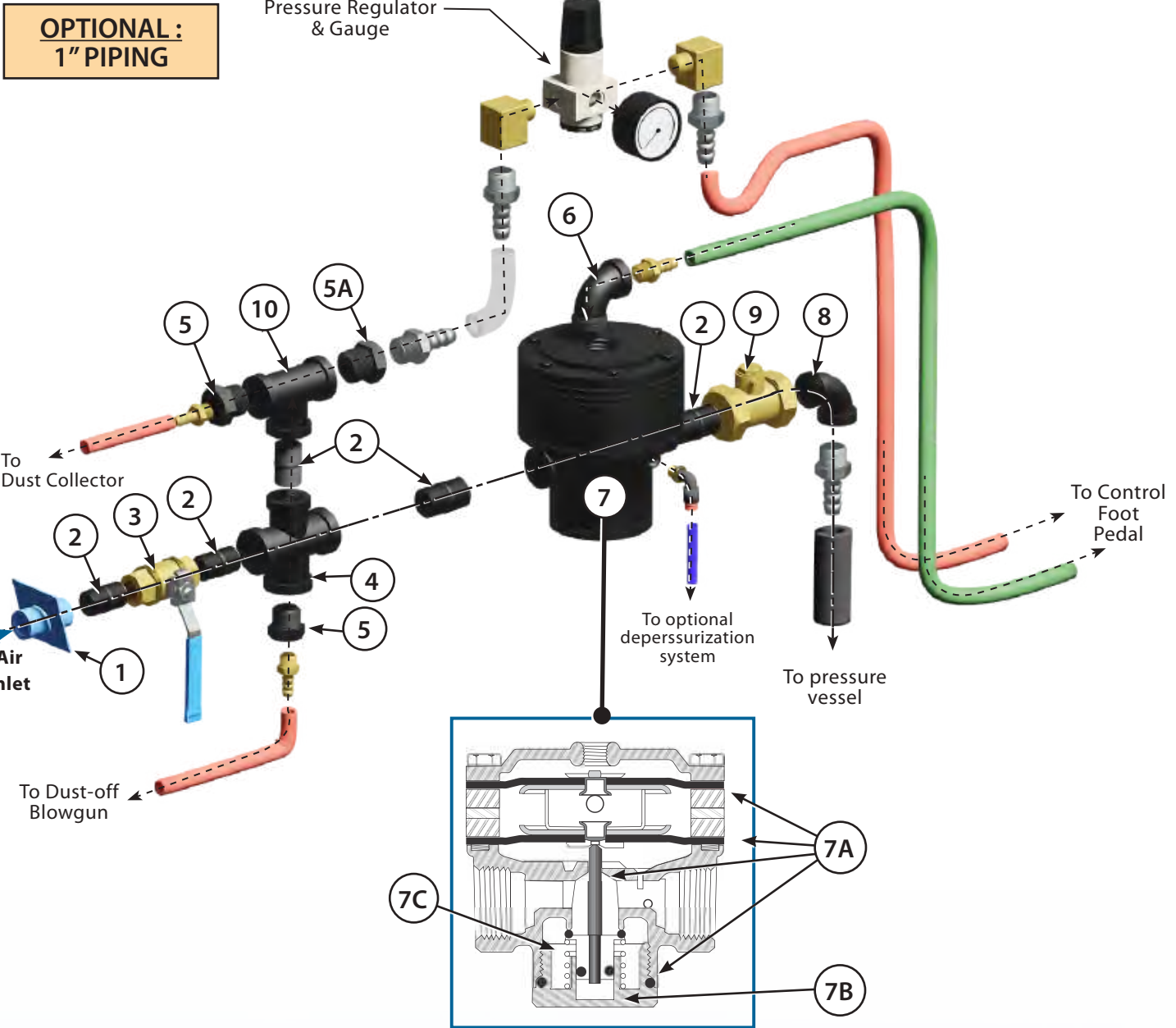
\* Refer to the list of updates on pages 85 and 86 for spare parts relating to your equipment.

**M PRESSION SERIES INDUSTRIAL CABINET (UNTIL 2022): PNEUMATIC TREE**



#	Part #	DESCRIPTION
1	630301	1/2" MPT Nipple
2	632745	1/2" MPT x 1/4" FPT Reducer
3	632270	1/4" FPT x 1/4" Hose Fitting
4	630328	MF 1/2" FPT "T"
5	632760	1/2" MPT x 1/2" Hose Fitting
6	630317	1/2" MPT x 2" lg Closed Nipple
7	630341	1/2" MPT-FPT Elbow
8	632273	1/8" MPT x 1/4" Hose Fitting
9	610390	Inlet Ring
10	608102	1/2" Ball Valve
11	630361	1/2" MPT Plug
12	608519	Pilot Valve (see details page 13)
13	632226	1/4" NPTF - 1/4" NPTM - 1/4" NPTF Brass T-Street
14	632002	1/8" Nipple
15	632018	1/8" PL "T"
16	630327	1/2" Cross
17	324561	90° 1/8" MPT 1/4" TU Push-in Fitting
18	632026	1/8" PL 90° MF Elbow

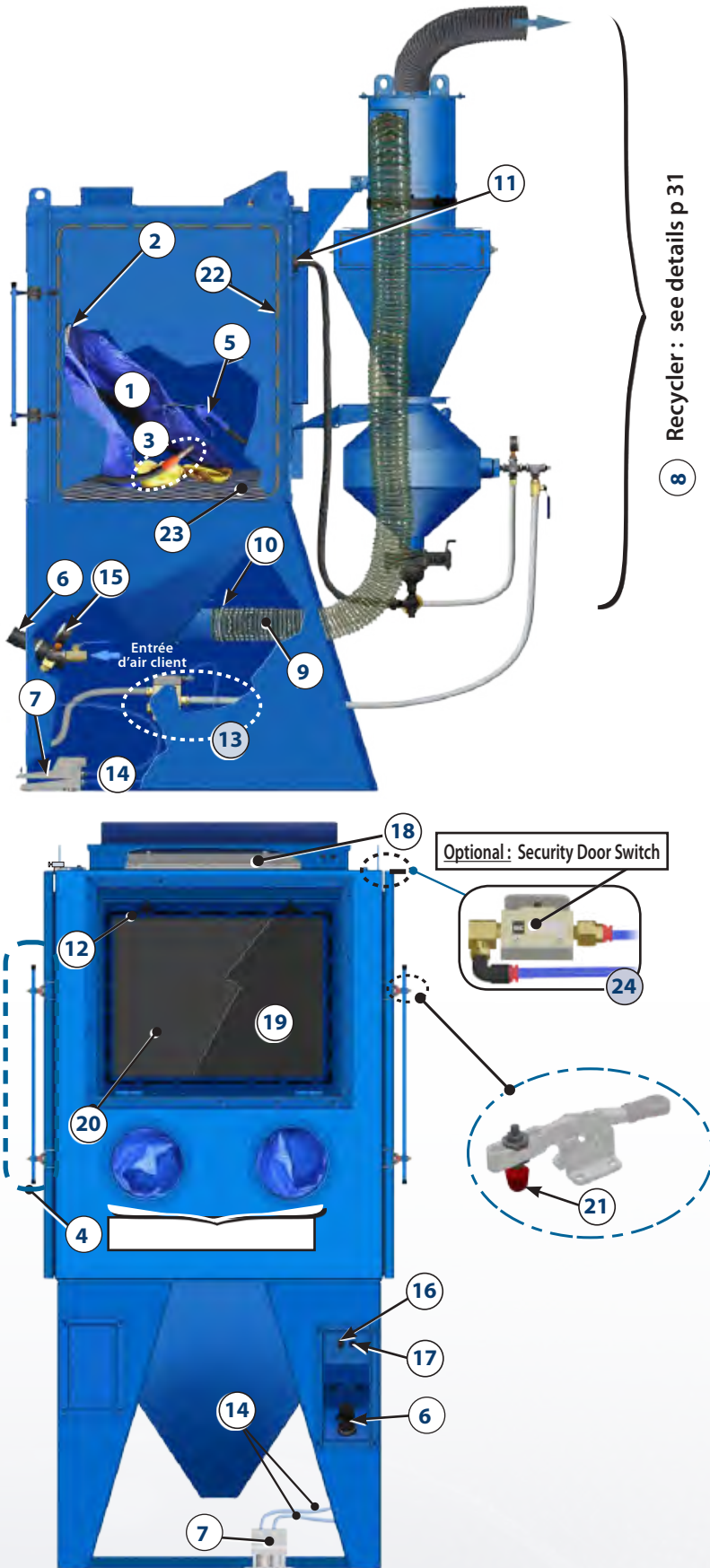
**M PRESSION SERIES INDUSTRIAL CABINET (UNTIL 2022): PNEUMATIC TREE (CON'D)**



#	Part #	DESCRIPTION
1	610387	1" Inlet Ring
2	630601	1" Nipple
3	608104	1" Ball Valve
4	630629	1" Connexion Cross
5	630653	1" x 1/4" Reducer
5A	630651	1" x 1/2" Reducer
6	632232	1/4" F x 1/4" MF @ 90° Elbow

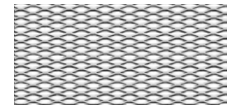
#	Part #	DESCRIPTION
7	608069	1" WATTS valve complete ass'y
7A	608064	ASSEMBLY: Ass'y. T. & B. Diaphragm - Ass'y Disc (Plug) - "O-Ring" Bottom Connector
7B	608066	Bottom Connector
7C	608071	Spring (Return)
8	630641	1" MF Elbow
9	608204	1" Check Valve
10	630630	1" PA T-Street

**INDUSTRIAL CABINET "M" SERIES PRESSURE: EXPLODED VIEW & PARTS (SINCE 2022)**



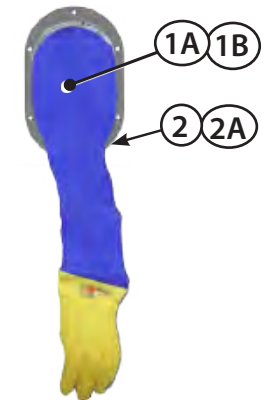
#	Part #	DESCRIPTION
1	603212	Gloves with nylon sleeves, 8" Ø ID x 30" length
	603205	Gloves with leather sleeves (Optional)
1A	603217	Gloves with nylon sleeves large opening W1 10" D.I. x 30" length
1B	603218	Gloves with leather sleeves large opening W1 10" D.I. x 30" length
2	624128	8" Ø Gloves Clamp (standard)
2A	624137	10" Ø Gloves Clamp (Optional)
3		Hoses, Nozzles & Fittings (see pages 27-28)
4	610288	Standard Door Handle
5	610275	Dust-off Blowgun
6	608022	½" Pressure Regulator
7		Complete Foot Pedal (see page 13)
8		Complete Recycler (see page 31)
9	606120	5" - 600 cfm Abrasive Transport Hose
	606123	6" - 900 to 1 800 cfm Recycler Hose
10	624121	5" Hose Clip
	624124	6" Hose Clip
11	618130	Grommet SBH-½" x 1 3/16"
12	940025	3 tips Star Knob 5/16" - 18 Female
13	666214	Pressure Pneumatic Tree (see page 22)
14	324571	¼" Blue Poly. Hose
15	611022	¼" Pressure Gauge
16	616933	AGC 1A - 250 V Fuse
	616907	Fuse Holder
17	617014	ON/OFF Switch for Automatic Shacker
18	617161	24" Lighting c/w LED (cabinet less than 48") (Since 2017)
	617160	48" Lighting c/w LED (cabinet 48" and more) (Since 2017)
19	610212	23 ¾" x 18 ¾" Safety Laminated Glass (cabinet less than 48")
	610211	17" x 48" Safety Laminated Glass (cabinet 48" and more)
20	618318	½" x ¼" Window Seal (sold by foot)
	613038	RPW 50 - 23 ¾" x 18 ¾" Protective Visor
	613035	RPW 1748 Protective visor (cabinet more than 48")
21	910223	Toggle Stem Rod
22	618322	« P » Type Rubber for door (sold by foot)
23	610453	28" x 44"
	610458	36" x 36"
	610454	36" x 48"
	610462	42" x 48"
	610463	48" x 48"
	610469	48" x 60"
	610465	60" x 60"
24	600116	OPTION : Complete Door Security Switch

**Expanded Metal Floor Cabinet**



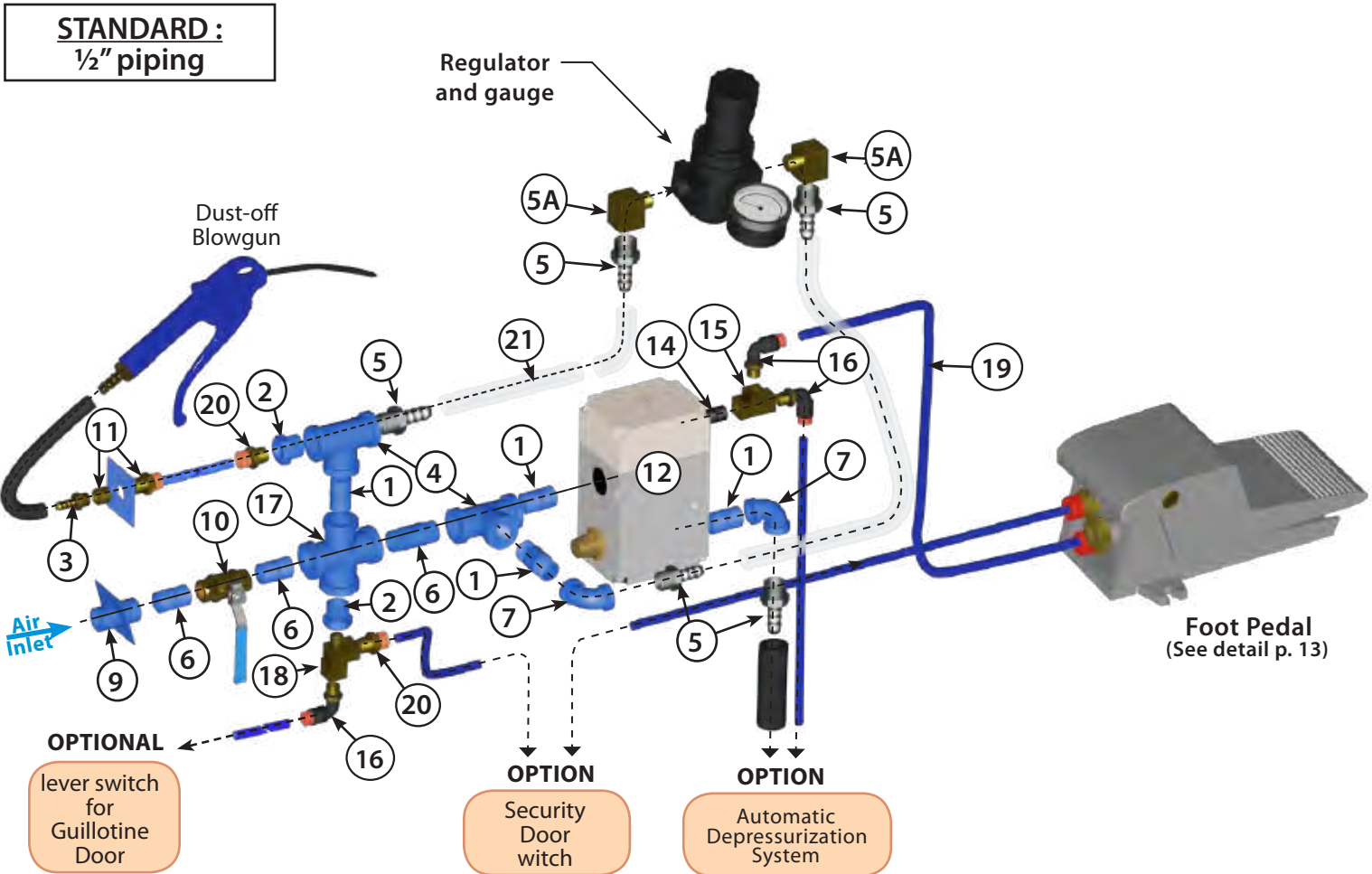
**Standard :**  
Round Opening Gloves

**Optional :**  
Large Opening Gloves



\* Refer to the list of updates on pages 85 and 86 for spare parts relating to your equipment.

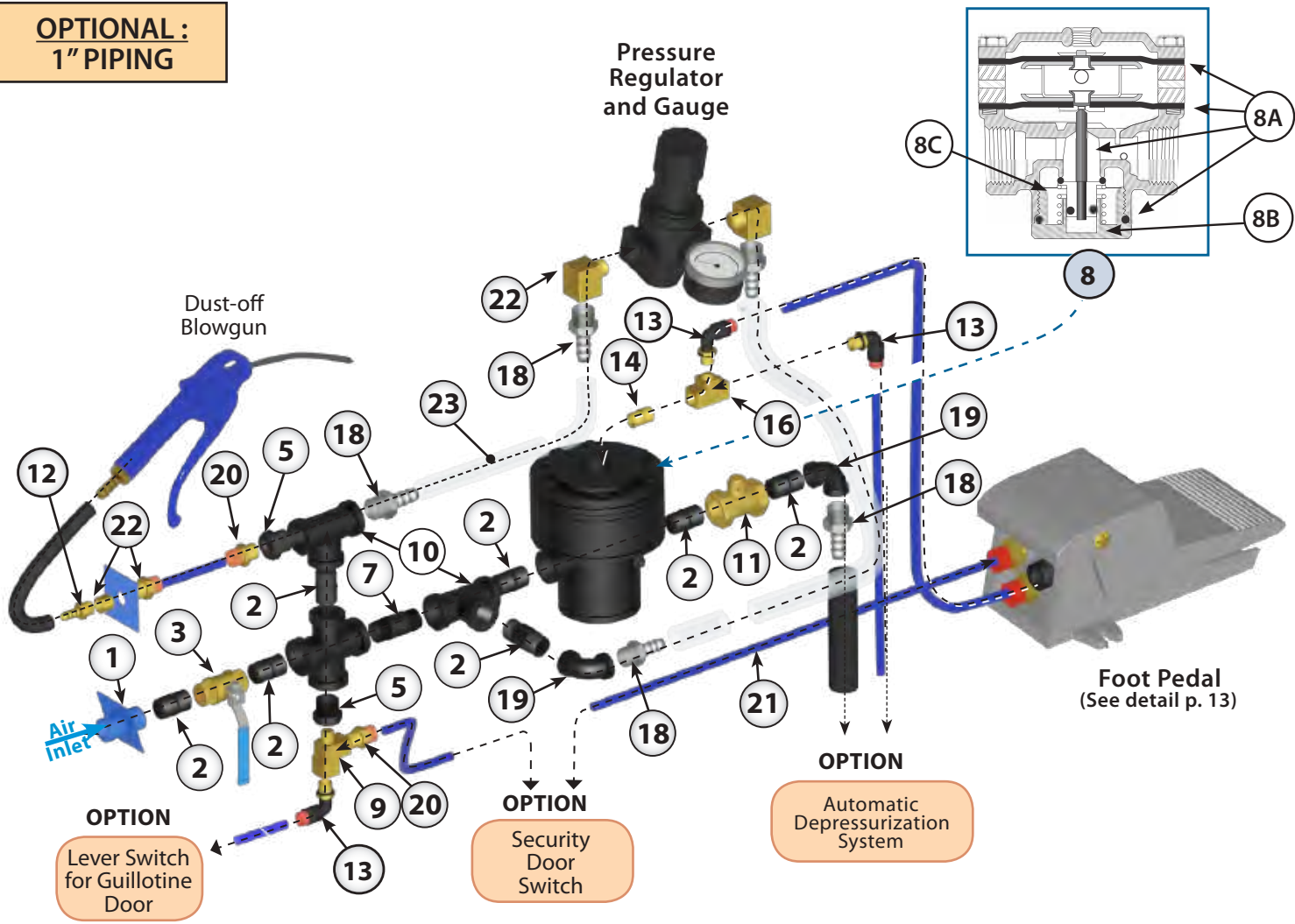
**M PRESSION SERIES INDUSTRIAL CABINET (SINCE 2022): PNEUMATIC TREE**



#	Part #	DESCRIPTION	#	Part #	DESCRIPTION
1	630301	1/2" MPT Nipple	11	324503	1/4" MTP x 1/4" TU Bulkhead Push-in
2	632745	1/2" MPT x 1/4" FPT Reducer	12	608519	1/2" Pilot Valve (see details p. 13)
3	632270	1/4" FPT x 1/4" Hose Fitting	13	608287	1/2" MPT Muffler
4	630328	MF 1/2" FPT "T"	14	632002	1/8" Hex. Nipple
5	632760	1/2" MPT x 1/2" Hose Fitting	15	632018	1/8" PL T-Street
5A	632730	1/2" PL MF Elbow Fitting	16	324561	1/8" NPT 1/4" TU @ 90° Push-in Fitting
6	932108	1/2" MPT x 3" Lg. Nipple	17	630327	1/2" Cross
7	630340	1/2" FF PA Elbow	18	632226	1/4" T-Street
8	324560	1/4" NPT 1/4" TU @ 90° Push-in Fiting	19	324571	1/4" Blue Poly. Tube
9	610390	1/2" Inlet Ring	20	324558	1/4" MTP 1/4" TU Push-in Fitting
10	608102	1/2" FPT Ball Valve	21	606104	1/2" Clear Nylon Hose

**M PRESSION SERIES INDUSTRIAL CABINET (SINCE 2022): PNEUMATIC TREE (CONT'D)**

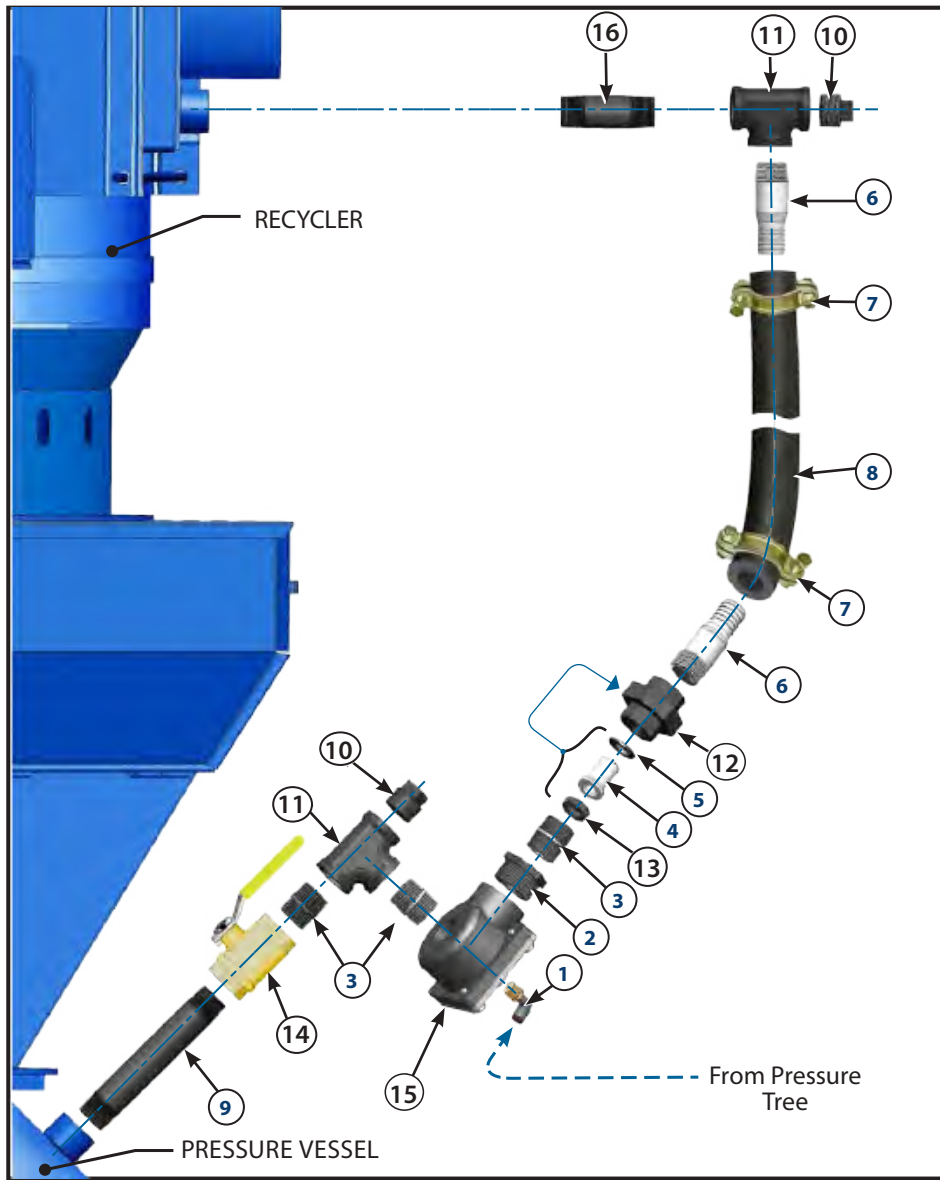
**OPTIONAL:  
1" PIPING**



#	Part #	DESCRIPTION
1	610387	1" Inlet Ring
2	630601	1" Nipple
3	608104	1" Ball Valve
4	630629	1" Cross Fitting
5	630653	1" x 1/4" Reducer
6	632232	1/4" F x 1/4" M Elbow Fitting
7	630605	1" x 3" Lg. Nipple
8	608069	1" WATTS Valve (Complete Ass'y)
8A	608064	Kit : Assembl. Diaphragm H. & B. - Ass. disc (Pop Pet) O-Ring, Valve Plug.
8B	608066	1" - 1 1/4" WATTS Valve Plug
8C	608071	Recall Spring
9	632226	1/4" T-Street

#	Part #	DESCRIPTION
10	630630	1" PA T-Street
11	608204	1" Check-Valve
12	632270	1/4" NPT x 1/4" Hose Barb Fitting
13	324560	1/4" NPT 1/4" TU @ 90° Push-in Fitting
14	632002	1/8" Hex. Nipple
15	324561	1/8" NPT 1/4" TU @ 90° Push-in Fitting
16	632018	1/8" PL Brass T
17	606104	1" x 1/2" Reducer
18	630690	1" Hose Barb Fitting
19	630641	1" Elbow Fitting
20	324558	1/4" MTP 1/4" TU Push-in Fitting
21	324571	1/4" Blue Poly. Tube
22	324503	1/4" MTP x 1/4" TU Bulkhead Push-in
23	606104	1/2" Clear Nylon Hose

**AUTO-DEPRESSURIZATION SYSTEM FOR M PRESSURE SERIES CABINET**

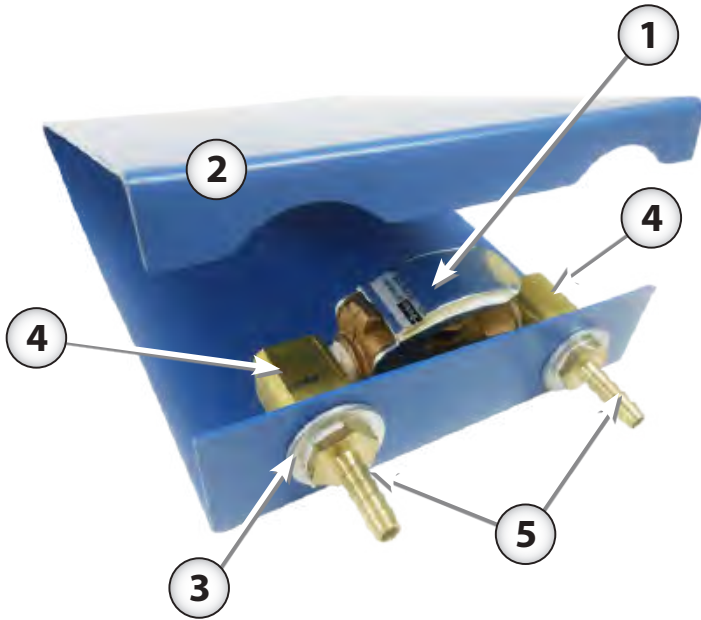


#	Part #	DESCRIPTION
1	324560	1/4" @ 90° Push-in Fitting
2	630860	PA 1 1/4"x1" Reducer (included with #15)
3	630624	1" ced. 80 PA Nipple
4	605011	BN2-5 Nozzle
5	618110	G5 O-Ring
6	630690	PA 1" PA Adapter
7	607087	1 1/4" Double Bolt Hose Clamp
8	606005	1" SBH Hose (sold by foot)

#	Part #	DESCRIPTION
9	630605	1"ø x 7" PA Nipple
10	630671	1" PA Male Plug
11	630630	1" PA T-Street
12	630680	1" PA Union
13	610070	Spacer Ring
14	608104	1" Ball Valve
15	608611	1" FPT Depressurization Valve
	608612	Diaphragm for 608611
16	630605	PA 1"ø x 3" Nipple

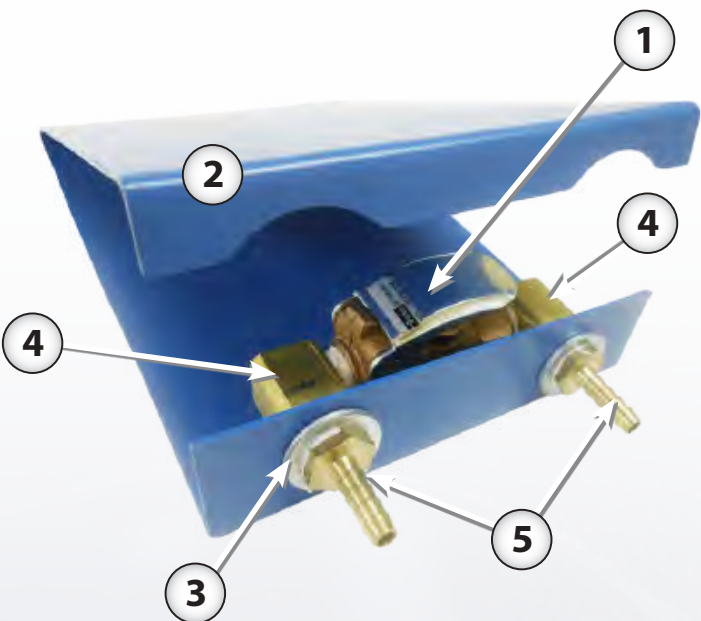
**FOOT CONTROL PEDAL (UNTIL 2022)**

**A FOR ECAB, M SUCTION SERIE**



<b>A</b>	<b>610270</b>	<b>Complete 2-way pneumatic pedal</b>
<b>1</b>	608604	3/8" Two-way pedal valve
<b>2</b>	610268	Frame
<b>3</b>	610274	E3 Washer
<b>4</b>	632551	3/8" @ 90° MF PL Elbow
<b>5</b>	632761	3/8" MPT x 1/2" hose PL Adaptor

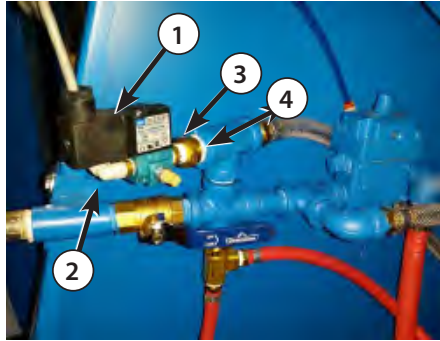
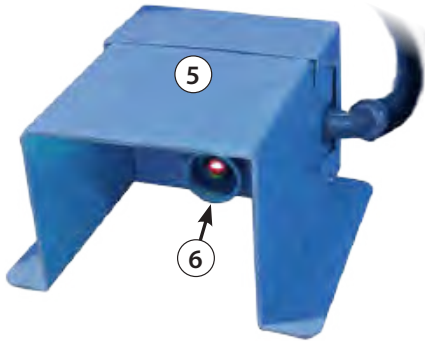
**A FOR M PRESSURE SERIE**



<b>A</b>	<b>610315</b>	<b>Complete 3-way pneumatic pedal</b>
<b>1</b>	608606	3/8" Three-way pedal valve
<b>2</b>	610268	Frame
<b>3</b>	610274	E3 Washer
<b>4</b>	632551	3/8" @ 90° MF PL Elbow
<b>5</b>	632591	3/8" MPT x 1/4" hose PL Adaptor

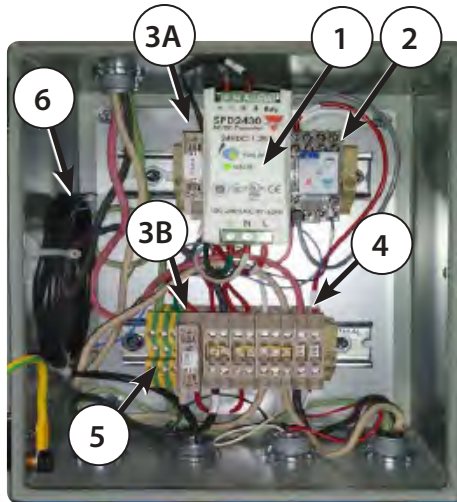
**SANDBLASTING CABINETS: NO-CONTACT FOOT PEDAL OPTION**

**PEDAL & PARTS TO ADD**



#	PART #	DESCRIPTION
1	608568	Solenoid Valve
2	324561	1/8" Push-in Fitting
3	632214	1/8" to 1/4" Adapter
4	632745	1/2" to 1/4" Adapter
5	910525	Complete No-contact Pedal
6	917879	Infrared Sensor Cell

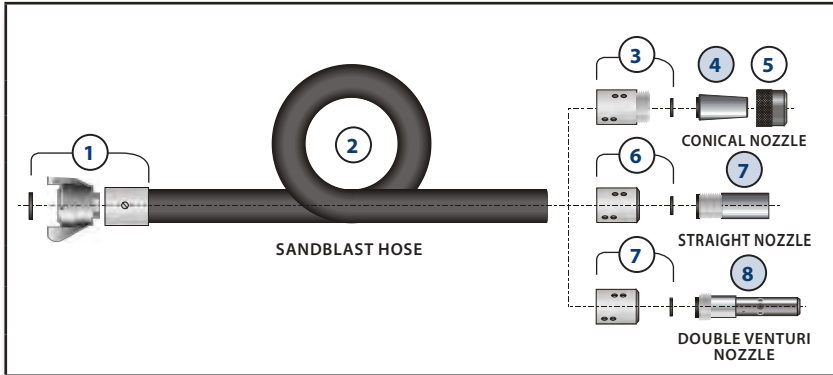
**CONTROL BOX**



#	PART #	DESCRIPTION
1	917618	24 V CC - 30 W 120/24 Power Supply
2	917877	24 V DC Relay
3A	917893	MDL. 2 A Fuse
3B	616933	AGC-1 A Fuse
4	-/-	Terminal Block
5	616865	Ground Terminal Blocks
6	917880	5 M Sensor Cable


## SANDBLASTING CABINETS - HOSES, COUPLINGS & NOZZLES

### HOSE, COUPLINGS & NOZZLES




1	607012	1/2" CQ Coupling
2	607020	1/2" SBH SANDBLAST HOSE
3	607059	NC3-N3 1/2" x 1" NPT
4	<b>CONICAL NOZZLE</b>	
5	607040	NA-1" Adaptor 1" NPT
6	607057	NH-1/2" Adaptor 3/4" NPS
7	607056	NH-1/2" Adaptor 1 1/4" NPS
8	<b>STRAIGHT THREADED NOZZLE 3/4" NPS</b>	
9	<b>DOUBLE VENTURI NOZZLE 1 1/4" NPS or 50mm</b>	


### BULK SANDBLAST HOSES (LENGTH OF 12.5', 25' & 50' ONLY)

	PART NB.	MODEL	INSIDE DIAMETER	OUTSIDE DIAMETER
	606020	SBH-1/2	1/2"	1 3/16"

### HOSES FITTINGS



	PART NB.	MODEL	INSIDE DIAMETER	OUTSIDE DIAMETER
 (CHICAGO)	607002	QC-1/2	1/2"	1 3/16"

### THREADED NOZZLE FITTINGS



	MODEL	HOSE I.D.	THREAD		
			3/4" NPS	1 1/4" NPS	50 mm
	NH-1/2	1/2"	607057	607056	* 407022

**SANDBLASTING CABINETS - HOSES, COUPLINGS & NOZZLES (CONT'D)**


**CONICAL NOZZLE**

#	TYPE	PART No	MODEL	ORIFICE	LENGTH	THREAD
④	 DC2-F - TUNGSTEN CARBIDE	605302	DC2-F2	1/8" Ø	1-5/8"	N/A
		605303	DC2-F3	3/16" Ø		
		605304	DC2-F4	1/4" Ø		
	 BN2-F - BORON CARBIDE	605308	BN2-F2	1/8" Ø		
		605309	BN2-F3	3/16" Ø		
		605310	BN2-F4	1/4" Ø		

**STRAIGHT THREADED NOZZLE**

⑧	 DC1 - TUNGSTEN CARBIDE	605358	DC1-2	1/8" Ø	1-3/4"	3/4" - 1/4" N.P.S.
		605359	DC1-3	3/16" Ø		
		605360	DC1-4	1/4" Ø		
		605361	DC1-5	5/16" Ø		
	 BC1 - BORON CARBIDE	605414	BC1-2	1/8" Ø		1 1/4" N.P.S.
		605415	BC1-3	3/16" Ø		
		605416	BC1-4	1/4" Ø		
		605417	BC1-5	5/16" Ø		

**DOUBLE VENTURI NOZZLE**

⑨	 DOUBLE VENTURI NOZZLE	405463	# 3	3/16" Ø	4 1/16"	50 mm
		405464	# 4	1/4" Ø	5 5/16"	
		405465	# 5	5/16" Ø	6 1/16"	
		405466	# 6	3/8" Ø	6 1/8"	
		405467	# 7	7/16" Ø	8 15/32"	
		405468	# 8	1/2" Ø	9 1/16"	

**TUNGSTEN CARBIDE**

Part Nb	Model	Orifice	Lenght
605203	DCV-3	3/16" Ø	4 1/4"
605204	DCV-4	1/4" Ø	5 1/4"
605205	DCV-5	5/16" Ø	6"
605206	DCV-6	3/8" Ø	6 3/4"
605207	DCV-7	7/16" Ø	8"
605208	DCV-8	1/2" Ø	9 1/4"

Threaded nozzle 1 1/4" N.P.S., 1" Ø entry venturi orifice, use with NCV, all NH- except NH - 1/2"

**BORON CARBIDE**

Part Nb	Model	Orifice	Lenght
605454	BCV-4	1/4" Ø	4 1/8"
605455	BCV-5	5/16" Ø	4 1/8"
605456	BCV-6	3/8" Ø	4 1/8"

Threaded nozzle 1 1/4" N.P.S., 1" Ø entry venturi orifice, use with NCV, all NH- except NH - 1/2"

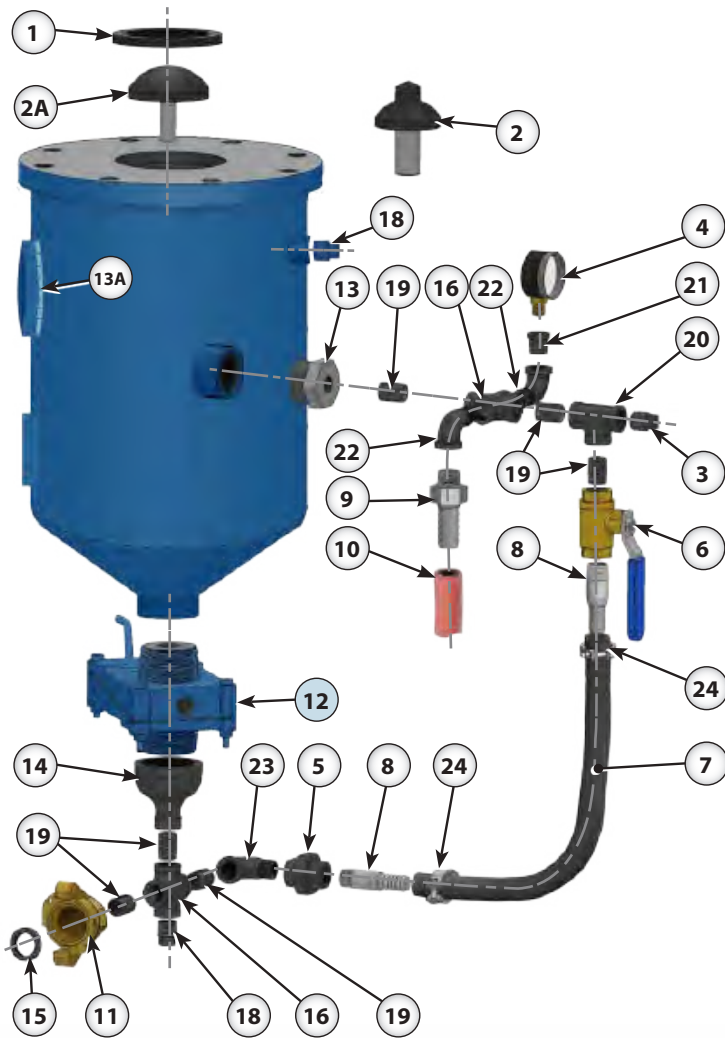
**TUNGSTEN CARBIDE**

Part Nb	Model	Orifice	Lenght
605313	DC3-3	3/16" Ø	3"
605314	DC3-4	1/4" Ø	3"
605315	DC3-5	5/16" Ø	3"
605316	DC3-6	3/8" Ø	3"

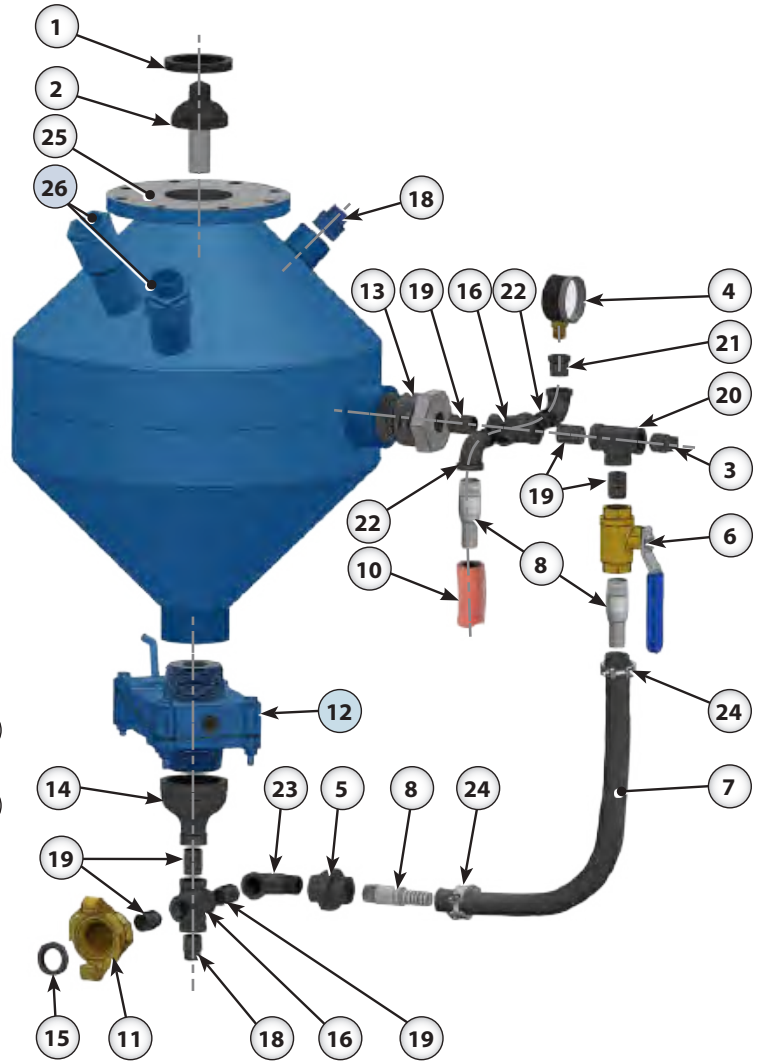
Threaded nozzle 1 1/4" - 14 N.P.S., straight orifice, use with NCV, all NH- except NH - 1/2"

### M101P TYPE PRESSURE VESSELS

#### BEFORE 2005 (610305)



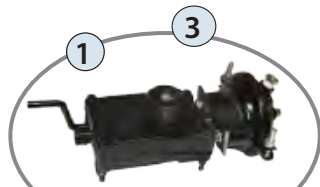
#### AFTER 2005 (610313)



#	Part #	DESCRIPTION
1	618205	O-Ring
2	610040	Plunger (after 2005)
2A	610040A	Plunger (before 2005) (replaced by 610040)
3	630361	1/2" MPT Plug
4	611022	1/4" Pressure Gauge
5	630367	1/2" FPT Union
6	608102	1/2" Ball Valve
7	606001	1/2" SBH Hose (sold by foot)
8	630372	1/2" PA Adapter
9	632771	1/2" PA Swivel Adapter
10	606148	1/2" Multipur. Hose (sold by foot)
11	607077	1/2" CFA Tank Fitting
12	608043	AR-7 Abrasive Regulator (see details p 58)
13	630651	1" x 1/2" PA Reducer

#	Part #	DESCRIPTION
13A	618209	Access Door Seal
14	631163	2" x 1/2" PA Reducer
15	618001	QCW-1 Sealing washer
16	630327	1/2" PA Cross
18	630361	1/2" PA Male Plug (before jan. 2001)
	630671	1" PA Male Plug (after jan. 2001)
19	630301	1/2" PA Nipple
20	630328	1/2" T-Street
21	630351	1/2" x 1/4" Hex. Reducer
22	630341	90° 1/2" MF PA Nipple
23	630340	90° 1/2" FF PA Nipple
24	624205	#5 "H" Clip
25	609301	1/2" - 1" Flange Hopper Adaptor
26	610311	OPTION : 2" Sight Window

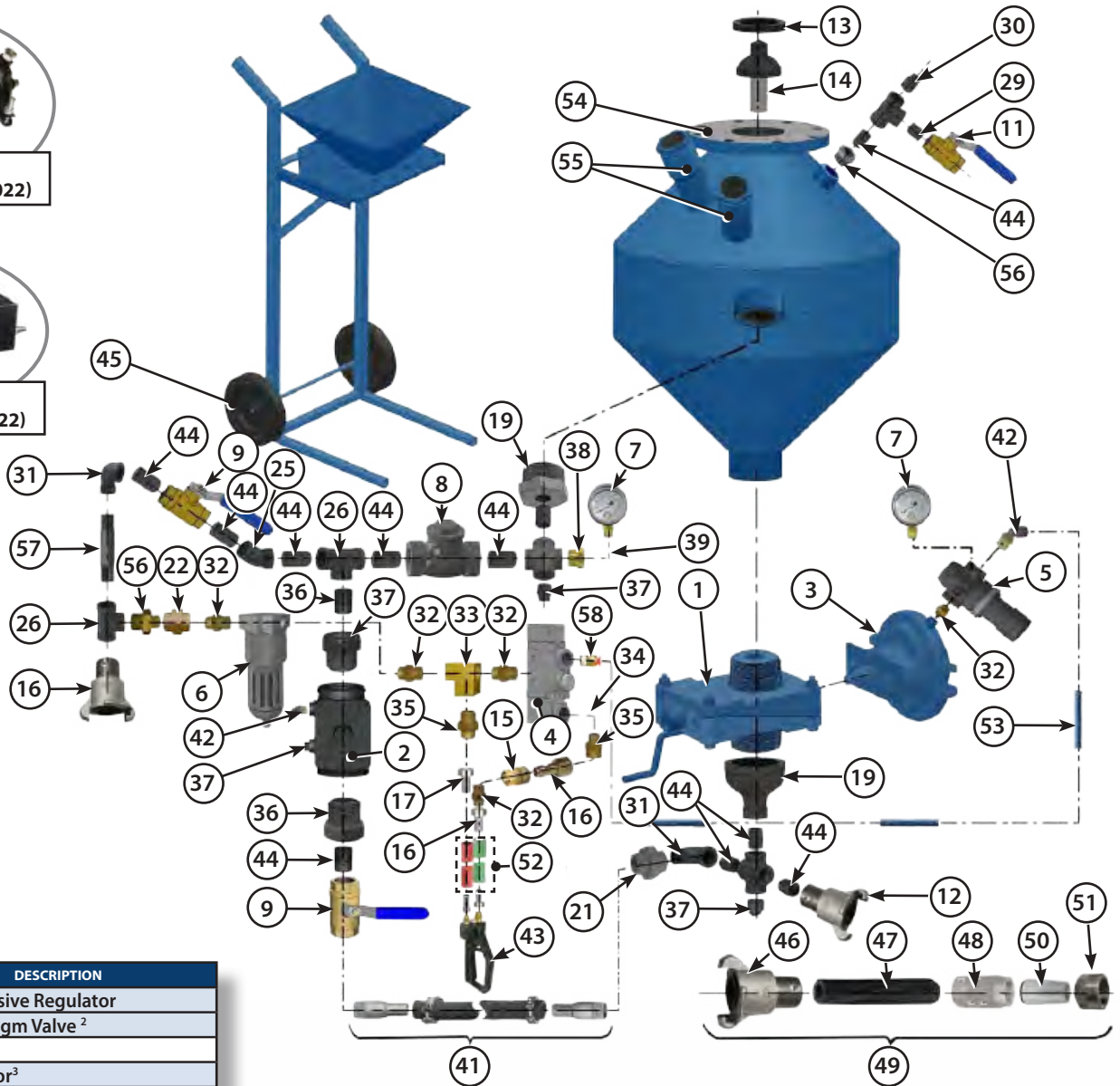
**PRESSURE VESSELS M101P-RC176**



WITH AR7 + A6 REGULATOR (UNTIL 2022)



WITH AR7 + A6 REGULATOR (SINCE 2022)



#	PART #	DESCRIPTION
1	608043	AR7 <sup>1</sup> Abrasive Regulator
2	608302	1" Diaphragm Valve <sup>2</sup>
	608332	Repair Kit
3	608482	A6 Actuator <sup>3</sup>
3A	608042	A7 Actuator
4	608534	Pilot Valve TAC3 SMC
5	608015	1/4" Mini Air Regulator
6	611035	1/4" Mini filter
7	611022	1/4" Pressure Gauge
8	608202	1/2" Poppet Valve
9	608102	1/2" Ball Valve
10	607070	TC-1/2" Tank Coupling
11	608104	1" Ball Valve
12	607077	CFA-1/2" Tank Coupling
13	610040	M101 Plunger
14	618205	M101 O-ring
15	607219	1/4" QC Female Fitting
16	607223	1/4" QC Male Fitting
17	632281	PL 1/8" B.F SW. x 1/4" ST Adapter
18	632279	PL 1/4" PIV. Swivel Adapter
19	631163	2" x 1/2" PA Reducer
20	630327	1/2" PA Cross
21	630367	1/2" Union
22	632260	1/4" PL Union
23	630330	1/2" x 1/2" x 1/4" PA T-Street

#	PART #	DESCRIPTION
24	630340	1/2" @ 90° PA FF Elbow
25	630346	1/2" @ 45° PA Elbow
26	630328	1/2" PA T-Street
27	630605	1" x 3" PA Nipple
28	630630	1" PA T-Street
29	630601	1" PA Nipple
30	630671	1" PA Male Plug
31	630341	90 MF 1/2" PA Elbow
32	632202	1/4" 122B PL Hex. Nipple
33	632226	1/4" PL T-Street
34	632026	1/8" MF Elbow
35	632214	1/4" to 1/8" PL Hex. Nipple Reducer
36	630651	1" M @ 1/2" FPA Nipple
37	630361	1/2" Male Plug
38	630351	1/2" x 1/4" PA Hex. Reducer
39	632232	1/4" MF Elbow
40	630305	1/2" x 3" PA Nipple
41	610325	SBH Push Hose Kit
42	324560	1/4" @ 90 QKL07-355 Push-in Fitting

1, 2, 3 See parts details page 58

#	PART #	DESCRIPTION
43	608800	Control Handle (RC76 n° 630301)
44	630301	1/2" PA Nipple
45	619002	Plastic Wheel
46	607012	CQA 1/2" Exterior Fitting
47	606001	1/2" SHB Hose (sold by foot)
48	607059	NC3-N3 1/2" x 1" NPT Nozzle Fitting
49	606057	1/2" x 25' CQA 1/2" - NCN3 1/2" SHB Hose
50	605303	DC2 F3 Standard Nozzle
51	607040	NA1 1" NPT Nozzle Adaptor
52	606191	30' lg. Double Control Hose
53	324571	1/4" Blue Poly. Tube
54	609301	Flange Hopper Recycler
55	610311	OPTION : 2" Sight Windows
56	630351	1/4" @ 1/2" Reducer
57	630317	1/2" x 3" lg. Nipple
58	324558	1/4" Push-in Fitting

## M SERIES - RECYCLING BY CYCLONIC SEPARATOR

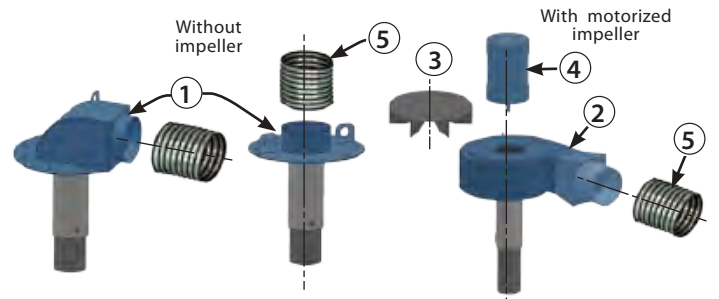
### COMPLETE RECYCLER

Cabinet Type	Outlet Type	13"	16"	24"
Suction	Fan with motor	609188	609190	609192
	Case without impeller	609242	609244	609246
Pressure	Fan with motor	609189	609191	609193
	Case without impeller	609243	609245	609247



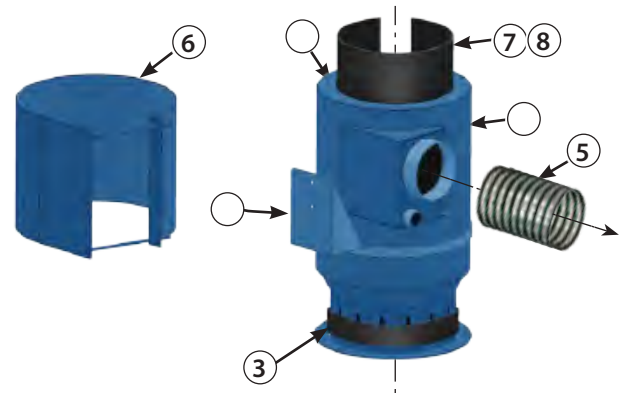
### OUTLET CASE TO DUST COLLECTOR

#	Description	13"	16"	24"
1	Outlet Case	609212	609213	609214
2	Fan with motor	609202	609203	609204
3	Impeller	610526	610527	610528
4	Motor	1 hp 616313	2 hp 616324	3 hp 616332
5	Suction hose*	606169	606171	606173



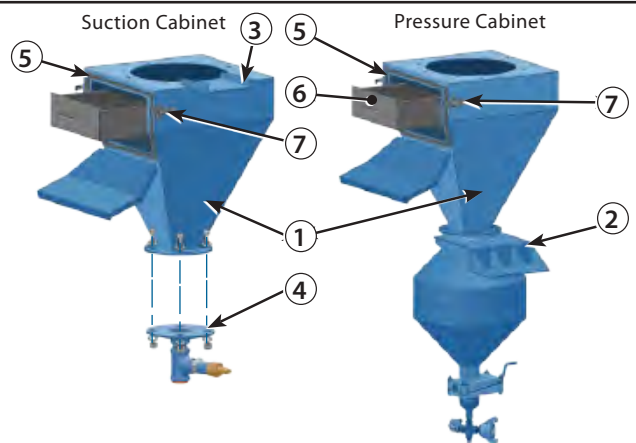
### CYCLONIC SEPARATOR

#	Description	13"	16"	24"
1	Body	609230	609231	609232
2	Support	609180	609181	609182
3	Rubber Band	618334 (length : 41")		
4	Self-Adhesive Rubber*	618318		
5	Abrasive Conveyor Hose*	606120	606123	606124
6	Exterior Wear Pad Option	609283	609284	609285
7	Full internal reinforcement	609290	609291	609292
8	Partial internal reinforcement	609272	609273	609274



### STORAGE HOPPER

#	Description	13"	16"	24"
1	Body	609286		
2	Support for Pressure	609197	S/O	
3	Support for Suction	609178	609174	
4	Adaptor for Suction	609287		
5	Self-adhesive foam*	618305		
6	Screening Grill	609903		
7	Door Latch	610269		

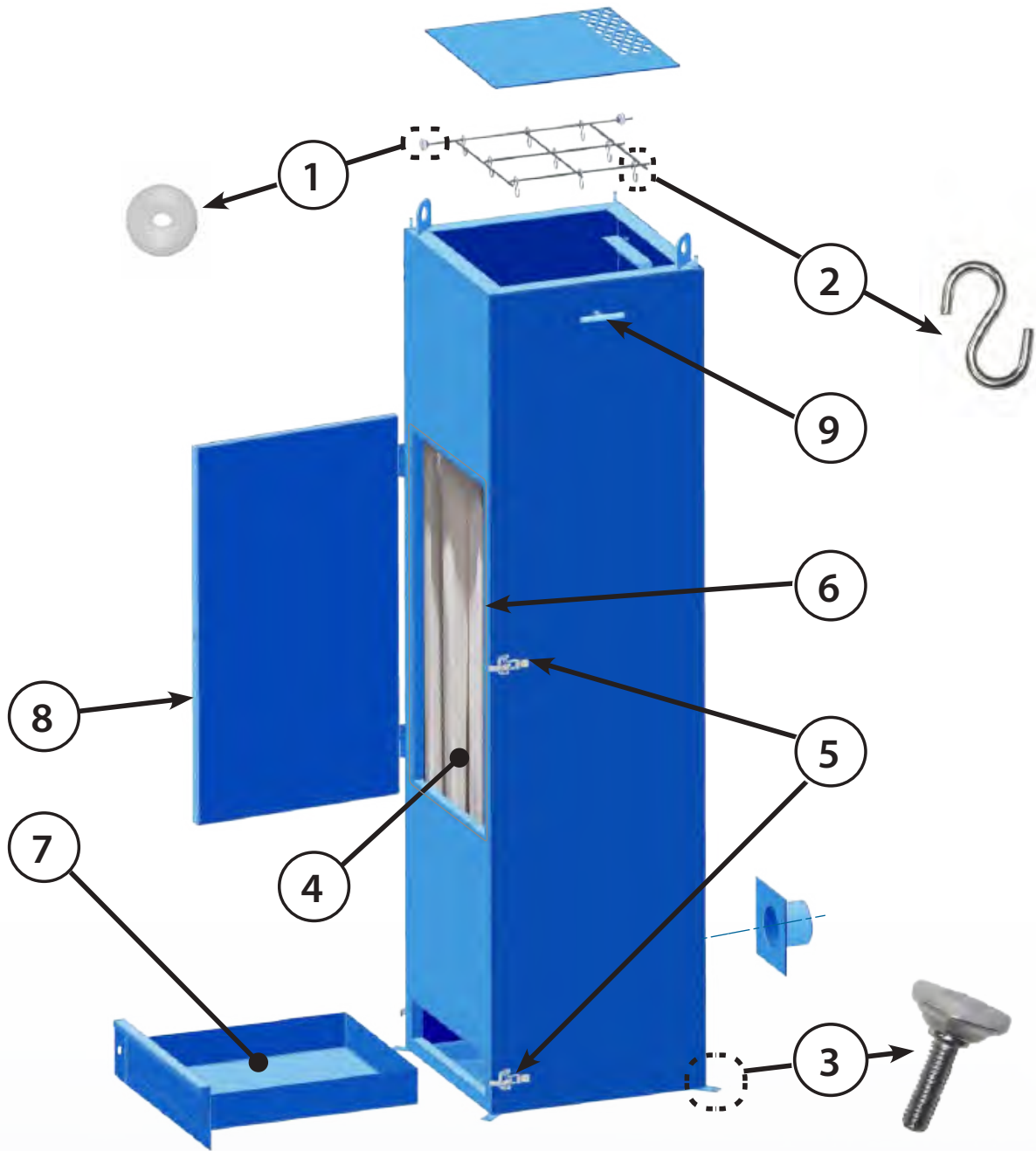


Items marked with «\*» are sold by foot

## DUST COLLECTORS



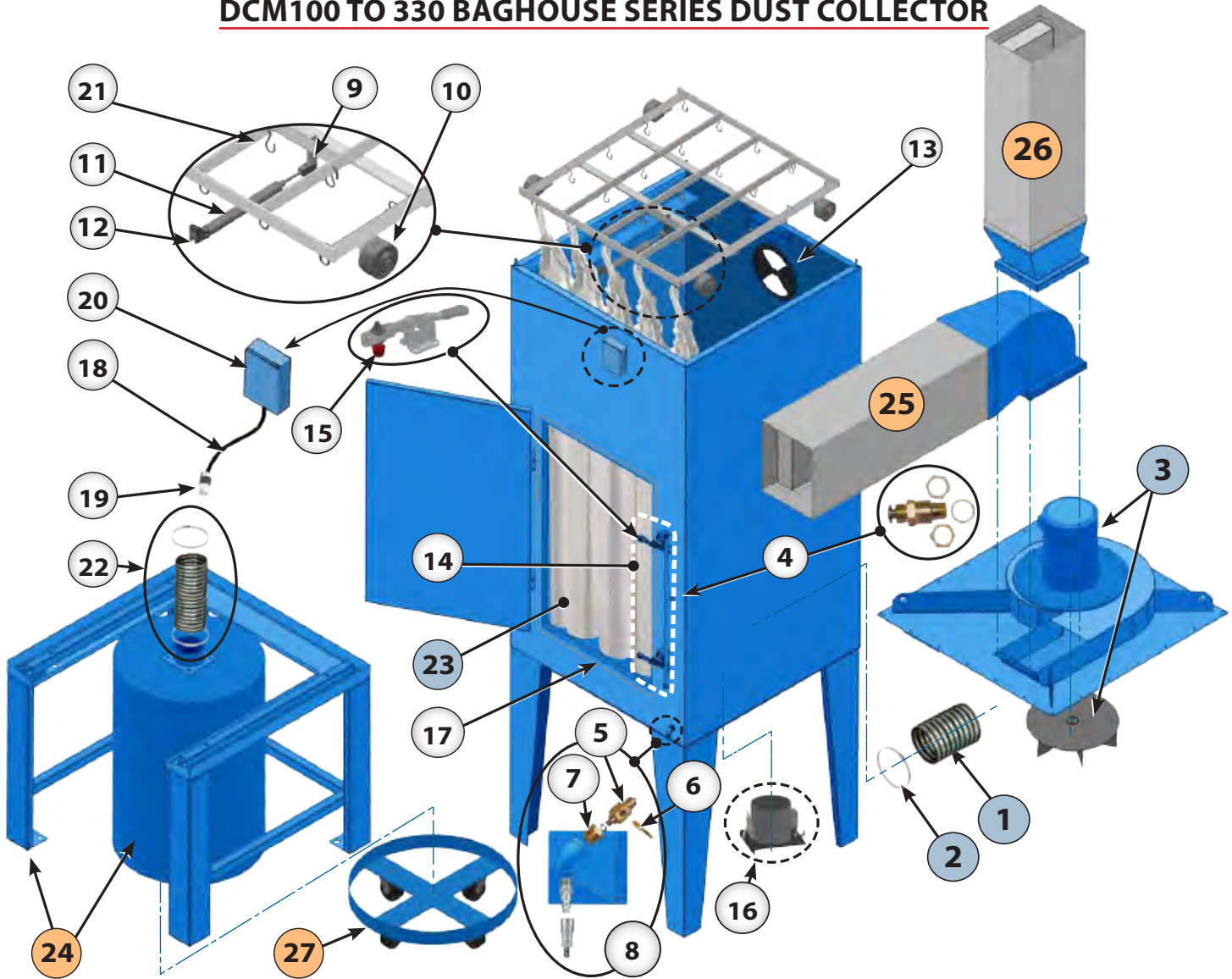
**DUST COLLECTOR SERIE DC50**



#	Part #	DESCRIPTION*	#	Part #	DESCRIPTION*
1	619006	ROLLER FOR BAGS RACK	6	618321	TYPE "D" RUBBER SEAL (SOLD BY FOOT)
2	601309	"S" HOOK	7	NPN	DUST DRAWER
3	612427	LEVELING LEG	8	NPN	ACCESS DOOR
4	601316	DB6HP 56"LG X 5¼" Ø DUST BAG	9	NPN	MANUAL SHAKER HANDLE
5	610269	TOGGLE STEM			

*(All items are sold by the foot or individually)*

**DCM100 TO 330 BAGHOUSE SERIES DUST COLLECTOR**

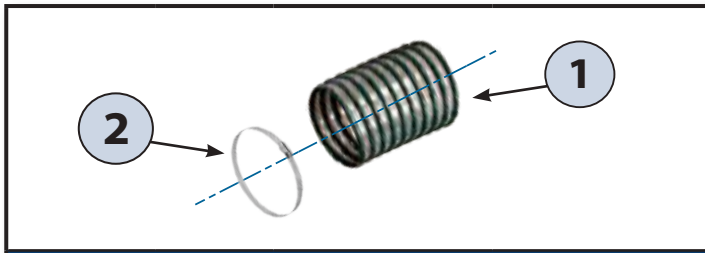


#	PART #	DESCRIPTION
1	608508	Hoses : see table page 35
2	608408	Clips : see table page 35
3	618321	Fan Motor : see table page 35
4	608408	Pneumatic Shacker Button
5	632064	Flow Adjust 10-32 Slotted
6	608409	1/8" 10-32 MPT Hose Barb Fitting
7	607222, & 607219	1/4" Reducer pour Flow Adjust
8	-/---->	Air Inlet (1/4" M # 607222, & 1/4" F # 607219 Quick Connect)
9	619005	Clevis Rod
10	608405	2" Roller
11	608407	3/4" Ø x 3" stroke Cylinder
12	610280	Bracket for cylinder
13	610287	8" Adjustable Air Inlet
14	910223	Complete Door Handle

#	PART #	DESCRIPTION
15	601378	Door Toggle Stem
16	618321	Dust Trap
17	616575	"D" Type Rubber Seal (sold by foot)
18	616406	Electric Cable (sold by foot)
19	617063	Electric Plug
20	601309	Electric Box
21	609158	"S" Hook
22	601309	4" Dust Hose (sold by foot)
23		Dust Bags (see table page 35)
24		Option : Barrel & Extension Legs (see page 35)
25		Option : Horizontal Muffler (see page 35)
26		Option : Vertical Muffler (see page 35)
27		Trolley for Barrel

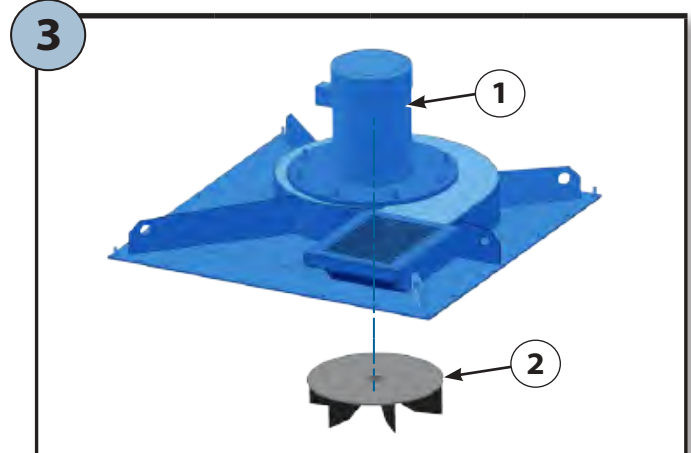
**DUST COLLECTORS : MOTORS, HOSES AND BAGS OR CARTRIDGES**

**FAN MOTOR & SUCTION HOSE**



**BARBED SUCTION HOSES AND CLAMPS**

Fan Motor (hp)	Hose I.D.	Hose (1)	Clamp (2)
1/2	5"	606168	624121
1	6"	606169	624124
2	7"	606171	624127
3	8"	606173	624128
5	10"	606177	624137



**FAN MOTOR**

Power (hp) (1)	Voltages		Fan (2)
	240 V	380 V	
1/2	IST	S/O	610525
1	IST	S/O	610526
2	IST	S/O	610527
3	S/O	IST	610528
5	S/O	IST	610529
7.5	S/O	IST	IST
10	S/O	IST	IST

#	PART #	DUST BAGS
(23)	601316	DC 100 : DB6HP Dust Bags (Qty : 16)
		DC 160 : DB6HP Dust Bags (Qty : 25)
		DC 230 : DB6HP Dust Bags (Qty : 36)
	601308	DC 330 : DB9HP Dust Bags (Qty : 36)

FILTERING CARTRIDGES			
#	PART #	MODEL	QTY
(7)	901321	DCM600	2
		DCM900	
		DCM1200	4
		DCM1800	

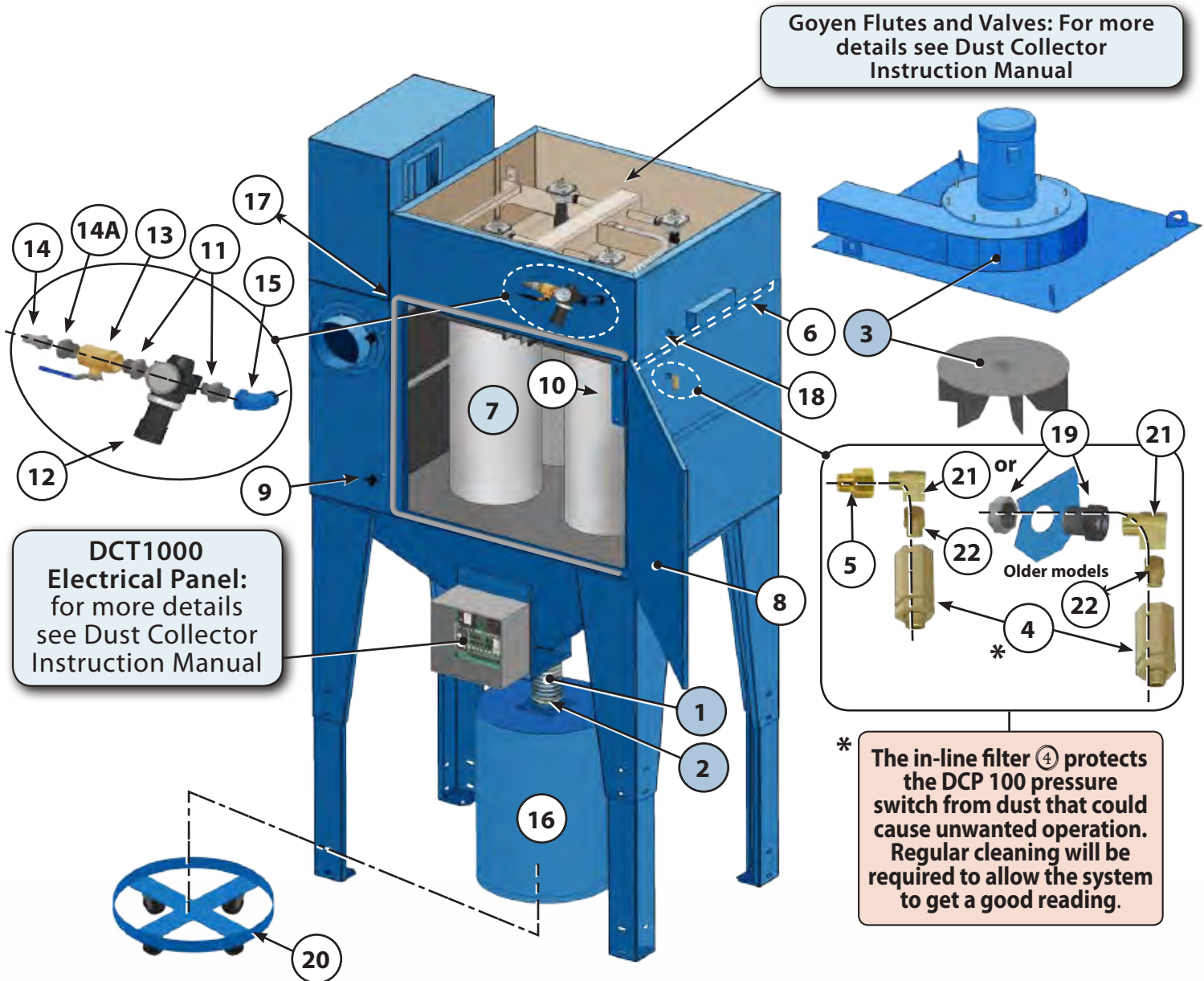


**BAGHOUSE DUST COLLECTOR OPTIONS**

DCM MODEL	(24) OPTION DUST BARREL & LEGS		HORIZONTAL MUFLER (25)	VERTICAL MUFLER (26)
	OPTION Nb.	BARREL CAPACITY (gal)		
*DCM-100-4	601486	15	601434	601423
DCM-100	601486	15	601434	601423
DCM-160	601487	30	601435	601424
DCM-230	601490	30	601436	601425
DCM-330	601490	30	601437	601426

\* For ECAB pressure cabinet only.

**DCM 600 TO 1800 CARTRIDGE DUST COLLECTOR SERIE - EXPLODED VIEW & PARTS**



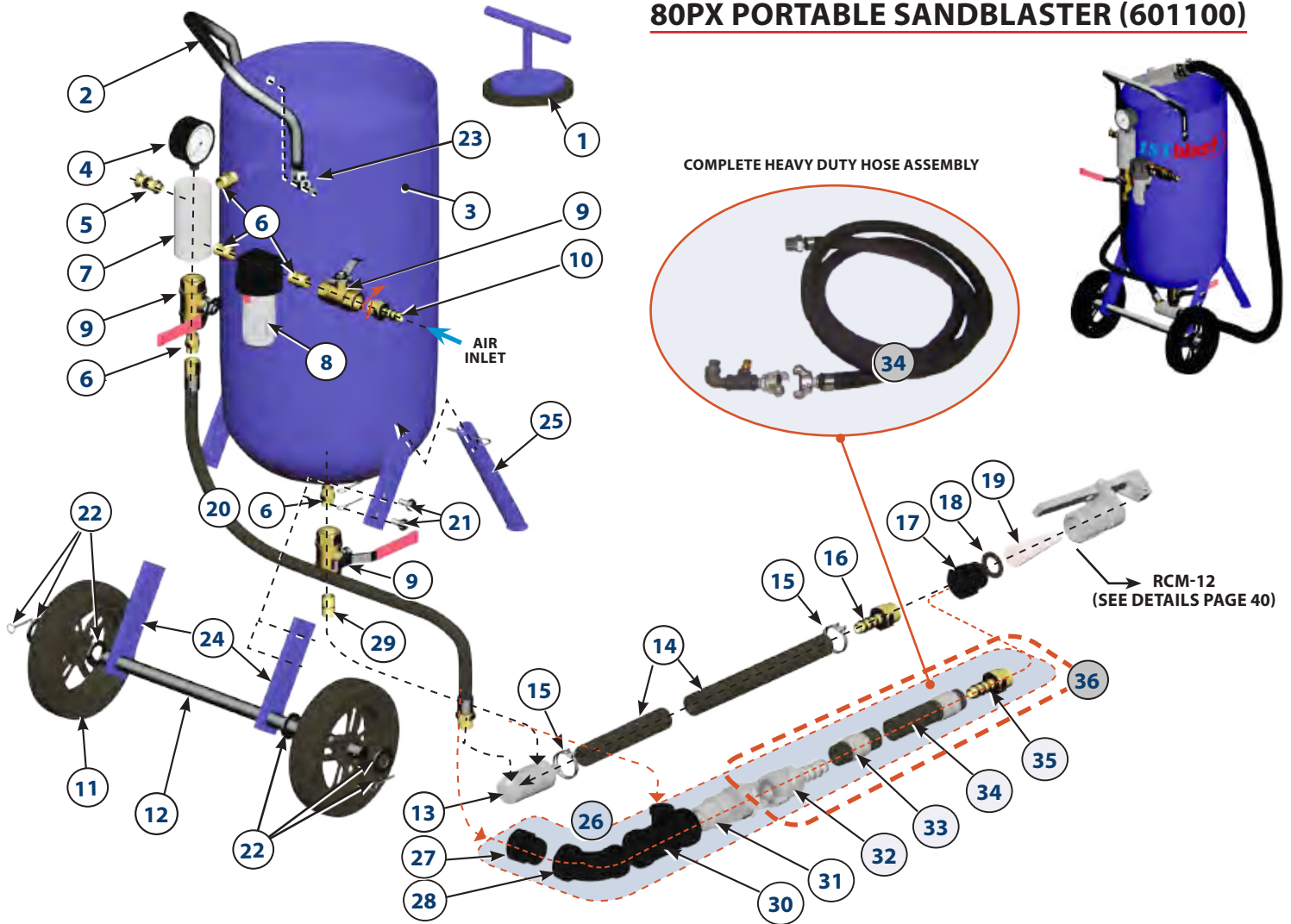
#	PART #	DESCRIPTION
1		Hoses : see table page 35
2		Clamps : see table page 35
3		Motor : see table page 35
4	611058	1/8" Inline Filter
5	632248	1/4" @ 1/8" HEX. Reducer
6	NPN	Cartridge Guide
7		Filtering Cartridge : see table p. 35
8	NPN	Access Door
9	940109	Star Knob
10	NPN	Cartridge Lock Key
11	630651	1" @ 1/2" Reducer
12	608022	1/2" Complete Pressure Regulator

#	PART #	DESCRIPTION
13	608102	1/2" Ball Valve
14	607222	1/4"-1/4" NPT Quick-Connect Fitting
14A	630351	1/2" @ 1/4" MF Reducer
15	630641	1" MF @ 90° Elbow
16	901448	30 gal Collecting Barrel
17	618321	« D » Type Rubber Seal (Sold by foot)
18	324560	1/4" NPT @ 1/4" TU Push-in Fitting
19	932004	1/4" FF Bulkhead Fitting
20	919325	Trolley for Barrel
21	630125	1/4" MF @ 90° Elbow
22	630141	1/4" @ 1/8" Reducer

## PORTABLE SANDBLASTERS



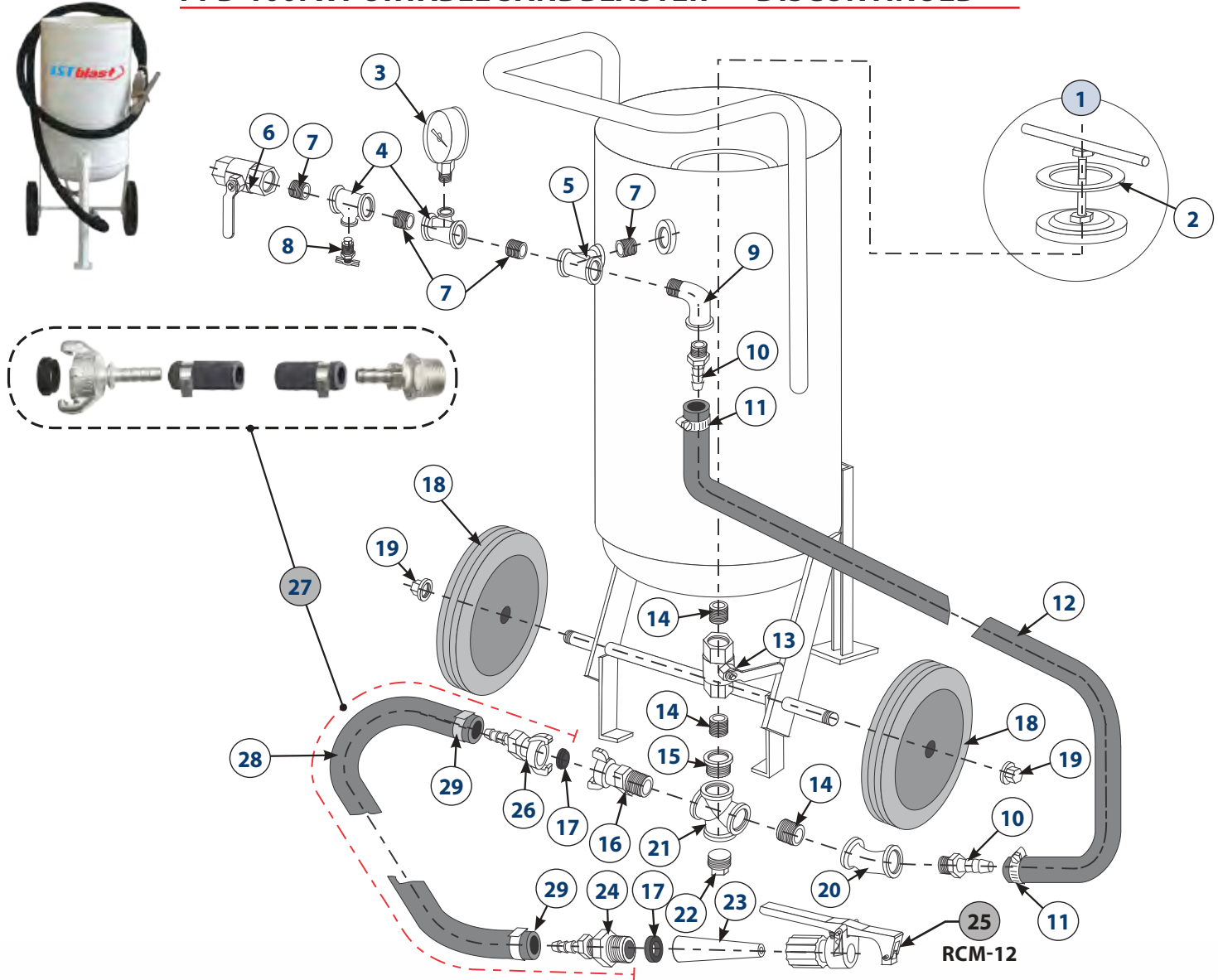
**80PX PORTABLE SANDBLASTER (601100)**



#	Part #	Description
1	601110	Lift Plug
2	601118	Handlebar
3	601101	Tank
4	611022	Pressure Gauge
5	601124	Safety valve
6	632504	BP Hex. Nipple 3/8"
7	601120	Intake Manifold
8	601119	Water Trap Filter
9	608005	3/8" Ball Valve
10	607222	Male Quick Connect 1/4" (Optional)
11	601121	Wheel
12	601117	Wheel Axle
13	601111	Standard Sand Outlet Pipe
14	601112	3/8" Standard Sandblast Hose
15	601113	Clamp
16	601114	Intake Connector 3/8"
17	630401	Galvanized Bushing 1 3/8"
18	618015	Washer NW-0

#	Part #	Description
19	605031	Standard Ceramic Nozzle 1/8" (included)
20	601102	Air Hose 80PX (c/w Clamps & Fittings)
21	NPN	M8X10 Screw (x2) & Cotter Pin (1x) for Threaded Axle Foot
22	NPN	Flat Washer 1/4" (x2) & Cotter Pin (1x) for Each Wheel
23	NPN	M6 Bolt & Nut (1x) & Washer for Each Handle Side
24	601123	Front leg support 80PX
25	601122	Axle support 80PX
26	601116	<b>Option: Complete Robust Hose Upgrade Kit (27 to 35)</b>
27	630350	Fitting 1/2" x 3/8"
28	630341	1/2" Elbow Fitting
29	632504	BP Hex. Nipple 3/8"
30	630329	"T" Fitting 1/2" x 1/2" x 3/8"
31	607070	TC 1/2" Tank Coupling
32	607002	QC 1/2" Coupling
33	624205	Clamp
34	606001	SBH 1/2" Sandblast Hose (sold by foot)
35	607050	NC 1/2" Coupling

**PPB-100PX PORTABLE SANDBLASTER \*\*\*DISCONTINUED\*\*\***



1	612103	Lift plug
2	618203	Gasket
3	611022	Pressure Gauge
4	630330	Fitting PN - "T" PA 1/2" x 1/2" x 1/4"
5	630328	Fitting PN-"T" PA 1/2"
6	608102	1/2" ball valve
7	630301	Close nipple 1/2"
8	608230	Exhaust drain
9	630341	Elbow PN 90° x 1/2"
10	608011	Brass hose barb 1/2"
11	624106	Clamp T-16
12	606082	Side hose/Clamp
13	608005	Abrasive regulator AR 3/8"
14	630201	Close nipple PN 3/8"
15	630350	Hex. bushing PN 3/8" x 1/2"

16	607070	TC - 1/2" tank coupling
17	618000	Washer QCW-O
18	619002	Plastic wheel 8"
19	619070	Wheel hub cap
20	630346	Elbow PN 45° x 1/2"
21	630327	Cross fitting 1/2"
22	630361	1/2" male plug
23	605031	Ceramic nozzle CN3-2 1/8"
24	607050	Nozzle coupling NC- 1/2"
25	602007	<b>Complete RCM-12 (see details page 23)</b>
26	607002	Quick hose coupling QC - 1/2"
27	606011	<b>Complete 10' SBH - 1/2" with QC-NC fittings</b>
28	606001	SBH-1/2" bulk, per foot (min. order 10')
29	624205	Clamp

**PPB 80 & 100PX: AVAILABLE PARTS**

**RCM-12 SANDBLAST GUN**

	<b>A</b>	<b>602007</b>	<b>Complete RCM-12 Gun</b>
	<b>1</b>	<b>602121</b>	Body
	<b>2</b>	<b>602125</b>	Pin RCM-12
	<b>3</b>	<b>602132</b>	Allen Key
	<b>4</b>	<b>602127</b>	Allen Screw
	<b>5</b>	<b>602126</b>	Block
	<b>6</b>	<b>602123</b>	Handle
	<b>7</b>	<b>602122</b>	Spring
	<b>8</b>	<b>602124</b>	Axle
	<b>9</b>	<b>618015</b>	NW-0 Washer

**NOZZLES**

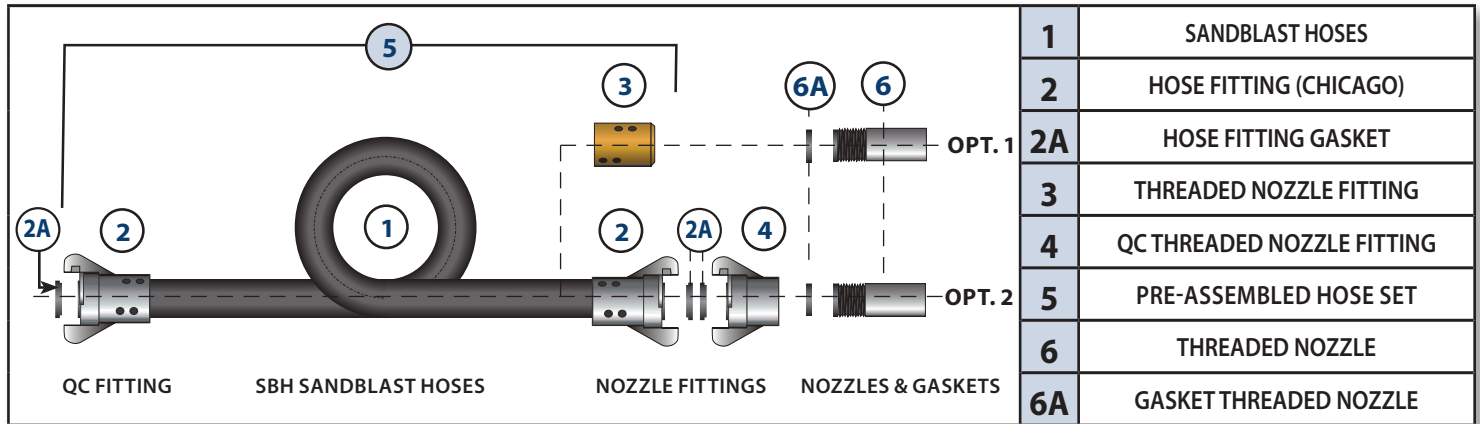
**CERAMIC**

	<b>Part Nb</b>	<b>Model</b>	<b>Orifice</b>	<b>Length</b>	Conical type nozzle, straight orifice. Use with fittings NC- 1/2", NA-1, NA-3 and RCM-12
	<b>605031</b>	CN3-2	1/8" Ø	3 3/4"	
	<b>605033</b>	CN3-3	3/16" Ø	3 3/4"	
	<b>605034</b>	CN3-4	1/4" Ø	3 3/4"	
	<b>605036</b>	CN3-6	3/8" Ø	3 3/4"	
	<b>607044</b>	NA	Adapter for conical ceramic nozzle type CN3-		


**SANDBLAST HOODS**

	<b>1</b>	<b>603033</b>	BH3 Hood ( <b>Discontinued</b> )
	<b>2</b>	<b>613004</b>	Shield BH3 6" x 5"
	<b>3</b>	<b>NPN</b>	BH5 Hood ( <b>Discontinued</b> )
	<b>4</b>	<b>613008</b>	Shield BH5 5" x 10 1/4"


**SANDBLASTER MODEL 346/646/1046: NOZZLES & HOSES**




**BULK SANDBLAST HOSES**  
(LENGTH OF 12.5', 25' & 50' ONLY)

		MODEL	INSIDE DIAMETER	OUTSIDE DIAMETER
	606004	SBHW-1 1/4" whip	1 1/4"	1 7/8"
	606005	SBH-1"	1"	1 31/32"
	606006	SBH-1 1/4"	1 1/4"	2 5/32"
	606007	SBH-1 1/2"	1 1/2"	2 3/8"
	606008	SBH-2"	2"	2 7/8"

**HOSES FITTINGS**


	Part Nb.	Model	SBH I.D.	SBH O.D.
 (CHICAGO)	607005	QC	1"	1 31/32"
	607007		1 1/4"	2 5/32"
	607009		1 1/2"	2 3/8"

**FITTING GASKETS\***


	Part Nb.	Model	Hose I.D.
	618000	QCW	1"
	618001		1 1/4"
	618003		1 1/2"

\* The gasket is included with hose fittings.

**OPTION 1: THREADED NOZZLE FITTINGS**

	Model	Hose I.D.	Thread	
			1"-1/4 NPS	2"-4 1/2 UNC
	NH-1	1"	607018	407020
	NH-1 1/4"	1 1/4"	607019	407021
	NH-1 1/2"	1 1/2"	607054	N/A

**OPTION 2: QUICK CONNECT NOZZLE COUPLINGS**

	Part Nb.	Model	Hose I.D.	Thread
	607075	TC-1 1/4"	1 1/4"	1"-1/4 NPS
	907011	TC-1 1/2"	1 1/2"	

Nozzle couplings are primarily used by operators who need to regularly change nozzles, but this type of connection could cause wear on the hose and / or nozzle.

**SANDBLASTER MODEL 346/646/1046: NOZZLES & HOSES (CONT'D)**

**5 HOSE AND FITTINGS PRE-ASSEMBLED KITS (INCLUDES 1, 2 AND 3)**


Kits with two hose connections (QC-QC) to the end pieces can be used to make extensions. Assemblies that include a hose connector (QC) and a nozzle connector (NH) are those used to insert the nozzle.


The SBHW-1¼" Whip hose offers lightness and flexibility in use, but wears out faster because its wall is thinner than standard hoses. The Whip system is generally used at the "last length" blast hose in blast chambers and should be replaced more frequently.

1 SANDBLASTING HOSE			2 3 FITTINGS	
Model	Inside Diam. (I.D.)	Hose length (feet)	QC-QC	QC-NH
SBH-1"	1"	12.5	606030	606029
		25	606036	606031
		50	606037	606032
SBH-1¼"	1¼"	50	606042	606040
SBH-1½"	1½"		606052	606050
SBHW-1¼"	1¼" Whip	12.5	606049	606053

**6 THREADED NOZZLES SIMPLE VENTURI**

Simple Venturi nozzles provide exceptional sanding performance. Their design is designed with a narrow entrance and a wide opening which considerably increases the velocity at the exit


DCV- TUNGSTEN CARBIDE*	Part #	Model	Orifice	Length	Thread	
	605203	DCV-3	3/16" Ø	4 1/4"	1 1/4" NPS	
	605204	DCV-4	1/4" Ø	5 1/4"		
	605205	DCV-5	5/16" Ø	6"		
	605206	DCV-6	3/8" Ø	6 3/4"		
	605207	DCV-7	7/16" Ø	8"		
	605208	DCV-8	1/2" Ø	9 1/4"		
BCV4- BORE CARBIDE*	605453	BCV4-3	3/16" Ø	4 1/8"		1 1/4" NPS
	605454	BCV4-4	1/4" Ø			
	605455	BCV4-5	5/16" Ø			
	605456	BCV4-6	3/8" Ø			
	605457	BCV4-7	7/16" Ø			
	605458	BCV4-8	1/2" Ø			


6 GASKET	Part #	Model	Thickness
	618016	NW-1	1/4"

\* The gasket is included with the nozzles.

**THREADED NOZZLES DOUBLE VENTURI**

Double Venturi nozzles provide increased performance compared to the Single Venturi nozzle. The hole inside the nozzle allows atmospheric air to be introduced, which considerably increases the velocity while reducing the loss of velocity.

BORON CARBIDE*	Part #	Model	Orifice	Length	Thread
	405464	# 4	1/4" Ø	5 5/16"	50 mm
	405465	# 5	5/16" Ø	6 1/16"	
	405466	# 6	3/8" Ø	6 1/8"	
	405467	# 7	7/16" Ø	8 15/32"	
	405468	# 8	1/2" Ø	9 1/16"	

6 GASKET	Part #	Model	Thickness
	407025	NW3	1/4"


\* Gasket sold separately.

SILICON CARBIDE	Part Nb	Model	Orifice	Length
	905464	SCV-4	1/4" Ø	6"
	905465	SCV-5	5/16" Ø	6 3/4"
	905466	SCV-6	3/8" Ø	8"
	905467	SCV-7	7/16" Ø	9 1/4"
	905468	SCV-8	1/2" Ø	9 1/4"


Threaded nozzle 1¼" N.P.S., 1" Ø entry venturi orifice, use with NCV, all NH- except NH- 1/2"

## NOZZLES LIST


### TUNGSTEN CARBIDE

 DC2-F / BN2	<b>Part #</b>	<b>Model</b>	<b>Opening</b>	<b>Lenght</b>	Conical type nozzle, straight orifice. Use with NC-1/2" couplings, NA-1, NA-3. (not with RCM-12)
	605302	DC2-F2	1/8" Ø	1 5/8"	
	605303	DC2-F3	3/16" Ø	1 5/8"	
	605304	DC2-F4	1/4" Ø	1 5/8"	
	<b>BORE CARBIDE</b>				
	605308	BN2-F2	1/8" Ø	1 5/8"	
605309	BN2-F3	3/16" Ø	1 5/8"		
605310	BN2-F4	1/4" Ø	1 5/8"		


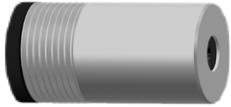
### TUNGSTEN CARBIDE

 DC1 / BC1	<b>Part #</b>	<b>Model</b>	<b>Opening</b>	<b>Lenght</b>	Threaded nozzle 3/4" – 14 N.P.S., straight orifice. Is used with NH-1/2" coupling only.
	605358	DC1-2	1/8" Ø	1 3/4"	
	605359	DC1-3	3/16" Ø	1 3/4"	
	605360	DC1-4	1/4" Ø	1 3/4"	
	605361	DC1-5	5/16" Ø	1 3/4"	
	<b>BORE CARBIDE</b>				
605414	BC1-2	1/8" Ø	1 3/4"	Threaded nozzle 3/4" – 14 N.P.S., straight orifice. Is used with NH-1/2" coupling only.	
605415	BC1-3	3/16" Ø	1 3/4"		
605416	BC1-4	1/4" Ø	1 3/4"		
605417	BC1-5	5/16" Ø	1 3/4"		


### TUNGSTEN CARBIDE

 DC3-	<b>Part #</b>	<b>Model</b>	<b>Opening</b>	<b>Lenght</b>	Threaded nozzle 1 1/4" N.P.S. straight jet.
	605313	DC3-3	3/16" Ø	3"	
	605314	DC3-4	1/4" Ø	3"	
	605315	DC3-5	5/16" Ø	3"	
	605316	DC3-6	3/8" Ø	3"	

### TUNGSTEN CARBIDE

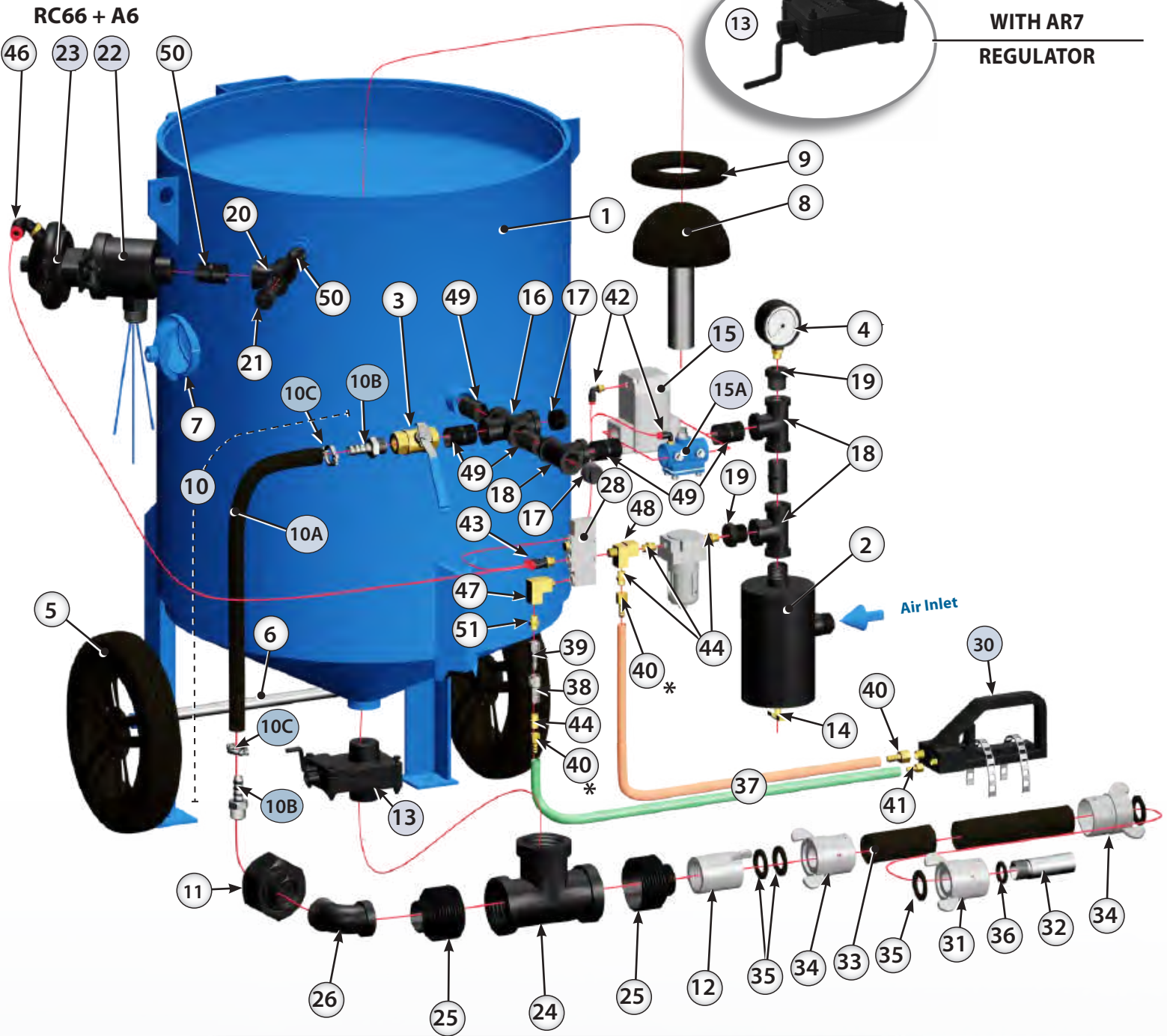
 DCV-   BCV-	<b>Part #</b>	<b>Model</b>	<b>Opening</b>	<b>Lenght</b>	1 1/4" N.P.S. threaded nozzle, venturi orifice. 1" Ø inlet. For use with NCV, all NH- except NH- 1/2".
	605203	DCV-3	3/16" Ø	4 1/4"	
	605204	DCV-4	1/4" Ø	5 1/4"	
	605205	DCV-5	5/16" Ø	6"	
	605206	DCV-6	3/8" Ø	6 3/4"	
	605207	DCV-7	7/16" Ø	8"	
<b>BORE CARBIDE</b>					
605454	BCV-4	1/4" Ø	4 1/8"	1 1/4" N.P.S. threaded nozzle, 1" Ø venturi orifice. For use with NCV, all NH- except NH- 1/2"	
605455	BCV-5	5/16" Ø	4 1/8"		
605456	BCV-6	3/8" Ø	4 1/8"		

### SILICONE CARBIDE (SiA10N)

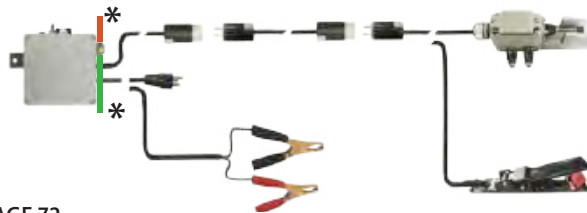
 SCV-	<b>Part #</b>	<b>Model</b>	<b>Opening</b>	<b>Lenght</b>	1 1/4" N.P.S. threaded nozzle, dual venturi orifice. 1" Ø inlet. For use with NCV, all NH- except NH- 1/2"
	905464	SCV-4	1/4" Ø	5.8"	
	905465	SCV-5	5/16" Ø	6.31"	
	905466	SCV-6	3/8" Ø	6.85"	
	905467	SCV-7	7/16" Ø	8.4"	
	905468	SCV-8	1/2" Ø	9.25"	

**SANDBLASTER MODEL 340 - 640 RC66 / RC70 VERSION (UNTIL 2009)**

EXPLODED VIEW



\* OPTION : ELECTRICAL REMOTE CONTROL 12 V DC / 120 V AC



SEE DETAILS PAGE 72

## SANDBLASTER MODEL 340 - 640 TYPE RC66 / RC70 PARTS LIST

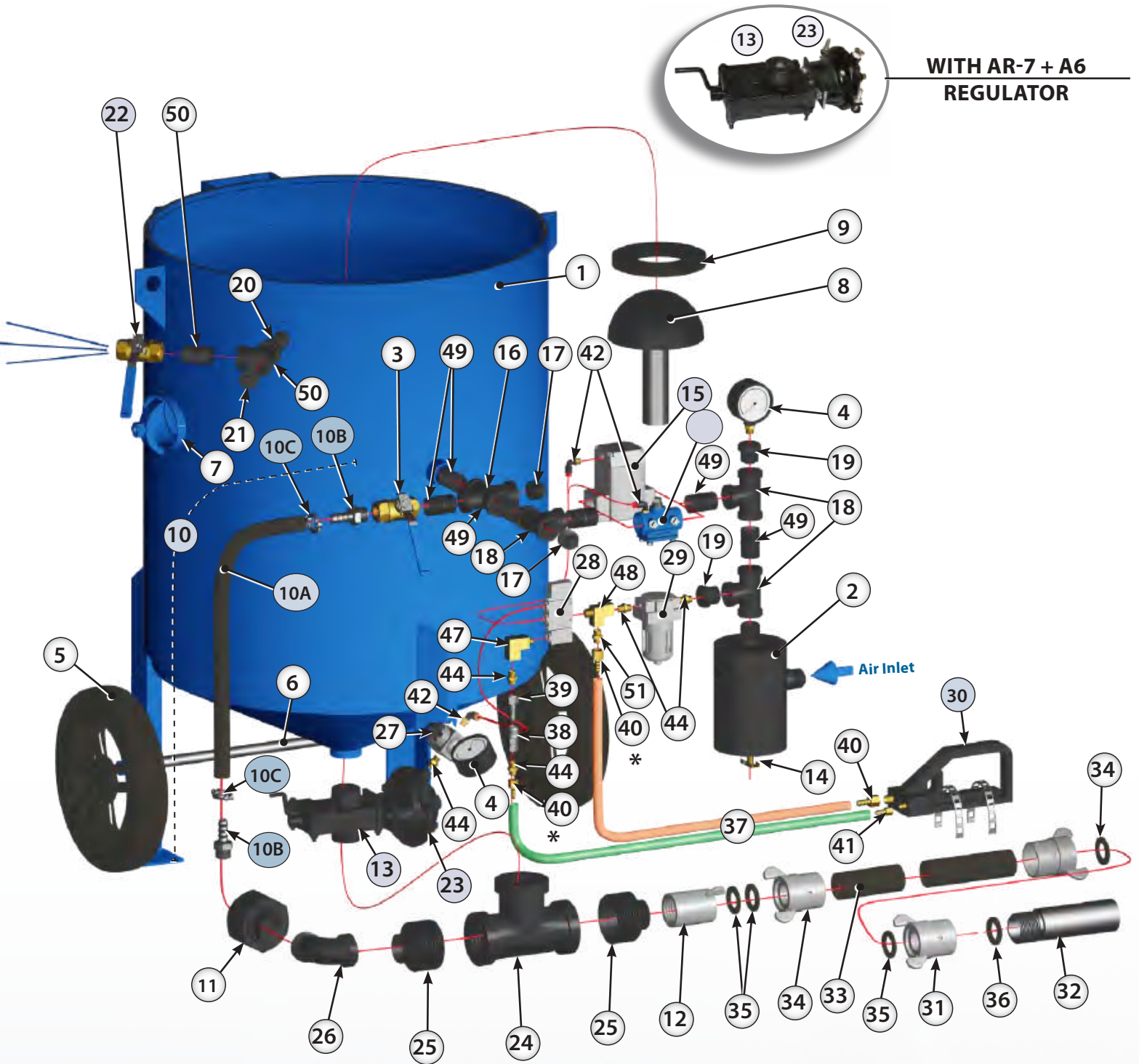
### MODEL 340

1	612200	Pressure vessel only
2	611052	1" moisture separator
3	608104	1" ball valve
4	611022	1/4" 1 / 4 " NPT gauge
5	740006	15" Wheel
6	619090	Wheel axle
7	610056	Access door kit
	618209	Access door gasket only
8	610041	5" Plunger
9	618201	"O" Ring
10	612245	1" hose assembly
10A	606005	1" hose only
10B	630690	1" NPT adaptor
10C	624208	"H" clamp
11	630680	1" NPT union
12	607075	TC 1 1/4" coupling
13	608043	AR-7 abrasive regulator (see page 48)
14	608230	Drain valve
15	608309	1" pneumatic valve Version RC 70-80 (see page 48)
15A	608302	1" pneumatic valve Version RC 66-76 (see page 48)
16	630629	1" cross coupling
17	630671	1" Plug
18	630630	1" T coupling
19	630653	1" x 1/4" coupling
20	630840	T 1 1/4" T coupling
21	630884	1 1/4" Plug
22	608951	Depress valve (see page 72)
24	631135	T 2" T fitting
25	631152	2" to 1" reducer
26	630640	1" x 90° elbow
28	608534	Pilot valve
29	611035	Mini filter
30	608800	Pneumatic remote control handle
31	607075	1 1/4" TC Nozzle Adaptor
32	605204	Venturi nozzle DCV- 4- x 1/4"
33	606005	1" sandblasting hose only (sold per foot) 25' min.
	606036	1" sandblasting hose, 25' with QC-QC coupling
	606037	1" sandblasting hose, 50' with QC-QC coupling
34	607005	1" QC coupling
35	618001	QCW-1 QC coupling washer
36	618016	NW-1 nozzle washer
37	606191	30' dual hose with couplings
	606193	55' dual hose with couplings
38	607219	1/4" female quick coupling
39	607223	1/4" male quick coupling
40	632279	Green hose coupling 1/4"
41	632281	Red hose coupling 1/8"
43	324557	"Y" push-in coupling
44	632202	1/4" nipple
45	324571	Plastic tube
46	324561	Push-in 1/8" NPT x 1/4" coupling
47	632026	1/8" male/female elbow
48	632226	"T" male/female 1/4" coupling
49	630601	1" nipple
50	630801	1 1/4" nipple
51	632214	Male 1/4" x 1/8" NPT male coupling
52	631080	1/4" union

### MODEL 640

1	612250	Pressure vessel only
2	611053	1 1/4" moisture separator
3	608105	1 1/4" ball valve
4	611022	1/4" NPT gauge
5	619015	16" Wheel
6	619091	Axle
7	610056	Access door kit
	618209	Access door gasket
8	610041	5" plunger
9	618201	"O" Ring
10	612246	1 1/4" hose assembly
10A	606006	1 1/4" hose only
10B	630885	1 1/4" NPT adaptor
10C	624210	"H" clamp
11	630890	1 1/4" NPT union
12	607075	TC 1 1/4" coupling
13	608043	AR-7 abrasive regulator (see page 58)
14	608230	Drain valve
15	608307	1 1/4" pneumatic valve Version RC 70-80 (see p 72)
	608303	1 1/4" pneumatic valve Version RC 66-76 (see p 72)
16	630838	1 1/4" cross coupling
17	630884	1 1/4" plug
18	630840	1 1/4" "T" coupling
19	630864	1 1/4" x 1/4" coupling
20	630840	"T" 1 1/4" "T" coupling
21	630884	1 1/4" plug
22	608951	RC66/A6 depress complete kit (see page 48)
23	608482	A6 actuator (page 48)
24	631135	2" "T" fitting
25	631151	2" to 1 1/4" reducer
26	630850	1 1/4" - 90° elbow
28	608534	TAC3 Pilot valve
29	611035	1/4" Mini filter
30	608800	Pneumatic remote control handle (see page 46)
31	607075	1 1/4" TC nozzle adaptor
32	605205	Venturi nozzle DCV5- x 5/16"
33	606006	1 1/4" sandblasting hose only (sold per foot) 50' min.
	606042	1 1/4" sandblasting hose, 50' with QC-QC coupling
34	607007	1 1/4" QC coupling
35	618001	QCW-1 coupling washer
36	618016	NW-1 nozzle washer
37	606193	55' dual hose with couplings
38	607219	1/4" female quick coupling
39	607223	1/4" male quick coupling
40	632279	1/4" green hose coupling
41	632281	1/8" red hose coupling
42	324560	Push-in 1/4" @ 90°
44	632202	1/4" Hex. nipple
45	324571	1/4" Blue Poly. Tube
46	324561	Push-in 1/8" NPT x 1/4" coupling
47	632026	1/8" 90° male/female elbow
48	632226	"T" male/female 1/4" coupling
49	630601	1" nipple
50	630801	1 1/4" nipple
51	632214	Male 1/4" x 1/8" NPT male coupling

**SANDBLASTER MODEL 340 - 640 TYPE RC76 / RC80 (UNTIL 2009)**  
EXPLODED VIEW



**Electric remote control option 12 V DC / 120 V**  
See details page 71



## SANDBLASTER MODEL 340 - 640 TYPE RC76 / RC80 PARTS LIST (UNTIL 2009)

**Model 340**
**Model 640**

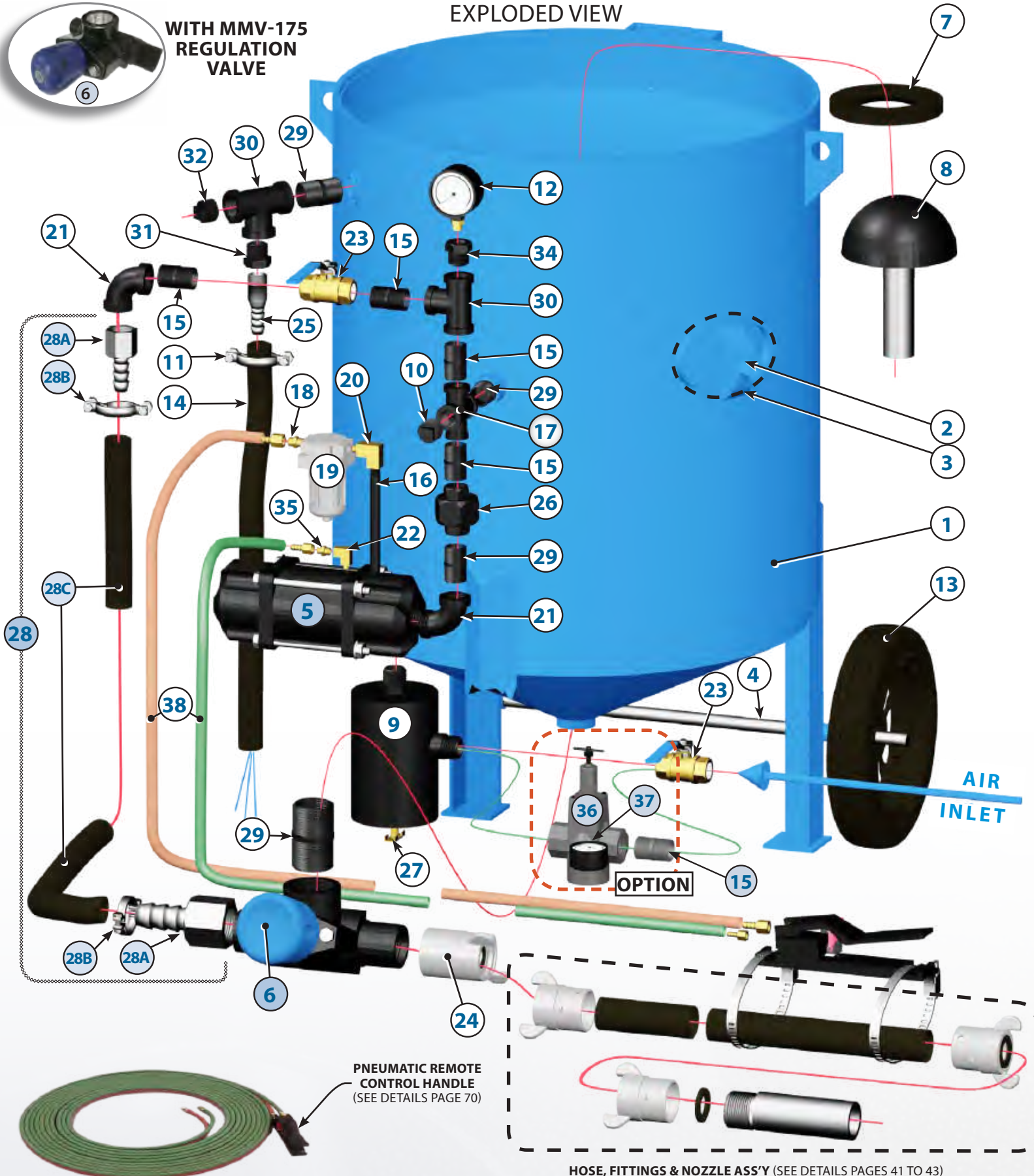
#	Part #	Description
1	612200	Pressure vessel only
2	611052	1" moisture separator
3	608104	1" ball valve
4	611022	1/4" NPT gauge
5	740006	15" wheel
6	619091	Wheel Axle
7	610056	Access door kit
	618209	Access door gasket
8	610041	5" plunger
9	618201	"O" Ring
10	612245	1" hose assembly
10A	606005	1" hose only
10B	630690	1" NPT adaptor
10C	624208	"H" clamp
11	630680	1" NPT union
12	607075	TC 1 1/4" coupling
13	608043	AR-7 abrasive regulator (page 58)
14	608230	Drain valve
15	608309	1" pneumatic valve Version RC 70-80 (page 48)
	608302	1" pneumatic valve Version RC 66-76 (page 48)
16	630629	1" cross coupling
17	630671	1" plug
18	630630	1" "T" coupling
19	630653	1" x 1/4" coupling
20	630840	"T" 1 1/4" "T" coupling
21	630884	1 1/4" plug
22	608105	1 1/4" ball valve
23	608482	Actuator A6 (page 48)
24	631135	"T" 2" "T" fitting
25	631152	2" to 1" reducer
26	630640	1" x 90° elbow
27	608015	Mini air regulator
28	608534	TAC3 Pilot valve
29	611035	1/4" Mini filter
30	608800	Pneumatic remote control handle (page 70)
31	607075	1 1/4" TC nozzle adaptor
32	605204	Venturi nozzle DCV-4- x 1/4"
	606005	1" sandblasting hose only (sold per foot) 25' min.
33	606036	1" sandblasting hose, 25' with QC-QC coupling
	606037	1" sandblasting hose, 50' with QC-QC coupling
34	607005	1" QC coupling
35	618001	QCW-1 QC coupling washer
36	618016	NW-1 nozzle washer
37	606191	30' dual hose with couplings
	606193	55' dual hose with couplings
38	607219	1/4" female quick coupling
39	607223	1/4" FPT male quick coupling
40	632279	1/4" green hose coupling
41	632281	1/8" red hose coupling
42	324560	Push-in 1/4" x 90°
44	632202	1/4" nipple
45	324571	1/4 Blue Poly. Tube
46	324561	Push-in 1/8" NPT x 1/4" coupling
47	632026	1/8" male/female elbow
48	632226	"T" male/female 1/4" coupling
49	630601	1" nipple
50	630801	1 1/4" nipple
51	632214	Male 1/4" x 1/8" NPT male coupling

#	Part #	Description
1	612250	Pressure vessel only
2	611053	1 1/4" moisture separator
3	608105	1 1/4" ball valve
4	611022	1/4" NPT gauge
5	619015	16" wheel
6	619091	Wheel Axle
7	610056	Access door kit
	618209	Access door gasket
8	610041	5" plunger
9	618201	"O" Ring
10	612246	1 1/4" hose assembly
10A	606006	1 1/4" hose only
10B	630885	1 1/4" NPT adaptor
10C	624210	"H" clamp
11	630890	1 1/4" NPT union
12	607075	TC 1 1/4" coupling
13	608043	AR-7 abrasive regulator (page 48)
14	608230	Drain valve
15	608307	1 1/4" pneumatic valve Version RC 70-80 (page 48)
	608303	1 1/4" pneumatic valve Version RC 66-76 (page 48)
16	630838	1 1/4" cross coupling
17	630884	1 1/4" plug
18	630840	1 1/4" "T" coupling
19	630864	1 1/4" x 1/4" coupling
20	630840	"T" 1 1/4" coupling
21	630884	1 1/4" plug
22	608105	1 1/4" ball valve
23	608482	A6 actuator (page 48)
24	631135	2" T fitting
25	631151	2" to 1 1/4" reducer
26	630850	1 1/4" @ 90° elbow
27	608015	1/4" Mini air regulator
28	608534	TAC3 Pilot valve
29	611035	1/4" Mini filter
30	608800	Pneumatic remote control handle (page 70)
31	607075	TC 1 1/4" nozzle adaptor
32	605205	Venturi nozzle DCV-5- x 5/16"
33	606006	1 1/4" sandblasting hose only (sold per foot) 50' min.
	606042	1 1/4" sandblasting hose, 50' with QC-QC coupling
34	607007	1 1/4" QC coupling
35	618001	QCW-1 QC coupling washer
36	618016	NW-1 nozzle washer
37	606193	55' dual hose with couplings
38	607219	1/4" female quick coupling
39	607223	1/4" male quick coupling
40	632279	1/4" green hose coupling
41	632281	1/8" red hose coupling
42	324560	Push-in 1/4" @ 90°
44	632202	1/4" nipple
45	324571	Plastic tube
46	324561	Push-in 1/8" NPT x 1/4" coupling
47	632026	1/8" male/female elbow
48	632226	"T" male/female 1/4" coupling
49	630801	1 1/4" nipple
50		
51	632214	Male 1/4" x 1/8" NPT male coupling

**SANDBLASTERS PPB-346/646/1046 : RC-176 PRESSURE RELEASE SYSTEM**

EXPLODED VIEW

WITH MMV-175 REGULATION VALVE



HOSE, FITTINGS & NOZZLE ASS'Y (SEE DETAILS PAGES 41 TO 43)

**SANDBLASTERS PPB-346/646/1046 : RC-176 PRESSURE RELEASE SYSTEM  
PARTS LIST**

#	Part #	DESCRIPTION
1	713000	PRESSURE VESSEL ONLY (346)
	723000	PRESSURE VESSEL ONLY (646)
	733000	PRESSURE VESSEL ONLY (1046)
2	610056	ACCESS DOOR KIT (OLDER VERSION)
	740102	ACCESS DOOR KIT (LG SERIE)
3	618241	ACCESS DOOR GASKET (OLDER VERSION)
	740101	ACCESS DOOR GASKET (LG SERIE)
4	740001	AXLE (MODEL 346)
	740002	AXLE (MODEL 646-1046)
5	608821	COMBO VALVE AV-176 <sup>1</sup>
6	770070	MMV-175 METERING VALVE <sup>2</sup>
7	740004	"O" RING (OLDER VERSION)
	740100	"O" RING (LG SERIE)
	740104	"O" RING FOR 10 pi <sup>3</sup> (LG SERIE)
8	740007	5" PLUNGER (OLDER VERSION)
	610044	5" PLUNGER (LG SERIE)
9	611053	1 1/4" MOISTURE SEPARATOR
10	630884	1 1/4" PLUG
11	607051	NH-3/4" ALUM. NOZZLE HOLDER
12	611022	1/4" NTP GAUGE
13	740006	15" WHEEL
14	606003	HOSE 3/4" SBH

#	Part #	DESCRIPTION		
15	630801	1 1/4" NIPPLE CLOSE		
16	630111	NIPPLE 6" X 1/4"		
17	630838	CROSS 1 1/4"		
18	632214	HEX NIPPLE 1/4" X 1/8"		
19	611035	AIR LINE FILTER		
20	632232	1/4" BRASS STREET ELBOW		
21	630851	1 1/4" X 90° ELBOW MF		
22	632026	1/8" BRASS STREET ELBOW		
23	608105	1 1/4" BALL VALVE		
24	607075T	TANK COUPLING 1 1/4" NYLON		
25	630570	3/4" HOSE BARB FITTING		
26	630890	UNION PA 1 1/4"		
27	608230	DRAIN COCK VALVE		
28	770100	PUSH LINE HOSE ASS'Y (28A-B-C)		
28A	607088	HOSE INSERT SWIVEL 1 1/4"		
28B	607087	DOUBLE BOLT CLAMP		
28C	770101	PUSH LINE HOSE 30" X 1 1/4"		
29	630805	NIPPLE 3" X 1 1/4"		
30	630840	"T" 1 1/4" X 1 1/4"		
31	630864	1 1/4" X 1/4" COUPLING		
32	632214	REDUCER NIPPLE 1/4" X 1/8"		
34	630864	COUPLAGE 1 1/4" x 1/4"		
35	632214	MAMELON RÉDUCTEUR 1/8" x 1/4"		
36	608025	RÉGULATEUR DE PRESSION 1 1/4" (OPTION)		
37	611022	MANOMÈTRE 1/4" MTP (OPTION)		
38	606192	DOUBLE RED AND GREEN HOSE	15'	C/W FITTINGS & ATTACHMENTS (EACH END)
	606191		30'	
	606193		55'	
	606199		70'	
	606203		80'	
	606202		90'	
	606195		105'	
	606205		115'	

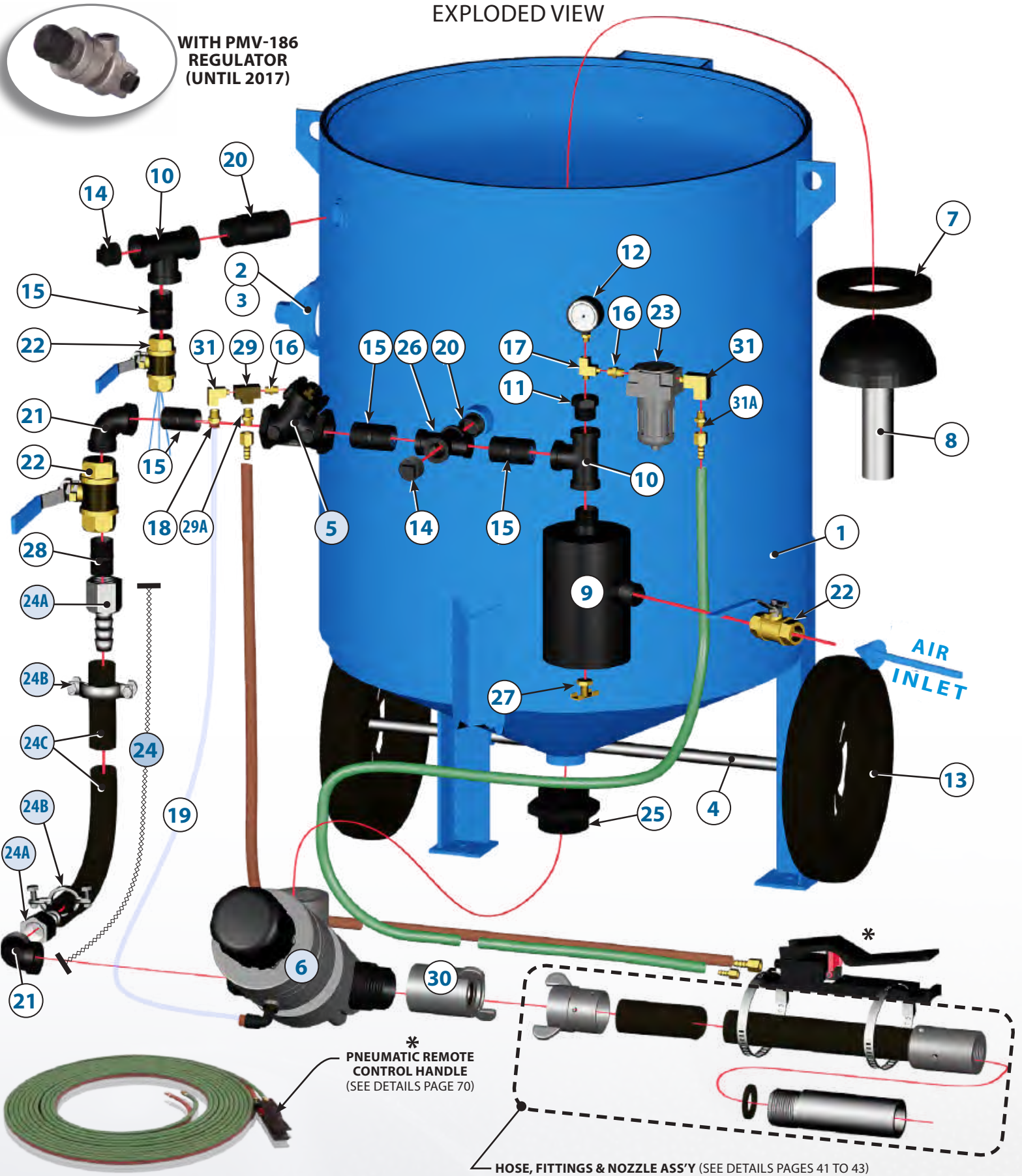
<sup>1</sup>See parts details page 59

<sup>2</sup>See parts details page 58

\*Beyond 115', you must use an electric remote control.

**SANDBLASTERS PPB-346/646/1046 : RC-186 PRESSURE HOLD SYSTEM (UNTIL 2017)**

EXPLODED VIEW



**SANDBLASTERS PPB-346/646/1046 : RC-186 PRESSURE HOLD SYSTEM (UNTIL 2017)  
PARTS LIST**



#	Part #	DESCRIPTION
1	713000	PRESSURE VESSEL ONLY (346)
	723000	PRESSURE VESSEL ONLY (646)
	733000	PRESSURE VESSEL ONLY (1046)
2	610056	ACCESS DOOR KIT (OLDER VERSION)
	740102	ACCESS DOOR KIT (LG SERIE)
3	618241	ACCESS DOOR GASKET (OLDER VERSION)
	740101	ACCESS DOOR GASKET (LG SERIE)
4	740001	AXLE (MODEL 346)
	740002	AXLE (MODEL 646-1046)
5	608821	COMBO VALVE AV-176 <sup>1</sup>
6	608847	PMV-186 METERING VALVE <sup>2</sup>
7	740004	"O" RING (OLDER VERSION)
	740100	"O" RING (LG SERIE)
	740104	"O" RING FOR 10 pi <sup>3</sup> (LG SERIE)
8	740007	5" PLUNGER (OLDER VERSION)
	610044	5" PLUNGER (LG SERIE)
9	611053	1 1/4" MOISTURE SEPARATOR
10	630840	1 1/4" COUPLING T
11	630864	1 1/4" x 1/4" COUPLING
12	611022	1/4" NTP PRESSURE GAUGE
13	740006	15" WHEEL
14	630884	1 1/4" PA MALE PLUG

#	Part #	Description
15	630801	1 1/4" NIPPLE
16	632202	1/4" HEX. NIPPLE
17	632226	1/4" BRASS T
18	324570	1/4" x 1/8" NPTF PUSH-IN FITTING
19	324571	1/4" BLUE POLY. TUBE (SOLD BY FOOT)
20	630805	3" X 1 1/4" NIPPLE
21	630851	1 1/4" MF @ 90° ELBOW
22	608105	1 1/4" BALL VALVE
23	611035	INLINE AIR FILTER
24A	607088	1 1/4" HOSE BARB FITTING
24B	607087	DOUBLE BOLT CLAMP
24C	770101	30" X 1 1/4" PUSH LINE HOSE
25	770180	2" X 1 1/4" BST REDUCER
26	630838	1 1/4" COUPLING CROSS
27	608230	1/4" DRAIN COCK VALVE
28	630805	1 1/4" x 3" PA NIPPLE
29	632018	1/8" FF BRASS T
29A	632214	1/4" @ 1/8" REDUCER NIPPLE
30	607075T	TC-1 1/4" NCV QUICK CONNECT
31	632026	90° MF 1/8" PL BRASS ELBOW
31A	632002	1/8" PL HEX NIPPLE

<sup>1</sup>See parts details page 59

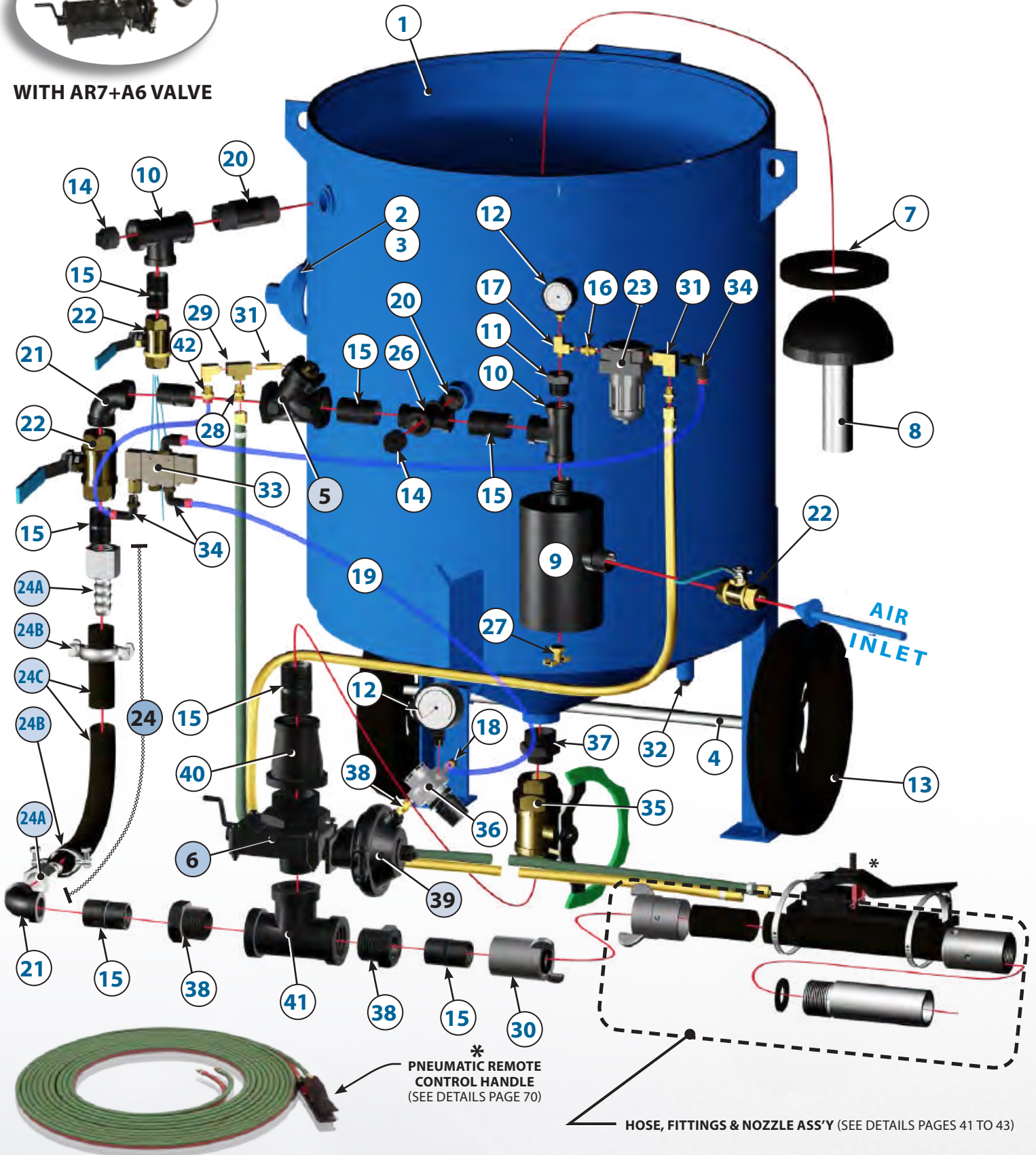
<sup>2</sup>See parts details page 57

**SANDBLASTERS PPB-346/646/1046 : RC-186 PRESSURE HOLD SYSTEM (2017 TO 2022)**

EXPLODED VIEW



WITH AR7+A6 VALVE



**SANDBLASTERS PPB-346/646/1046 : RC-186 PRESSURE HOLD SYSTEM (2017 TO 2022)**
**PARTS LIST**


#	PART #	DESCRIPTION
1	713000	PRESSURE VESSEL ONLY (346)
	723000	PRESSURE VESSEL ONLY (646)
	733000	PRESSURE VESSEL ONLY (1046)
2	740102	ACCESS DOOR KIT
3	740101	ACCESS DOOR GASKET
4	740001	WHEEL AXLE (MODEL 346)
	740002	WHEEL AXLE (MODEL 646)
5	608822	AV-186 AIR VALVE <sup>2</sup>
6	608043	AR7 METERING VALVE <sup>1</sup>
7	740100	"O" RING
	740104	"O" RING FOR 10 pi <sup>3</sup>
8	610044	5" PLUNGER
9	611053	1 1/4" MOISTURE SEPARATOR
10	630840	1 1/4" COUPLING T-STREET
11	630864	1 1/4" x 1/4" COUPLING
12	611022	1/4" NTP PRESSURE GAUGE
13	740006	15" WHEEL
14	630884	1 1/4" PA MALE PLUG
15	630801	1 1/4" NIPPLE
16	632202	1/4" HEX. NIPPLE
17	632226	1/4" T-STREET'
18	324570	1/4" x 1/8" NPTF PUSH-IN FITTING
19	324571	1/4" BLUE POLY. TUBE (SOLD BY FOOT)
20	630805	3" x 1 1/4" NIPPLE
21	630851	1 1/4" MF @ 90° ELBOW
22	608105	3" X 1 1/4" NIPPLE
23	611053	1 1/4" INLINE AIR FILTER

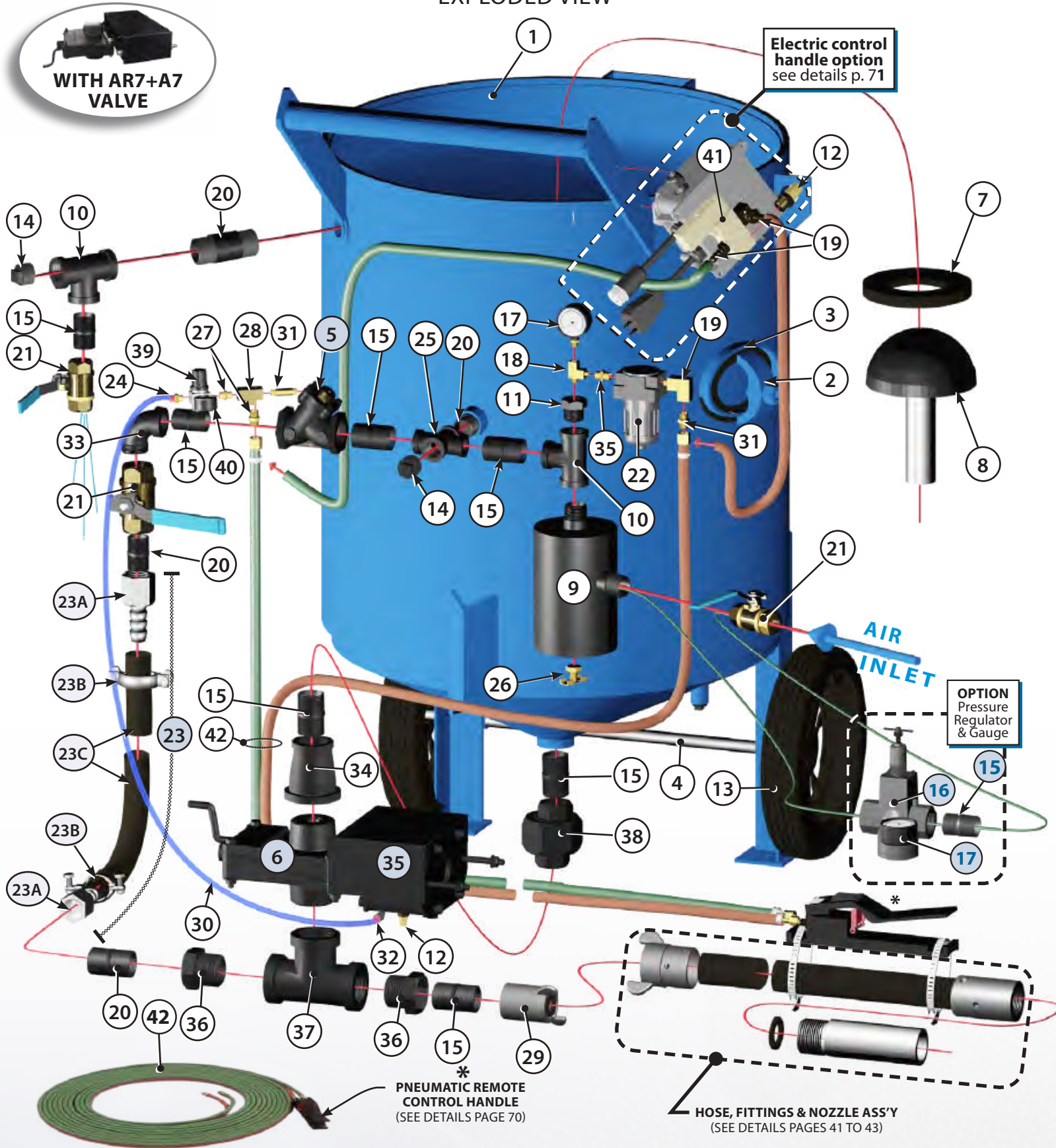
#	PART #	DESCRIPTION
24	770100	PUSH LINE ASS'Y. (24A-B-C)
24A	607088	1 1/4" HOSE BARB FITTING
24B	607087	DOUBLE BOLT CLAMP
24C	770101	30" X 1 1/4" PUSH LINE HOSE
26	630838	1 1/4" COUPLING CROSS
27	608230	1/4" DRAIN COCK VALVE
28	632202	1/4" HEX. NIPPLE
29	632018	1/8" FF BRASS T
30	607075T	TC-1 1/4" NCV QUICK CONNECT
31	630105	3" x 1/4" NIPPLE
32	NPN	1 1/4" SQUARE PLUG (1046 ONLY)
33	608537	TAC3 SOLENOID VALVE
34	324560	1/4" @ 90° PUSH-IN
35	908847	1 1/4" "D" HANDLE BALL VALVE
36	608015	1/4" PRESSURE REGULATOR
37	770180	2" @ 1 1/4" HEX. ADAPTER
38	632202	1 1/4" HEX. NIPPLE
39	608482	A6 ACTUATOR <sup>1</sup>
40	631151	2" X 1 1/4" PA ADAPTATOR
41	631135	2" PA T-STREET
42	608539	PL 10-32 TO 1/8" NPT ADAPTATOR

<sup>1</sup>See parts details page 58

<sup>2</sup>See parts details page 60

**SANDBLASTERS PPB-346/646/1046 : RC-186 PRESSURE HOLD SYSTEM (SINCE 2022)**

EXPLODED VIEW



**SANDBLASTERS PPB-346/646/1046 : RC-186 PRESSURE HOLD SYSTEM (SINCE 2022)**

**PARTS LIST**



N°	N° pièce	Description
1	713000	PRESSURE VESSEL ONLY (346)
	723000	PRESSURE VESSEL ONLY (646)
	733000	PRESSURE VESSEL ONLY (1046)
2	740102	ACCESS DOOR KIT
3	740101	ACCESS DOOR GASKET
4	740001	WHEEL AXLE (MODEL 346)
	740002	WHEEL AXLE (MODEL 646)
5	608822	AV-186 AIR VALVE <sup>2</sup>
6	608043	AR7 METERING VALVE <sup>1</sup>
7	740100	"O" RING
	740104	"O" RING FOR 10 pi <sup>3</sup>
8	610044	5" PLUNGER
9	611053	1¼" MOISTURE SEPARATOR
10	630840	1¼" COUPLING T-STREET
11	630864	1¼" x ¼" COUPLING
12	608117	¼" MUFFLER
13	740006	5" WHEEL (346-646)
14	630884	1¼" PA MALE PLUG
15	630801	1¼" NIPPLE
16	608025	1¼" PRESSURE REGULATOR (OPTION)
17	611022	¼" PRESSURE GAUGE (OPTION)
18	632224	¼" BRASS T-STREET
19	632232	¼" ELBOW
20	630805	3" x 1¼" NIPPLE
21	608105	1¼" BALL VALVE
22	611035	¼" INLINE AIR FILTER

N°	N° pièce	Description		
23	770100	PUSH LINE ASS'Y. (24A-B-C)		
23A	607088	1¼" HOSE BARB FITTING		
23B	607087	1¼" DOUBLE BOLT CLAMP HOSE		
23C	770101	30" X 1¼" PUSH LINE HOSE		
24	919583	¼" MPT x 5/16" TU PUSH-IN FITTING		
25	630838	1¼" CROSS		
26	608230	¼" DRAIN COCK VALVE		
27	632214	¼" x 1/8" REDUCER NIPPLE		
28	632018	1/8" BRASS T-STREET		
29	607075T	TC-1¼" NCV QUICK CONNECT		
30	919584	5/16" BLUE POLY. TUBE		
31	630105	¼" x 3" PA NIPPLE		
32	324560	¼" @ 90° PUSH-IN FITTING		
33	630851	1¼" PA MF ELBOW		
34	631160	2" @ 1¼" PA REDUCER		
35	608042	COMPLETE A7 ACTUATOR <sup>3</sup>		
36	631151	2" x 1¼" ADAPTOR		
37	631135	2" T-STREET FITTING		
38	630890	1¼" PA UNION		
39	608015	¼" 0-125 psi MINI REGULATOR		
40	611018	1/8" 0-160 psi PRESSURE GAUGE		
41	642454	¼" 3-2 NC 12 V DC SOLENOID VALVE		
42	606192	* DOUBLE RED AND GREEN HOSE	15'	C/W FITTINGS & ATTACHMENTS (EACH END)
	606191		30'	
	606193		55'	
	606199		70'	
	606203		80'	
	606202		90'	
	606195		105'	
	606205		115'	

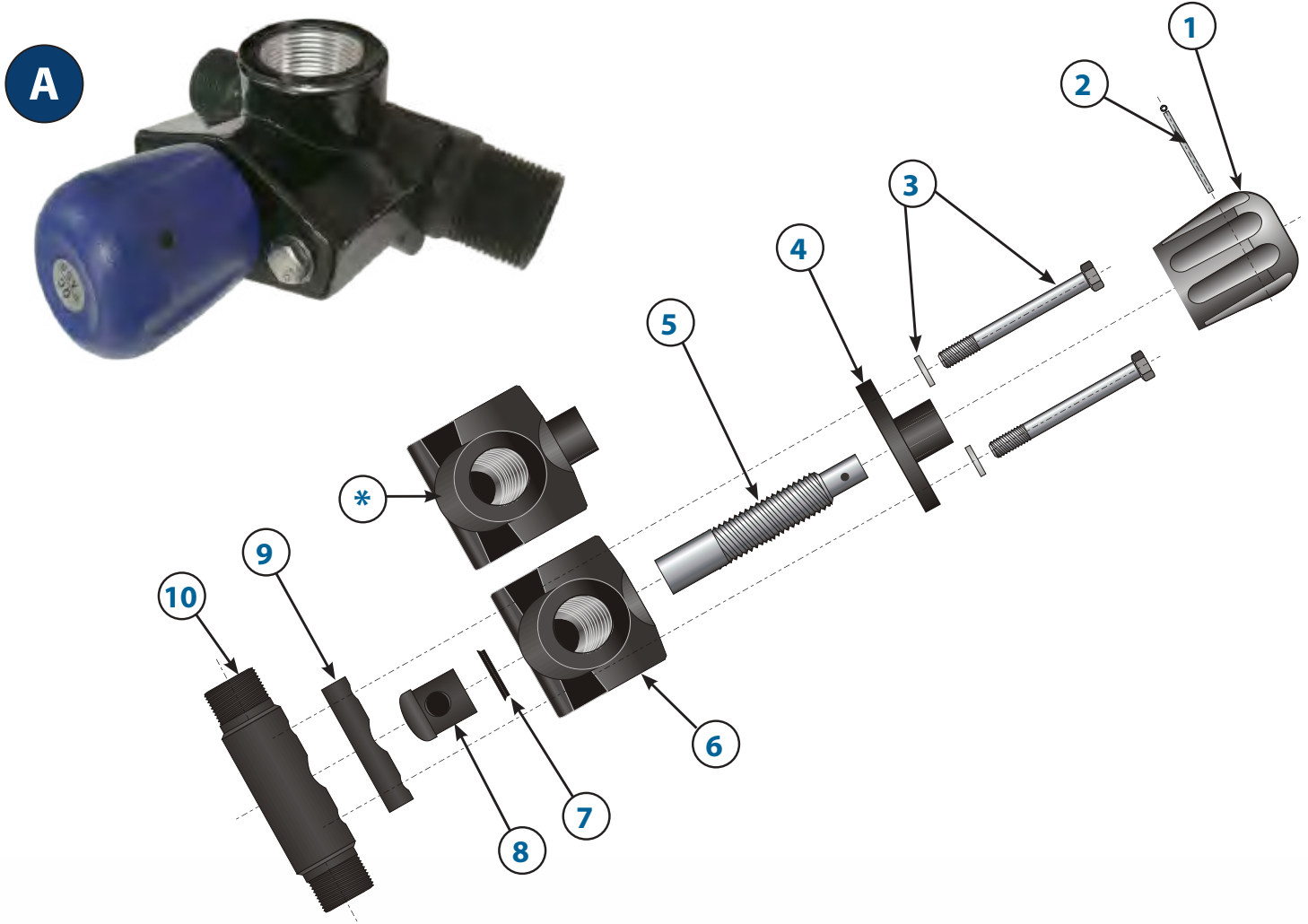
<sup>1</sup>See parts details page 58

<sup>2</sup>See parts details page 60

<sup>3</sup>See parts details page 58

\*Beyond 115', you must use an electric remote control.

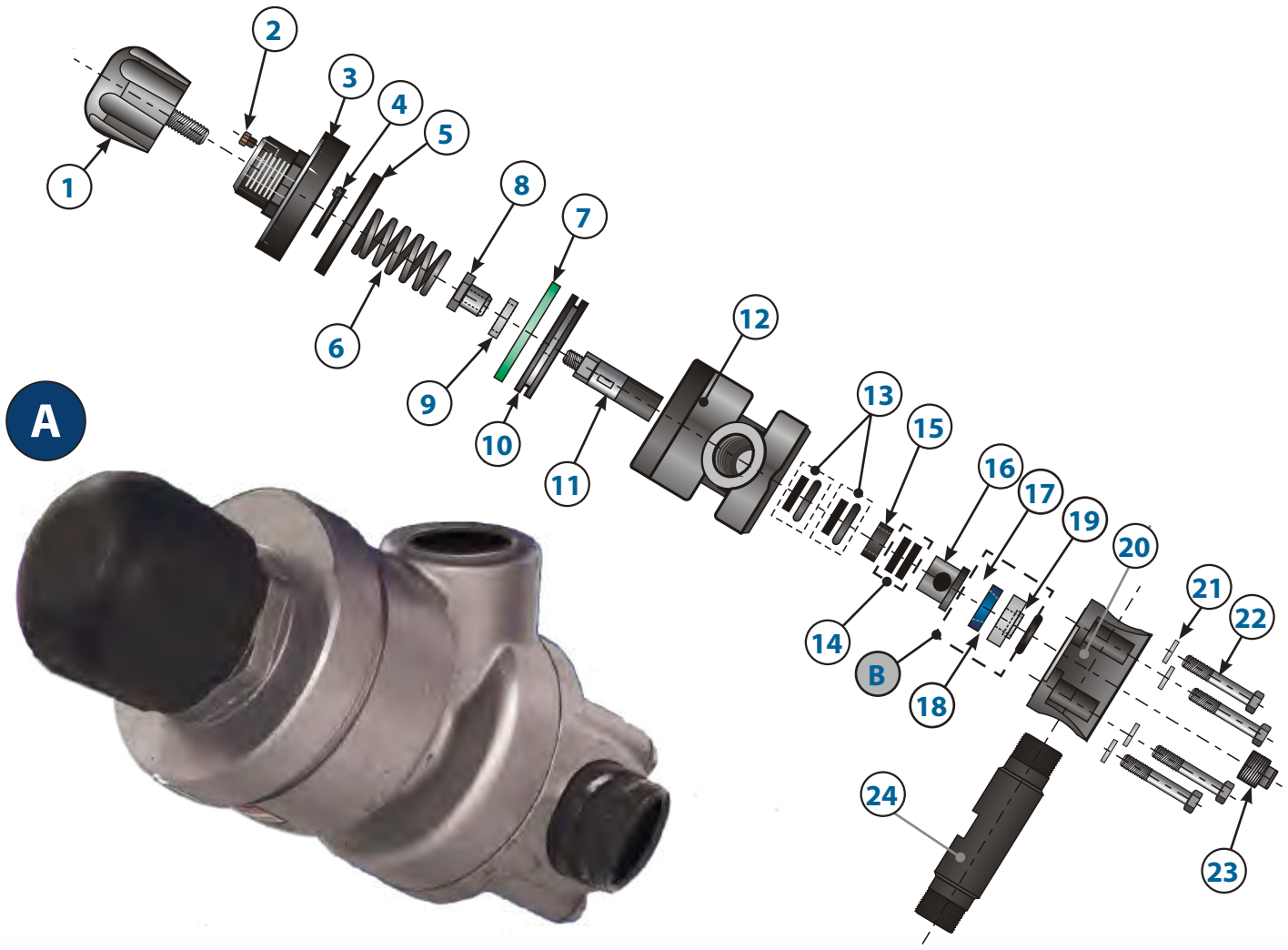
**SANDBLASTERS PPB-346/646/1046 : RC-176 PRESSURE RELEASE SYSTEM  
MMV-175 ABRASIVE METERING VALVE**



#	STOCK	DESCRIPTION	#	STOCK	DESCRIPTION
<b>A</b>	770070	MMV-175 COMPLETE ABRASIVE METERING VALVE ASSEMBLY			
1	770069	KNOB	6	770076	BODY
2	770079	ROLL PIN	7	770072	SEAL
3	770078	BOLT C/W WASHER	8	770074	URETHANE SLEEVE
4	770077	CAP	9	770075	GASKET
5	770073	PLUNGER	10	770071	PIPE NIPPLE 1¼" X 1¼" MALE

\* With this kind of body, the part #4 is not required

**SANDBLASTERS PPB-346/646/1046 : RC-186 PRESSURE HOLD SYSTEM (UNTIL 2017)**  
PMV-186 ABRASIVE REGULATOR VALVE - EXPLODED VIEW



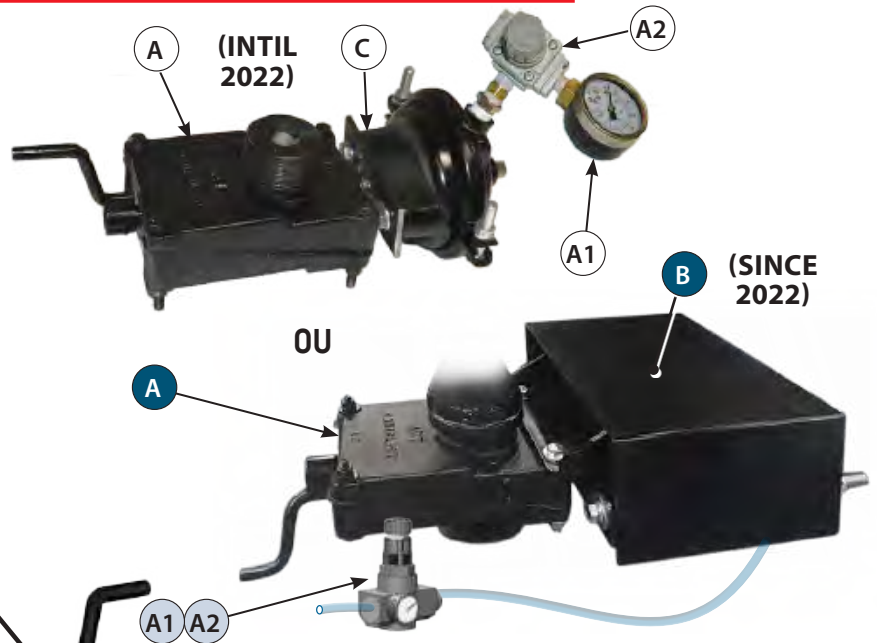
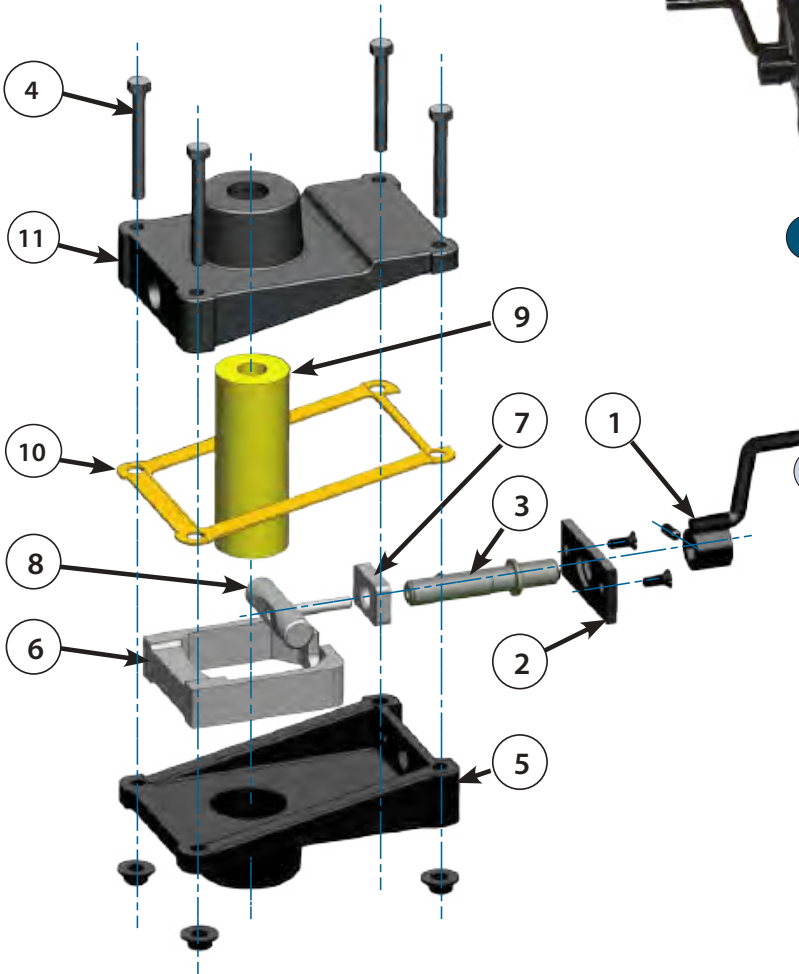
ID	PART #	DESCRIPTION
A	608847	PMV-186 COMPLETE VALVE ASSEMBLY
B	770211	TUNGSTEN SEAL KIT INCLUDING ITEMS: 17, 18, 19
C	770210	GASKET KIT INCLUDING ITEMS 7,13,14, 15, 16, 17, 18, 19

ID	PART #	DESCRIPTION
10	770213	PISTON
11	770204	TUNGSTEN PLUNGER
12	770214	CYLINDER
13	608830	PLUNGER SEAL C/WITH O-RING
14	770030	PLUNGER SEAL C/WITHOUT O-RING
15	770206	BUSH
16	608832	TUNGSTEN CARBIDE SLEEVE
17	608840	URETHANE SEAT
18	608841	SEAT HOLDER
19	608839	O-RING
20	770032	BASE
21	770207	FLAT WASHER
22	770033	HEX. HEAD BOLT
23	770209	SQUARE HEAD PLUG
24	770034	1 1/4" X 1 1/4" PIPE NIPPLE

#	CODE	DESCRIPTION
1	770021	CONTROL KNOB
2	770208	EXHAUST FILTER
3	770022	TOP
4	770201	ANTI-VIBRATION WASHER
5	770023	STOP RING
6	770024	RESSORT
7	770026	PISTON SEAL
8	770202	PLUNGER COVER
9	770203	NYLON WASHER

**AR7 + A6 OR A7 ABRASIVE METERTING REGULATORS**

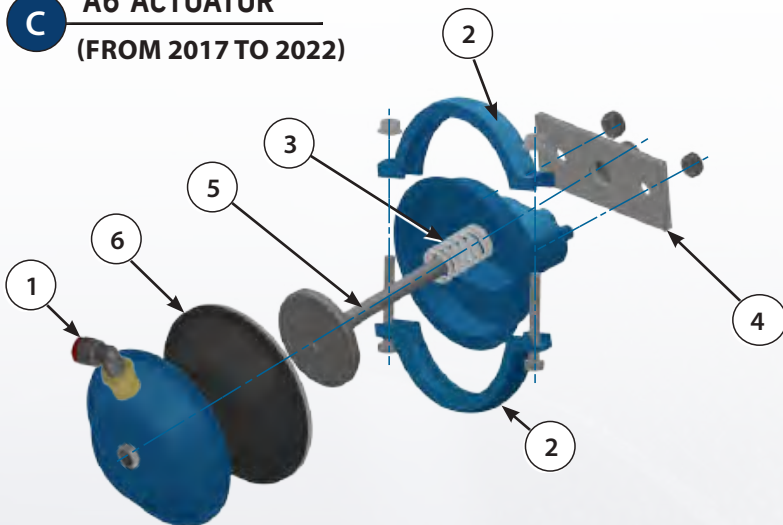
**A AR7 REGULATOR**



<b>A</b>	<b>608043</b>	<b>COMPLETE AR-7 REGULATOR</b>
<b>B</b>	<b>608042</b>	<b>COMPLETE A7 ACTUATOR</b>
<b>1</b>	<b>608093</b>	LEVER HANDLE
<b>2</b>	<b>608091</b>	RETAINING PLATE
<b>3</b>	<b>608039</b>	REGULATING SCREW
<b>4</b>	<b>608096</b>	CLAMPING BOLT (KIT)
<b>5</b>	<b>608047</b>	LOWER HOUSING
<b>6</b>	<b>608037</b>	CRUSHING BRACKET
<b>7</b>	<b>608040</b>	1/2" REGULATING PLATE
<b>8</b>	<b>608036</b>	CRUSHING TUBE
<b>9</b>	<b>618228</b>	RUBBER TUBE
<b>10</b>	<b>618231</b>	GASKET SEAL
<b>11</b>	<b>608046</b>	UPPER HOUSING

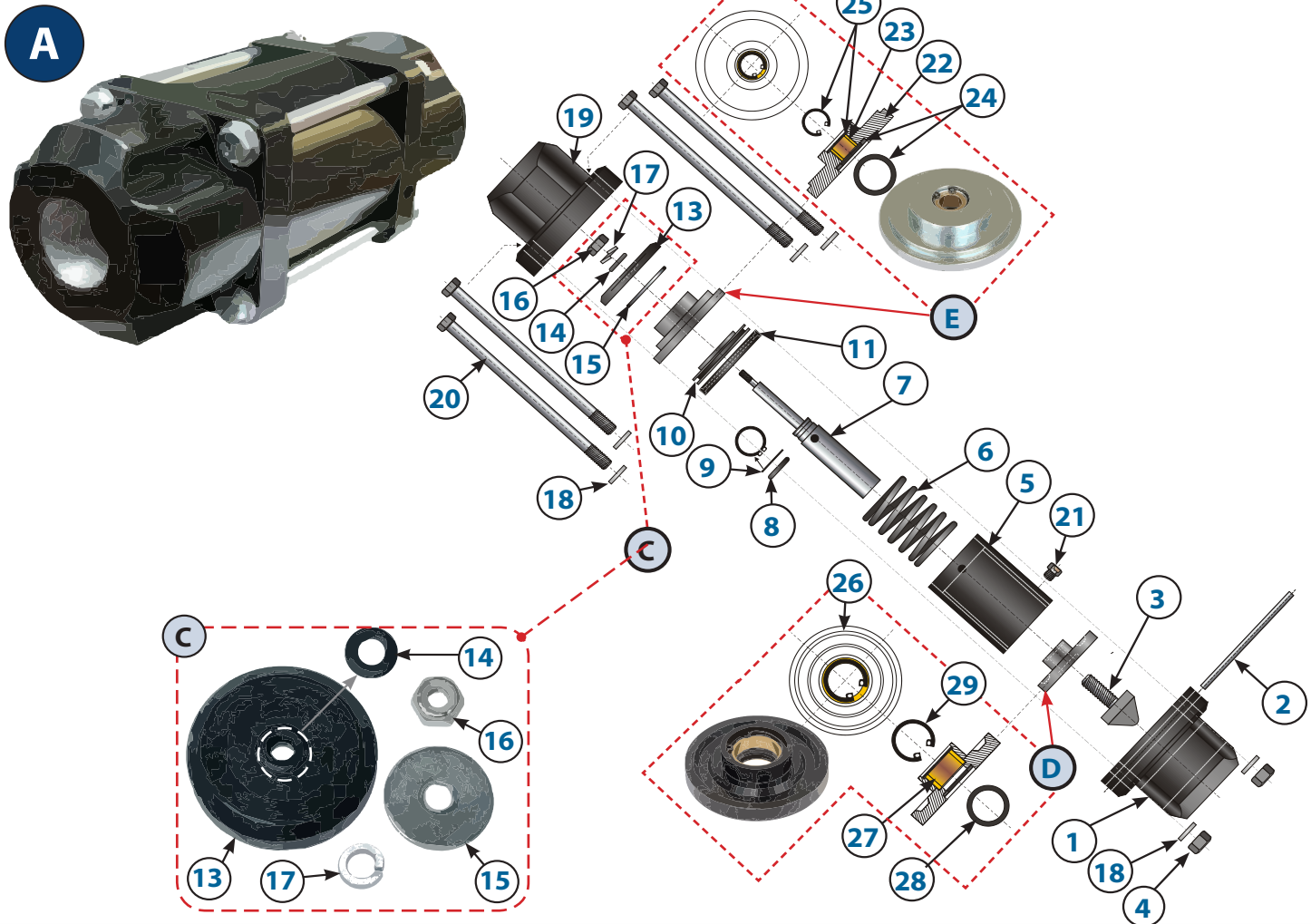
*Note: you can adjust the pressure control of the A6 or A7 using the pressure regulator (A1) and check it on the pressure gauge (A2)*

**C A6 ACTUATOR (FROM 2017 TO 2022)**



<b>C</b>	<b>608482</b>	<b>COMPLETE A6 ACTUATOR</b>
<b>1</b>	<b>324560</b>	PUSH-IN 1/4" @ 90°
<b>2</b>	<b>608488</b>	RETAINING COLLAR
<b>3</b>	<b>608487</b>	SPRING
<b>4</b>	<b>608481</b>	RETAINING PLATE
<b>5</b>	<b>608480</b>	PUSH ROD
<b>6</b>	<b>618216</b>	DIAPHRAGM

**SANDBLASTERS PPB-346/646/1046 : RC-176 PRESSURE RELEASE SYSTEM  
AV-176 COMBINED VALVE**

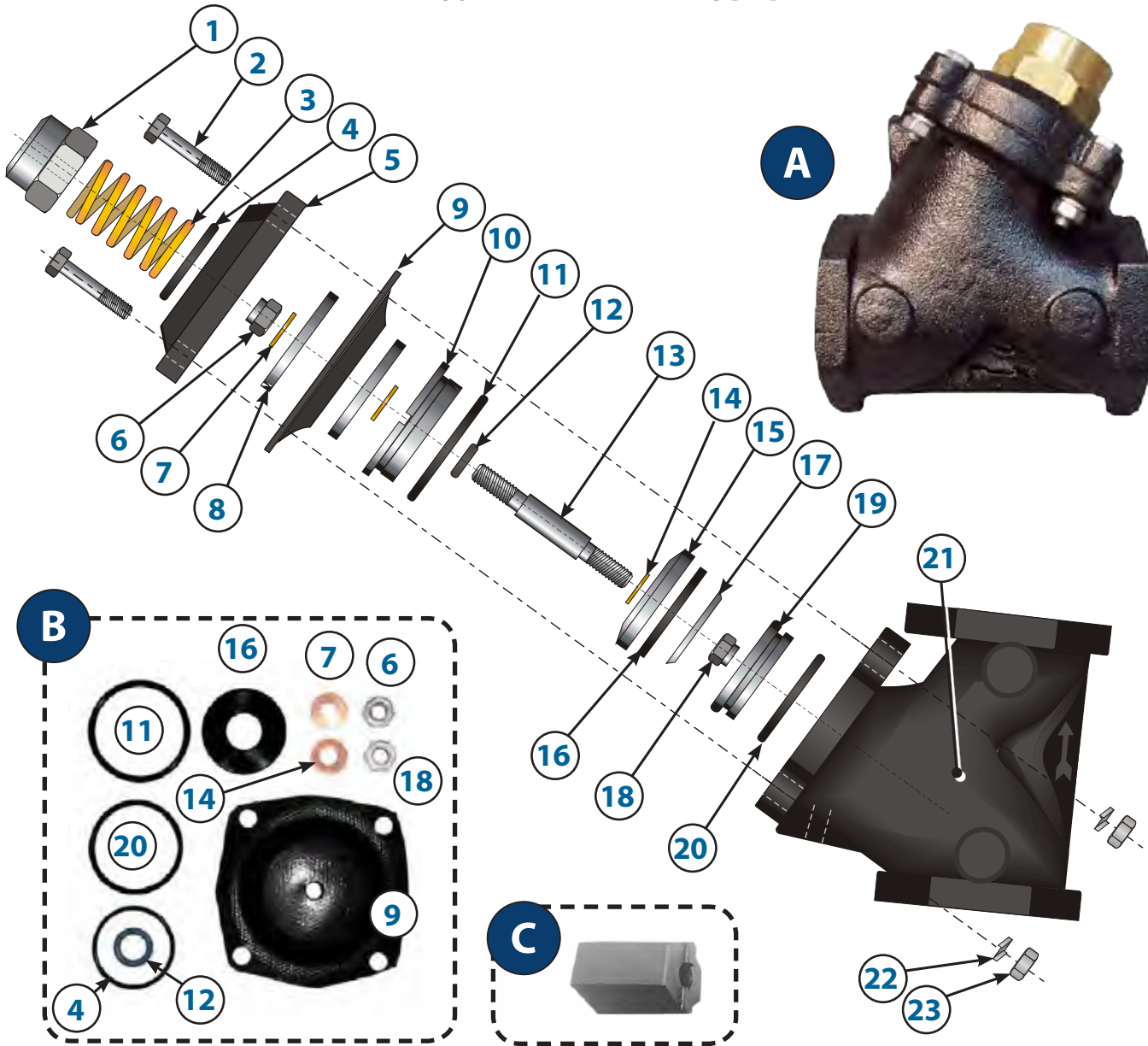


#	CODE	DESCRIPTION
A	608821	AV-176 COMPLETE VALVE ASS'Y
B	770182	GASKET KIT (8, 9, 11, 12, 13, 14, 16, 17, 24, 28, 29)
C	770183	CAP KIT (13, 14, 15, 16, 17)
D	770184	UPPER ROD ASS'Y (26, 27, 28, 29)
E	770185	LOWER ROD ASS'Y (22, 23, 24, 25)
1	770181	CAP
2	770191	ROD
3	770186	PINCH RAM
4	770199	NUT
5	770192	CYLINDER
6	770187	SPRING
7	770188	SHAFT
8	N/D	O-RING
9	N/D	CIRCLIP
10	770189	PISTON
11	770190	PISTON SEAL
12	N/D	VALVE CAP

#	CODE	DESCRIPTION
13	N/D	BASE
14	N/D	O-RING
15	N/D	FLAT WASHER
16	N/D	LOCKNUT
17	N/D	LOCK WASHER
18	770198	FLAT WASHER
19	770196	BASE
20	770197	HEX HEAD BOLT
21	770208	EXHAUST FILTER
22	770223	LOWER ROD GUIDE
23	770224	LOWER ROD GUIDE BUSH
24	770225	LOWER ROD SEAL
25	770226	CIRCLIP
26	770219	UPPER ROD GUIDE
27	770220	UPPER ROD GUIDE BUSH
28	N/D	UPPER ROD SEAL
29	N/D	CIRCLIP

**SANDBLASTERS PPB-346/646/1046 : RC-186 PRESSURE HOLD SYSTEM**

**AV-186 AIR VALVE - EXPLODED VIEW**



#	DESCRIPTION	1 1/4" Ø	1 1/2" Ø
A	AV-186 AIR VALVE: COMPLETE VALVE ASSEMBLY	608822	908846
B	SERVICE KIT INCLUDES ITEMS : 4, 6, 7, 9, 11, 12, 14, 16, 18, 20	608823	908944
C	SERVICE KIT INCLUDING THIS TOOL	608823A	908944A

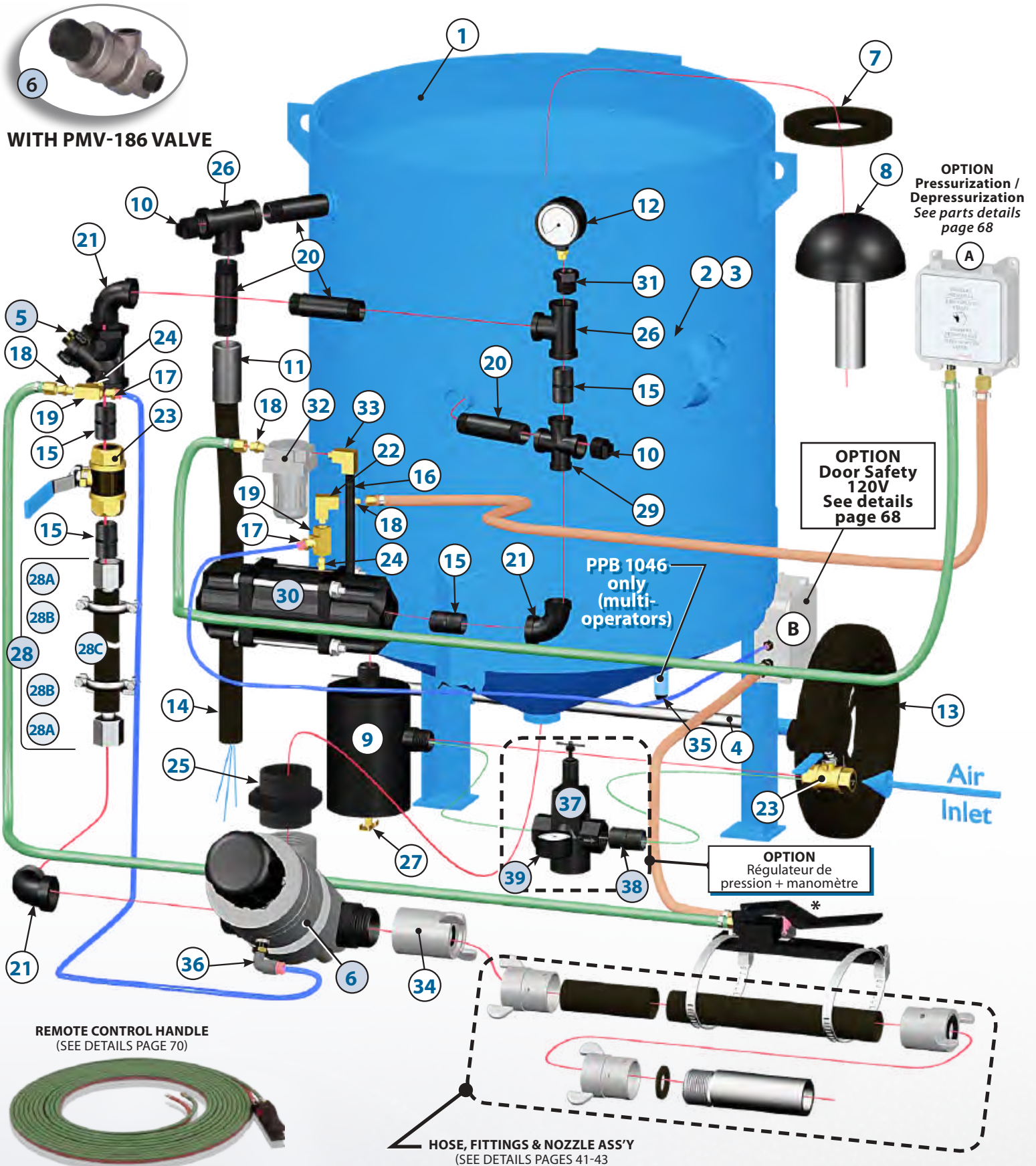
#	PART #	DESCRIPTION	QTY
10	608826	GUIDE BUSH	1
11	N-A	O-RING 45 MM X 3 MM	2
12	N-A	O-RING 9 MM X 2.65 MM	2
13	N-A	SHAFT	1
14	N-A	FLAT WASHER	1
15	608955	SEAT HOLDER	1
16	N-A	RUBBER GASKET	1
17	608954	RETAINER	1
18	N-A	LOCK NUT 1/4" UNF	1
19	N-A	INNER BUSH	1
20	N-A	O-RING 34 MM X 1.8 MM	1
21	N-A	BODY	1
22	N-A	SPRING WASHER 1/4"	4
23	N-A	NUT 1/4" UNC	4

#		DESCRIPTION	QTY
1	N-A	CAP	1
2	N-A	HEX MACHINE SCREW 1/4" UNC X 35 MM	4
3	608825	SPRING	1
4	N-A	O-RING 31.5 mm x 2 mm	1
5	N-A	CAP	1
6	N-A	LOCK NUT 5/16" UNF	1
7	N-A	FLAT WASHER 8 mm	2
8	N-A	FLAT WASHER	2
9	N-A	DIAPHRAGM	1

**THIS PAGE IS DELIBERATELY  
LEFT BLANK**

**SANDBLASTERS PPB-346/646/1046 : RC-176/186 COMBINED SYSTEM (UNTIL 2017)**

EXPLODED VIEW



**SANDBLASTERS PPB-346/646/1046 : RC-176/186 COMBINED SYSTEM (UNTIL 2017)**
**PARTS LIST**

#	STOCK	DESCRIPTION	#	STOCK	DESCRIPTION
1	713000	PRESSURE VESSEL ONLY (346)	17	324570	PUSH IN 1/8"
	723000	PRESSURE VESSEL ONLY (646)	18	632214	ADAPTOR 1/4" TO 1/8"
	733000	PRESSURE VESSEL ONLY (1046)	19	632018	TEE 1/8" FF
2	610056	ACCESS DOOR KIT (OLDER VERSION)	20	630805	NIPPLE 3" X 1/4"
	740102	ACCESS DOOR KIT (LG SERIE)	21	630851	1 1/4" X 90° ELBOW MF
3	618241	ACCESS DOOR GASKET (OLDER VERSION)	22	632026	STREET ELBOW 1/8"
	740101	ACCESS DOOR GASKET (LG SERIE)	23	608105	1 1/4" BALL VALVE
4	740001	AXLE (PPB 346)	24	632002	HEX. NIPPLE 1/8"
	740002	AXLE (PPB 646-1046)	25	770180	2" X 1 1/4" REDUCER BST
5	608822	AIR VALVE AV-186 <sup>1</sup>	26	630840	TEE 1/4"
6	608847	METERING VALVE PMV-186 <sup>2</sup>	27	608230	DRAIN COCK VALVE
7	740004	"O" RING (OLDER VERSION)	28	770100	PUSH LINE HOSE ASS'Y (28-A-B-C)
	740100	"O" RING (LG SERIE)	28A	607088	SWIVEL HOSE INSERT 1 1/4"
	740104	"O" RING FOR 10 pi <sup>3</sup> (LG SERIE)	28B	607087	DOUBLE BOLT CLAMP
8	740007	5" PLUNGER (OLDER VERSION)	28C	770101	PUSH LINE HOSE 30" X 1 1/4"
	610044	5" PLUNGER (LG SERIE)	29	630838	1 1/4" COUPLING CROSS
9	611053	1 1/4" MOISTURE SEPARATOR	30	608821	COMBO VALVE AV 176 <sup>3</sup>
10	630884	1 1/4" PLUG	31	630864	1 1/4" X 1/4" COUPLING
11	607051	NH-3/4" ALUM. NOZZLE HOLDER	32	611035	AIR LINE FILTER
12	611022	1/4" NTP GAUGE	33	632232	ELBOW 1/4" x 90° MF
13	740006	WHEEL	34	607075T	TANK COUPLING 1 1/4" NYLON
14	606003	HOSE 3/4" SBH	35	NPN	1 1/4" SQUARE PLUG
15	630801	1 1/4" NIPPLE	36	324560	1/4" @ 90° PUSH-IN FITTING
16	630111	6" X 1/4' NIPPLE	37	608025	1 1/4" PRESSURE REGULATOR
			38	630801	1 1/4" NIPPLE
			39	611022	1/4" MPT PRESSURE GAUGE

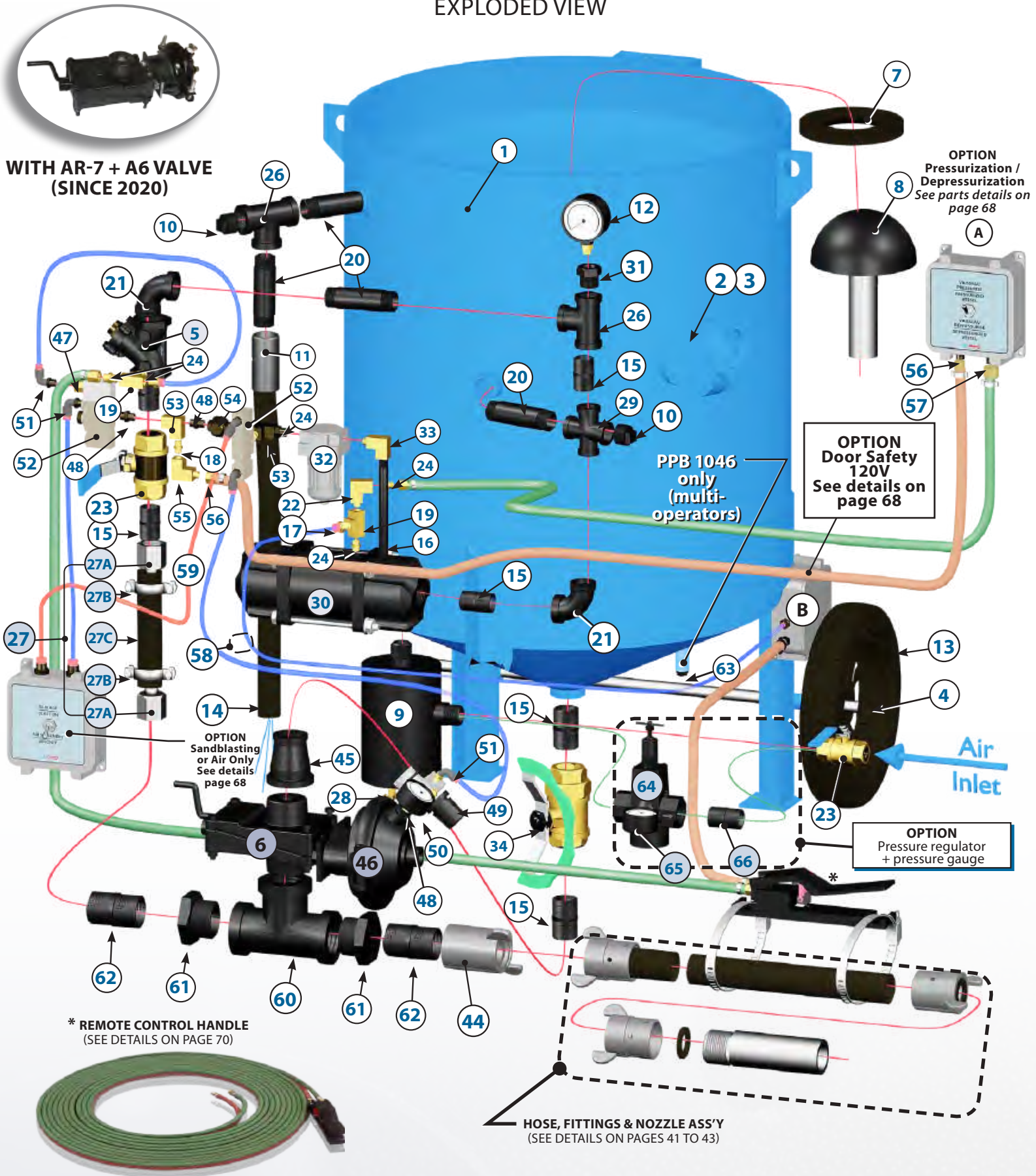
<sup>1</sup>See parts details on page 60

<sup>2</sup>See parts details on page 57

<sup>3</sup>See parts details on page 59

**SANDBLASTERS PPB-346/646/1046 COMBINED SYSTEM : RC-176/186 + AR7 & A6 (FROM 2017 TO 2022)**

EXPLODED VIEW



**SANDBLASTERS PPB-346/646/1046 COMBINED SYSTEM : RC-176/186 + AR7 & A6**
**PARTS LIST**

#	PART #	DESCRIPTION
1	713300	PRESSURE VESSEL ONLY (346)
	723000	PRESSURE VESSEL ONLY (646)
	733000	PRESSURE VESSEL ONLY ( MOD. 1046 )
2	610056	ACCES DOOR KIT (OLDER VERSION)
	740102	DOOR KIT (LG SERIE)
3	618241	ACCES DOOR GASKET (OLDER VERSION)
	740101	ACCES DOOR GASKET (LG SERIE)
4	619091	4" AXLE
5	608822	AV-186 AIR VALVE <sup>1</sup>
6	608043	AR-7 ABRASIVE REGULATOR <sup>2</sup>
7	740004	"O" RING
	740100	"O" RING (LG SERIE)
	740104	'O" RING FOR 10 FT <sup>3</sup> (LG SERIE)
8	740007	5" PLUNGER
	610044	5" PLUNGER (LG SERIE)
9	611053	1¼" WATER SEPARATOR
10	630884	1¼" PLUG
11	607051	NH-¾" ALUM. NOZZLE HOLDER
12	611022	¼" PRESSURE GAUGE
13	740006	WHEEL
14	606003	¾" SBH HOSE
15	630801	1¼" PA NIPPLE
16	630111	6" X ¼" NIPPLE
17	324570	⅛" PUSH-IN
18	632214	¼" TO ⅛" ADAPTOR
19	632018	⅛" FF BRASS T-STREET
20	630805	3" X 1¼" NIPPLE
21	630851	1¼" X 90° MF ELBOW
22	632026	⅛" ELBOW
23	608105	1¼" BALL VALVE
24	632002	⅛" HEX. NIPPLE
26	630840	1¼" "T"

#	PART #	DESCRIPTION	
27	770100	PUSH LINE HOSE ASS'Y (27-A-B-C)	
27A	607087	1¼" SWIVEL HOSE INSET	
27B	607088	DOUBLE BOLT CLAMP	
27C	770101	30" X 1¼" PUSH LINE HOSE	
28	608230	DRAIN COCK VALVE	
29	630838	1¼" COUPLING CROSS	
30	608821	AV 176 COMBO VALVE <sup>3</sup>	
31	630864	1¼" X ¼" COUPLING	
32	611035	AIR LINE FILTER	
33	632232	¼" @ 90° MF ELBOW	
34	908847	¼" BALL VALVE (IF EQUIPPED)	
44	607075T	1¼" NVC NYLON CHICAGO COUPLING	
45	631160	2" X 1¼" REDUCER	
46	608482	A6 ACTUATOR <sup>4</sup>	
47	324561	90° ⅛" NPT ¼" TU PUSH-IN CONNECTOR	
48	632202	¼" NIPPLE	
49	608015	¼" PRESSURE REGULATOR	
50	311002	⅛" PRESSURE GAUGE	
51	324560	¼" @ 90° PUSH-IN CONNECTOR	
52	608534	SOLENOID VALVE	
53	632226	¼" FFF BRASS T-STREET	
54	632260	¼" PL UNION	
55	632026	⅛" MF ELBOW	
56	632281	⅛" F.SW.X ¼" ST. PL ADAPTOR	
57	632279	¼" PIV. (SWIVEL) PL ADAPTOR	
58	324571	¼" BLUE POLY. HOSE	
59	324586	¼" RED POLY. HOSE	
60	631135	2" T-STREET	
61	631151	2" TO 1¼" ADAPTOR	
62	630801	1¼" NIPPLE	
63	NPN	1¼" SQUARE PLUG	
64	608025	1¼" PRESSURE REGULATOR	(OPTION)
65	611022	¼" MPT PRESSURE GAUGE	
66	630801	1¼" NIPPLE	

<sup>1</sup>See parts details on page 60

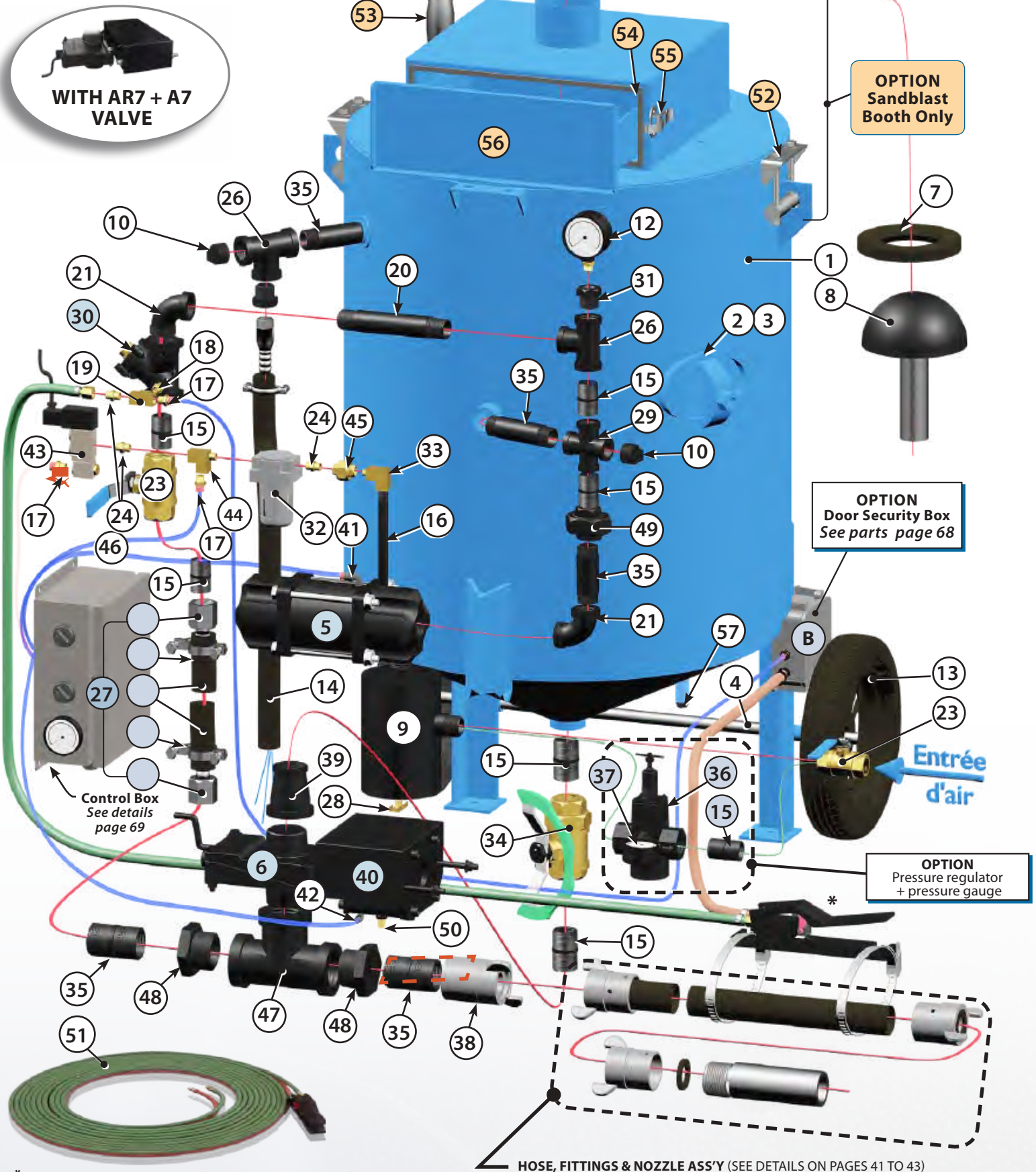
<sup>3</sup>See parts details on page 59

<sup>2</sup>See parts details on page 58

<sup>4</sup>See parts details on page 58

**PPB 346/646/1046 PRESSURE VESSEL COMBO SYSTEM RC-176/186 AR7 + A7 (SINCE 2022)**

EXPLODED VIEW



\*REMOTE CONTROL HANDLE (SEE DETAILS ON PAGE 70)

HOSE, FITTINGS & NOZZLE ASS'Y (SEE DETAILS ON PAGES 41 TO 43)

**PPB 346/646/1046 PRESSURE VESSEL COMBO SYSTEM RC-176/186 AR7 + A7 (SINCE 2022)**
**PARTS LIST**


#	PART #	DESCRIPTION
1	713000	PRESSURE VESSEL ONLY (346)
	723000	PRESSURE VESSEL ONLY (646)
	733000	PRESSURE VESSEL ONLY (1046)
2	740102	ACCES DOOR KIT
3	740101	ACCES DOOR SEAL
4	619091	4" AXLE WHEEL
5	608821	AV-176 <sup>1</sup> COMBO VALVE
6	608043	AR7 <sup>2</sup> ABRASIF REGULATOR
7	740100	O-RING
	740104	O-RING FOR 1046
8	610044	5" PLUNGER
9	611053	1 1/4" WATER SEPARATOR
10	630884	1 1/4" PLUG
11	630570	3/4" HOSE BARB FITTING
12	611022	1/4" PRESSURE GAUGE
13	740006	15" WHEEL (346-646)
14	606003	3/4" SBH HOSE
15	630801	1 1/4" PA NIPPLE
16	630111	6" x 1/4" NIPPLE
17	324558	1/4" MTP x 1/4" TU PUSH-IN FITTING
18	632214	1/4" TO 1/8" ADAPTOR
19	632224	1/4" FPT T-STREET
20	630809	5" x 1 1/4" PA NIPPLE
21	630851	1 1/4" @ 90° MF ELBOW
22	630861	1 1/4" TO 3/4" ADAPTOR
23	608105	1 1/4" BALL VALVE
24	632202	1/8" HEX. NIPPLE
25	607086	1" DOUBLE BOLT CLAMP
26	630840	1 1/4" PA T-STREET
27	770100	PUSH LINE HOSE ASS'Y (27-A-B-C)
27A	607088	1 1/4" SWIVEL HOSE INSET
27B	607087	DOUBLE BOLT CLAMP
27C	770101	30" X 1 1/4" PUSH LINE HOSE
28	608230	DRAIN COCK VALVE
29	630838	1 1/4" COUPLING CROSS
30	608822	AV 186 AIR VALVE ASS'Y <sup>3</sup>
31	630864	1 1/4" x 1/4" COUPLING

#	N° PIÈCE	DESCRIPTION		
33	632232	1/4" @ 90° MF ELBOW		
34	908847	1 1/4" UNION BALL VALVE		
35	630805	1 1/4" NIPPLE		
36	608025	1 1/4" PRESSURE REGULATOR (OPTION)		
37	611022	1/4" MTP PRESSURE GAUGE (OPTION)		
38	607075	1 1/4" NVC NYLON HOSE COUPLING		
39	631160	2" x 1 1/4" REDUCER		
40	608042	A7 ACTUATOR (COMPLETE) <sup>4</sup>		
41	324561	90° 1/8" NPT x 1/4" TU PUSH-IN FITTING		
42	908815	1/4" MPT x 5/16" TU @ 90° PUSH-IN FITTING		
43	608534	TAC3 PILOT VALVE		
44	632226	1/4" BRASS T-STREET		
45	632260	1/4" PL UNION		
46	324571	1/4" BLUE POLY. TUBE		
47	631135	2" PL T-STREET		
48	631151	2" TO 1 1/4" ADAPTOR		
49	630890	1 1/4" UNION		
50	608117	1/4" MUFFLER		
51	606192	* DOUBLE RED AND GREEN HOSE	15'	C/W FITTINGS & ATTACHMENTS (EACH END)
	606191		30'	
	606193		55'	
	606199		70'	
	606203		80'	
	606202		90'	
	606195		105'	
	606205		115'	
52	609270-51	COVER BRACKET		
53	630895	1 1/4" PA OVERPRESSURE HOSE CONNECTOR		
54	618318	DEBRIS DRAWER GASKET		
55	610269	DRAWER LOCKER		
56	609903	DEBRIS DRAWER		
57	NPN	1 1/4" SQUARE PLUG		

<sup>1</sup> See parts details page 59

<sup>2</sup> See parts details page 58

<sup>3</sup> See parts details page 60

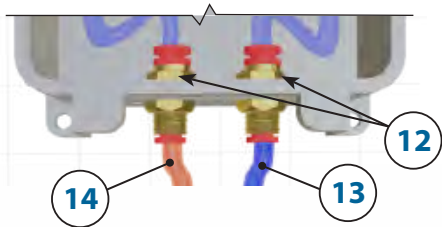
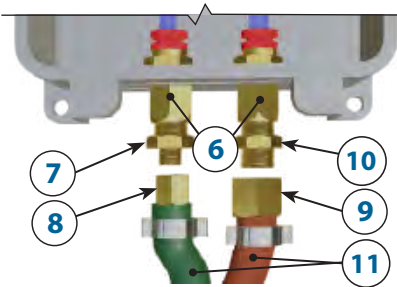
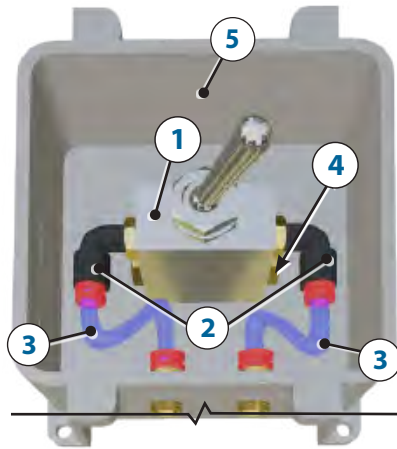
<sup>4</sup> See parts details page 58

\* Beyond 115', you must use an electric remote control.

## REMOTE CONTROL BOXES FOR SANDBLAST BOOTHS

FOR 646/1046 SANDBLASTERS WITH RC176/RC-186 COMBO SYSTEM - PARTS DETAILS

UNTIL 2022



### CONTROL BOX WITH PNEUMATIC SWITCH

#	STOCK	DESCRIPTION
1	608528	PILOT VALVE TAC 2 #41V
2	324561	90° PUSH-IN FITTING 1/8" NPT 1/4" TU
3	324571	1/4" POLYURETHANE BLUE HOSE (SOLD BY FOOT)
4	632050	1/8" MALE PLUG
5	617336	PVC JUNCTION BOX

### DEPRESSURIZATION BOX (CONNECTIONS)

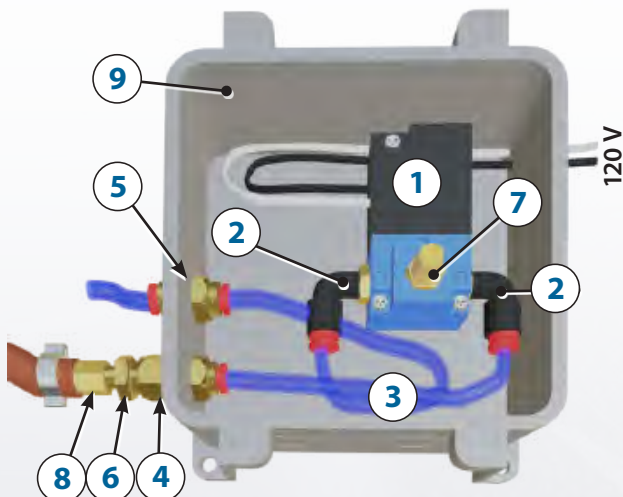
A	STOCK	DESCRIPTION
A	616075	COMPLETE BOX ASSEMBLY
6	324503	BULKHEAD PUSH-IN FITTING 1/4" TU X 1/4" FPT
7	632214	HEXAGONAL NIPPLE 1/4" x 1/8" MPT
8	632281	1/4" ID X 1/8" FPT SWIVEL HOSE BARB FITTING
9	632279	1/4" ID X 1/4" FPT SWIVEL HOSE BARB FITTING
10	632202	1/4" X 1/4" MPT HEXAGONAL NIPPLE
11	606190	1/4" GREEN/RED TWIN HOSE (SOLD BY FOOT)

### AIR ONLY BOX (CONNECTIONS)

A	STOCK	DESCRIPTION
A	-/-	COMPLETE BOX ASSEMBLY
12	324502	BULKHEAD PUSH-IN UNION FITTING 1/4" TU
13	324571	1/4" BLUE POLYURETHANE HOSE (SOLD BY FOOT)
14	324586	1/4" RED POLYURETHANE HOSE (SOLD BY FOOT)

### DOOR SECURITY BOX

#	STOCK	DESCRIPTION
A	616074	COMPLETE BOX ASSEMBLY
1	608574	SOLENOID VALVE
2	324561	90 ° PUSH-IN FITTING 1/8" MPT x 1/4" TU
3	324571	1/4" BLUE POLYURETHANE HOSE (SOLD BY FOOT)
4	324503	BULKHEAD PUSH-IN FITTING 1/4" TU X 1/4" MPT
5	324502	BULKHEAD PUSH-IN UNION FITTING 1/4" TU
6	632214	HEXAGONAL ADAPTER 1/4" x 1/8" MPT
7	608284	MUFFLER 1/8" MPT
8	632281	1/4" ID x 1/8" FPT SWIVEL HOSE BARB FITTING
9	617336	PVC JUNCTION BOX



## CONTROL BOXES FOR SANDBLAST BOOTHS

for 646/1046 SANDBLASTERS WITH RC176/RC-186 COMBO SYSTEM – PARTS DETAILS

SINCE 2022

### **A** PRESSURIZED/DEPRESSURIZED VESSEL SWITCH

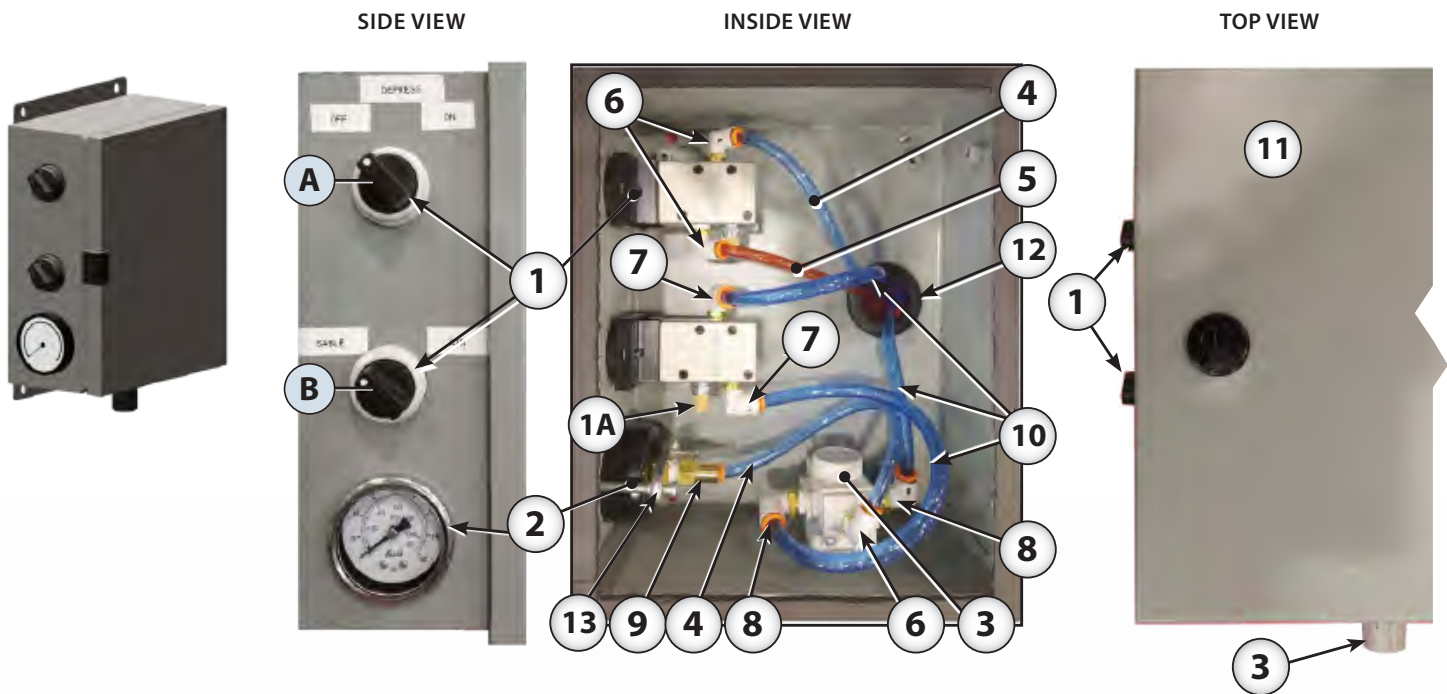
The depressurization switch allows the operator to fill up its pressure pot without the hassle of leaving the booth and taking off the safety equipment.

This switch controls the AV-176 Combo Air Valve to release the pressure inside the blast pot, allowing the plunger to fall and let the blast media contained into the recovery hopper to fill up the pot.

### **B** BLAST ON/AIR ONLY SWITCH

A pneumatic cut-off switch is provided to turn your blast hose into a powerful air blower producing high velocity compressed air to blow dust off of the workpiece and to clean the floor by blowing abrasive media remains towards the nearest floor recovery hopper. This switch controls the opening and closing of the abrasive metering valve.

When sandblasting is completed, the operator simply places the switch to the "AIR ONLY" position, stopping the flow of abrasive. The air valve remains open so that only high-speed compressed air flows through the nozzle.



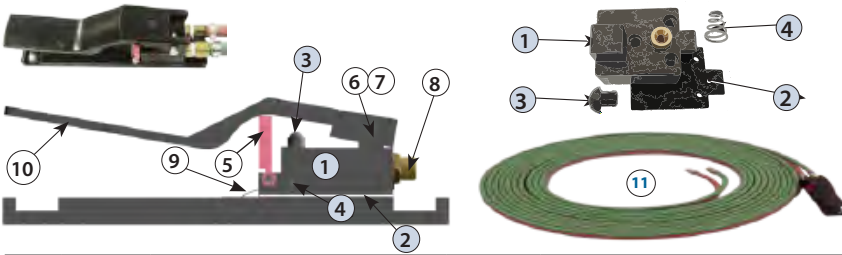
ID	Part #	Description
1	920062	PNEUMATIC SWITCH
1A	608284	MUFFLER
2	740013	1/8" PRESSURE GAUGE
3	608015	1/4" PRESSURE REGULATOR
4	324571	1/4" BLUE POLYESTER TUBE
5	324586	1/4" RED POLYESTER TUBE
6	324561	90° 1/8" MTP - 1/4" T. PUSH-IN FITTING

ID	Part #	Description
7	740009	90° 1/8" MTP - 5/16" T. PUSH-IN FITTING
8	908815	90° 1/4" MTP - 5/16" T. PUSH-IN FITTING
9	324572	1/8" MTP - 1/4" T. PUSH-IN FITTING
10	919584	5/16" BLUE POLYESTER TUBE
11	776130	10" H x 8" L x 4" D JUNCTION BOX
12	612452	1 3/16" ID BLACK PLASTIC PLUG
13	618131	SBH-1/2" X 1-5/16" GROMMET

## PNEUMATIC REMOTE CONTROLS

Valid up to 115' max. Beyond that, you must use an electric remote control system.

### **A** STANDARD PNEUMATIC CONTROL HANDLE

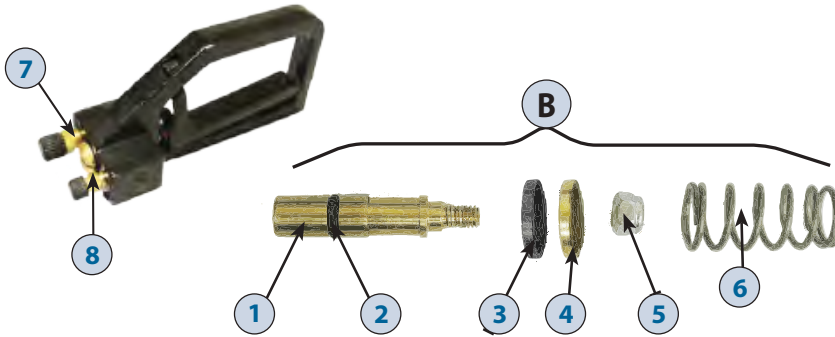


#	Part #	DESCRIPTION	Part #	DESCRIPTION
11	606192	15' RED & GREEN DOUBLE HOSE	606203	80' RED & GREEN DOUBLE HOSE
	606191	30' RED & GREEN DOUBLE HOSE	606202	90' RED & GREEN DOUBLE HOSE
	606193	55' RED & GREEN DOUBLE HOSE	606195	105' RED & GREEN DOUBLE HOSE
	606199	70' RED & GREEN DOUBLE HOSE	606205	115' RED & GREEN DOUBLE HOSE

*Complete sets with fittings & fasteners (each end)*

ID	PART #	DESCRIPTION
A	908006	Complete Pneumatic Remote Control
B	770061	Repair Kit For Control Handle (Includes items: 1, 2, 3, 4)
1	NPN	Manifold
2		Gasket
3		Plunger Plug
4		Plunger Spring
5	770062	Safety Lever Lock
6	770060	Shoulder Screw
7	770064	Locking Nut
8	632214	Hex. Nipple 1/4" x 1/8" NPT (x2)
9	770052	Return Spring
10	908039	Remote Control Lever

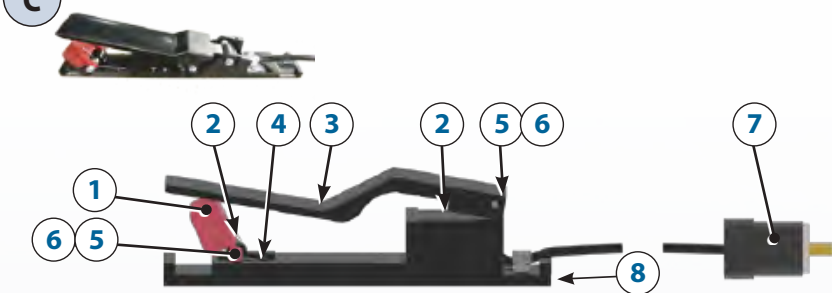
### **A** PNEUMATIC "D" CONTROL HANDLE



A	608800	Complete Control Handle
B	608804	Repair Kit, includes parts 1 to 6
1	608806	Piston
2	608808	O Ring
3	PNP	Rubber Washer
4	608810	Washer
5	608809	Nut
6	608807	Spring
7	632201	Hexagonal Nipple- PL 1/4"
8	632002	Hexagonal Nipple- PL 1/8"

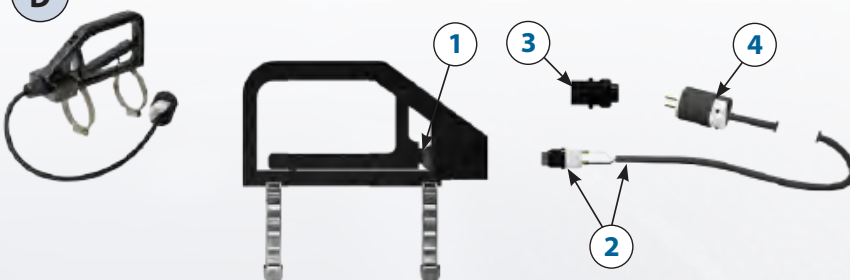
## ELECTRICAL REMOTE CONTROL SYSTEMS

### **C** STANDARD ELECTRIC REMOTE CONTROL HANDLE



ID	PART #	DESCRIPTION
C	770160	Complete handle
1	770051	Safety Lever
2	770052	Spring
3	770054	Handle
4	770063	Switch
5	770060	Shoulder Screw
6	770064	Locking Nut
7	616410	Electric Plug
8	770055	Base

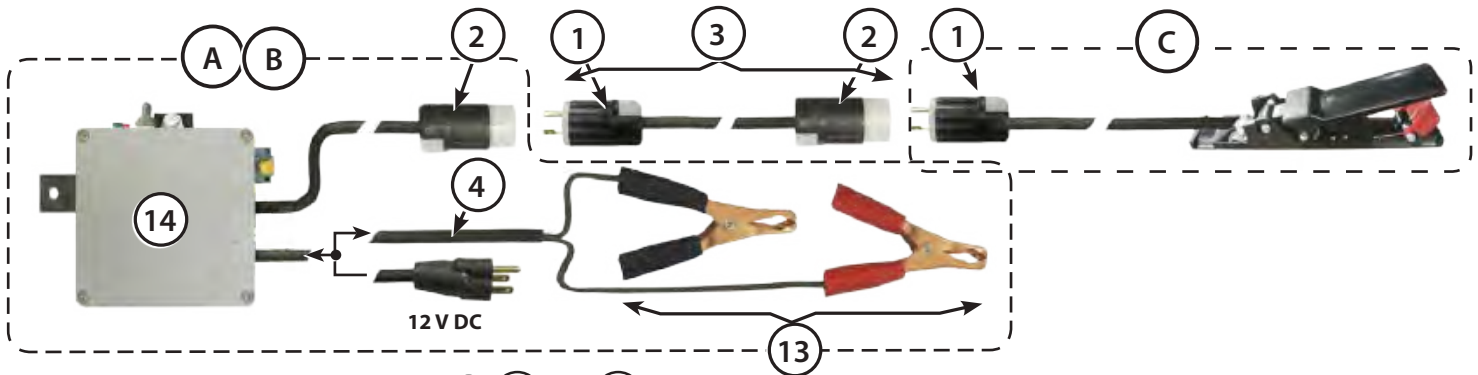
### **D** D-HANDLE ELECTRIC REMOTE CONTROL



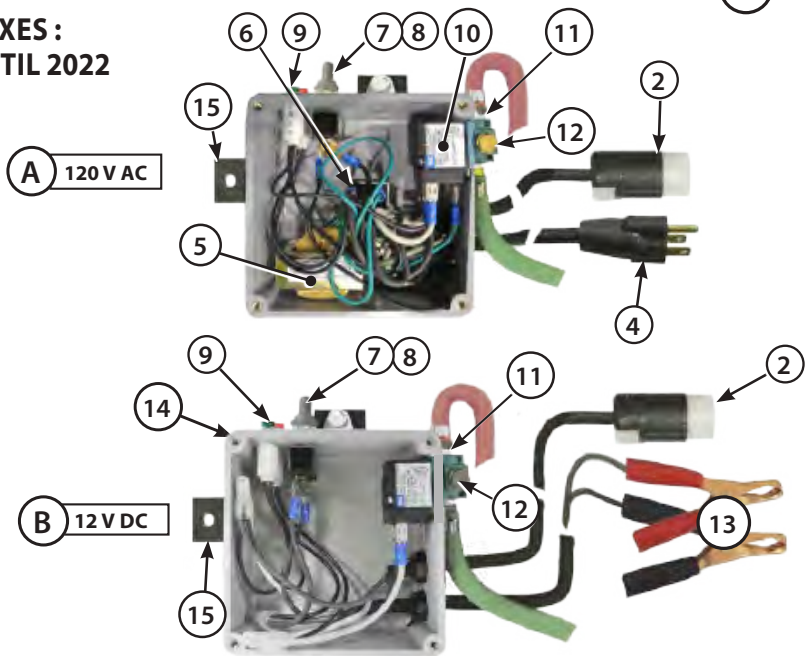
ID	PART #	DESCRIPTION
D	608801	Complete handle
1	NPN	Boot, Push Button
2	NPN	Switch, Push Button Assembly
3	NPN	Strain Relief Fitting
4	NPN	Male Twist-Lock Connector, 2 prong

(See box details next page)

**ELECTRICAL REMOTE CONTROL SYSTEMS (CONT'D)**

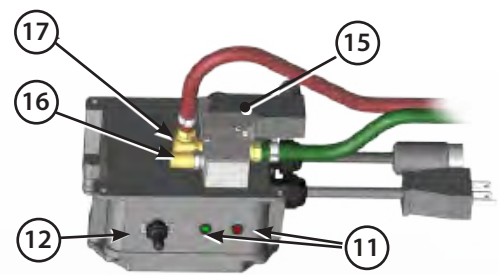
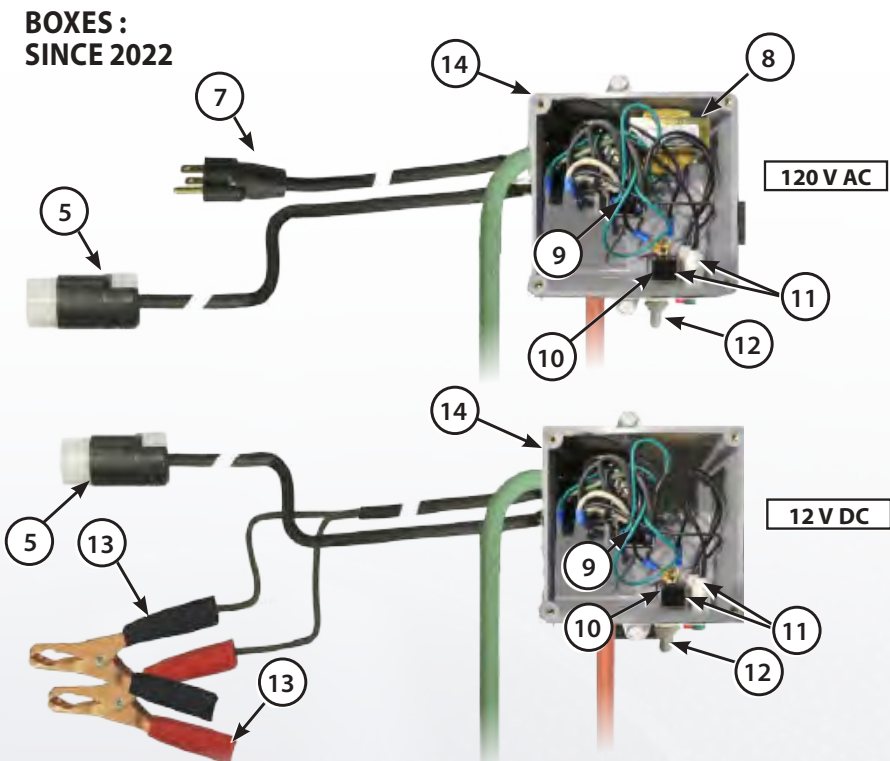


**BOXES:  
UNTIL 2022**



#	PART #	DESCRIPTION
A	616070	120 V AC Remote Control
B	616068	12 V DC Remote Control
1	616410	Male Electric Plug
2	616411	Female Electric Plug
3	616519	30' Extension Cable
	616520	55' Extension Cable
	616522	105' Extension Cable
4	616585	Electric Plug & Wire
5	617205	120 -12 V Transformer
6	617240	Diode
7	617014	E3 Switch
8	617019	Switch Protector E3
9	617104	12 V red indicator lamp
	617105	12 V green indicator lamp
10	608565	Solenoid valve 12 V NC
11	632273	PL 1/4" x 1/8" NPT Adaptor
12	608284	1/8" MPT Muffler
13	616105	12 V Clips (pair)
14	617336	Junction Box
15	616096	Control Bracket

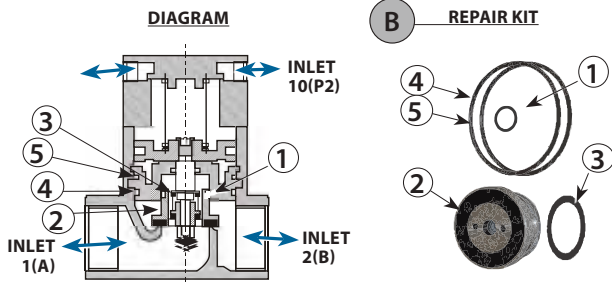
**BOXES:  
SINCE 2022**



#	PART #	DESCRIPTION
5	616410	Male Electric Plug
7	616585	Electric Plug & Wire
8	612445	120 -12 V Transformer
9	617240	Diodes
10	617014	E3 Switch
11	612443	12 V red indicator lamp
	612444	12 V green indicator lamp
12	617019	Switch Protector E3
13	616105	12 V Clips (pair)
14	617336	Junction Box
15	642454	3-2 NC 1/4" FPT Solenoid Valve
16	608117	1/4" Muffler
17	632232	1/4" Brass Elbow

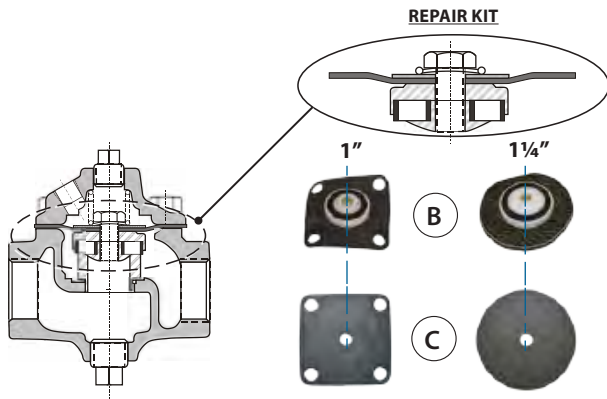
**ACTUATORS, REGULATORS & VALVES (UNTIL 2009)**

**PILOT VALVE 70/80 TYPE**



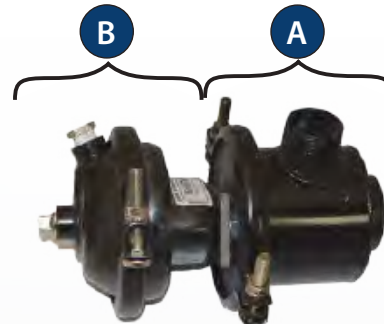
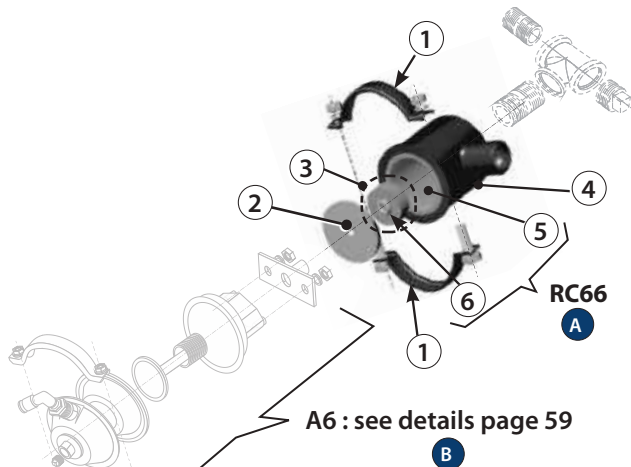
		Size	
A	Pilot Valve Complete Assembly	1"	1 1/4"
		608309	608307
B	Seat and Seal Gasket Repair Kit Including # 1-2-3-4-5	608316	608317

**DIAPHRAGM VALVE 66/76 TYPE**



		Size	
A	Diaphragm Valve Complete Assembly	1"	1 1/4"
		608302	608303
B	Diaphragm and Seal Gasket Repair Kit (pre-assembled)	608332	608333
C	Diaphragm only	608322	608323

**A6/RC66 DEPRESSURIZATION VALVE SYSTEM**



#	PART #	Description
A	608951	Complete depressurization valve
B	608482	Complete A6 Actuator (see details p. 58)
1	608488	Retaining collar
2	608994	Tapped cover
3	608960	Complete plug
4	608961	Welded body (#7 included)
5	618214	RC66 lining
6	618217	Rubber plug only

## BREATHABLE AIR SYSTEM

You will find various air filtration systems for supplying a hood blasting. A set using the carbon filter and activated alumina to remove most oils and condensation, particles, odors and organic vapors questions. And a multi-gas detector that can detect carbon monoxide.

These two assemblies are provided with pressure regulator for supplying blasting hood. They can also be used for one of two hoods blasting. A breathing air system including ambient air pump is also available. The pump is activated by a air electric motor with a power of 3/4 hp and 10 cubic feet @ 10 lb/pc. Excellent to provide quality breathing air to the operator.



**HOSE FOR  
HIGH-PRESSURE SYSTEM**



**AIR PURIFIER  
CAN SUPPLY AIR FOR  
FOR 2 SANDBLAST HOODS**



**AIR FED HOODS**



**HOSE FOR AMBIENT  
AIR PUMP**



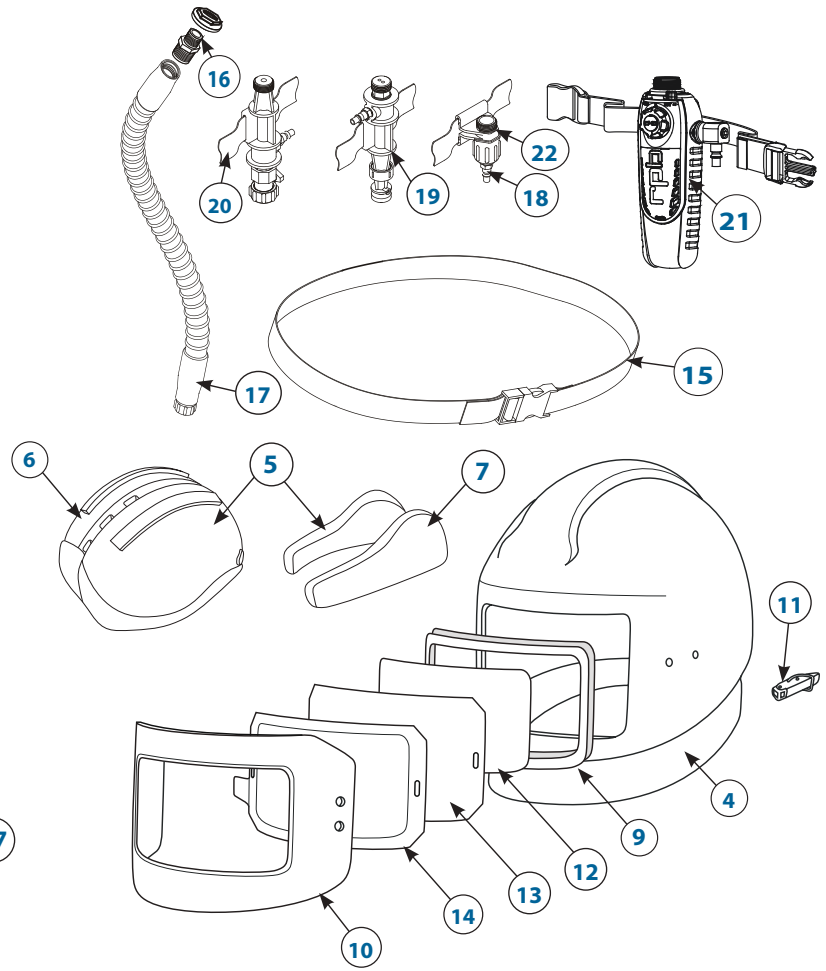
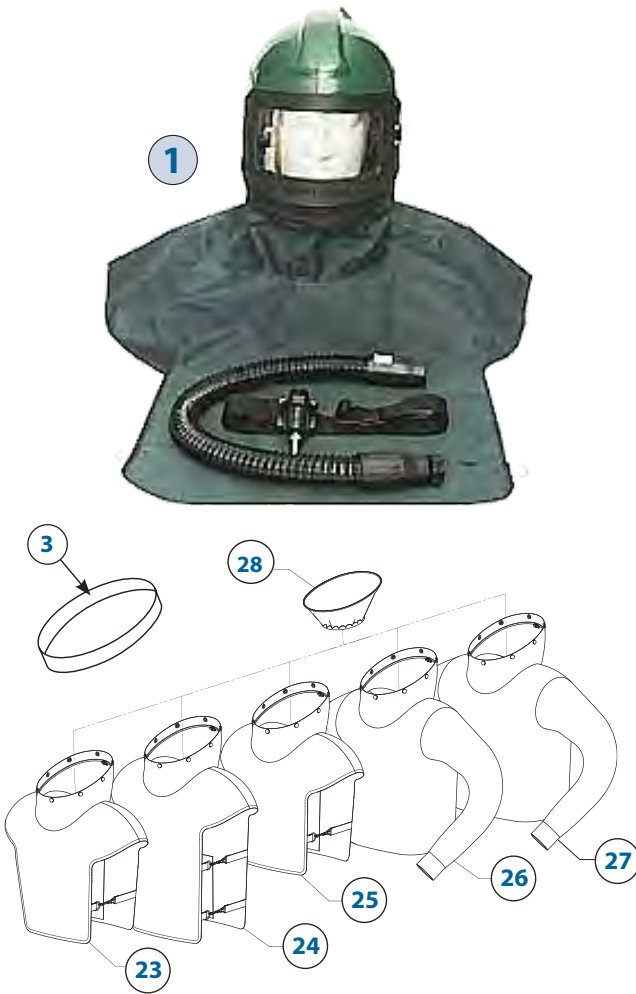
**RPB GX4 GAS MONITOR  
MULTI-GAS DETECTOR**



**3/4 HP ELECTRIC POWERED  
AMBIENT AIR PUMP  
CAPACITY 10 CFM @ 10 PSI**

**NOVA 2000 HOOD**

**SAFETY EQUIPMENT**

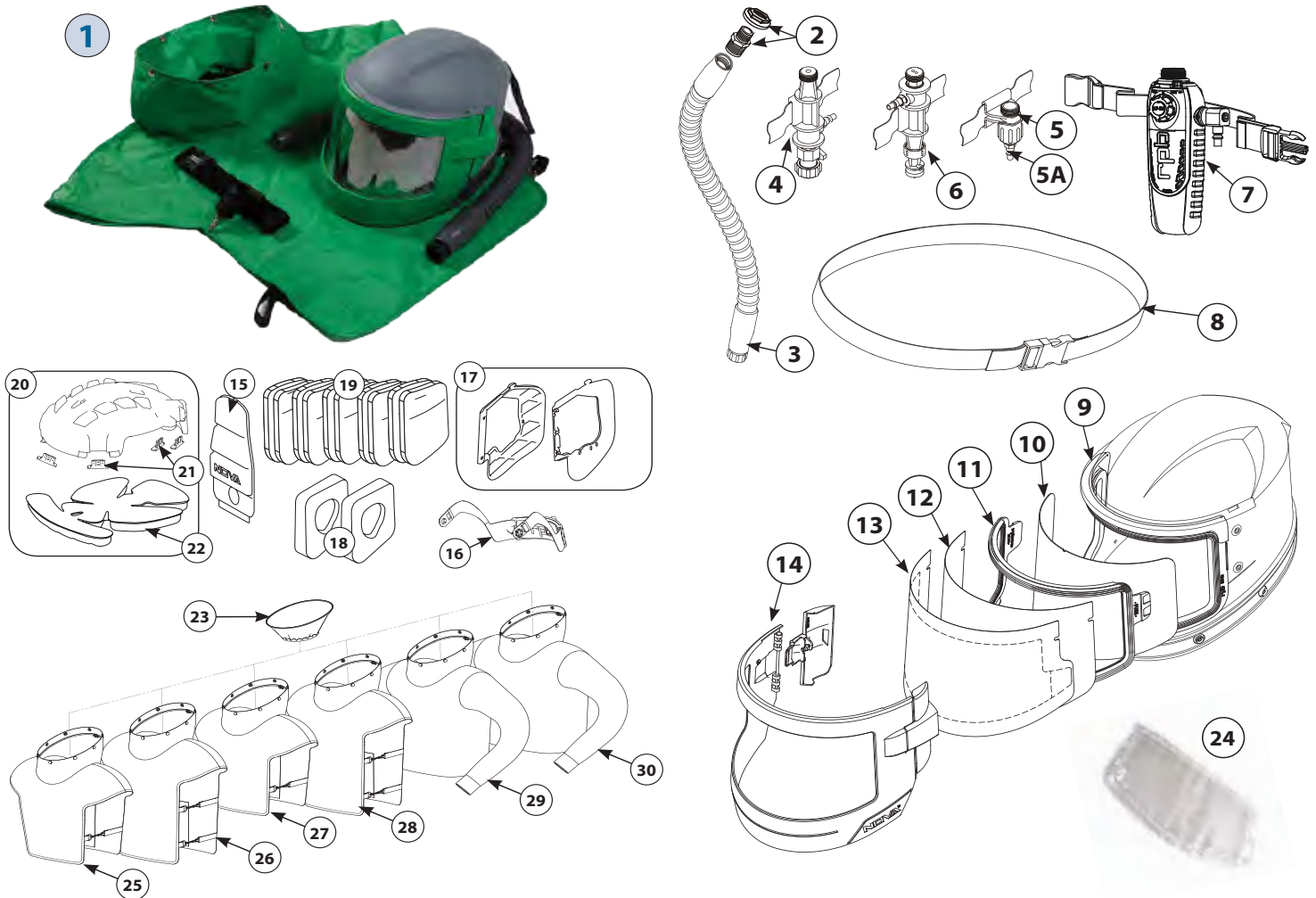


#	STOCK	DESCRIPTION
1	NV2000	NYLON CAPE, FLOW CONTROL VALVE
3	NV2012	INNER BIB
4	NV2013	CAPE COVER BAND
5	NV2009-10LH	NOVA 2000 HYGIENE KIT SIZE LARGE
	NV2009-10	HYGIENE KIT SIZE MEDIUM
	NV2009-10SH	HYGIENE KIT SIZE SMALL
6	NV2009	HELMET LINER SIZE MEDIUM
7	NV2010	SIDE WINGS M (PAIR)
8	NV2034	QUICK CONNECT 3/8" MNPT
9	NV2003	WINDOW FRAME GASKET
10	NV2004	VISOR KIT
11	NV2008	LATCH KIT
12	NV2018	INNER LENS - PK 10 (4 3/4" x 8 3/4")
13	NV2031-015	OUTER LENS - PK 50
14	NV2017	TEAR-OFF LENS - PK 50

#	STOCK	DESCRIPTION
15	NV2022	BELT
16	03-035	AIR INLET KIT
17	NV2021	SAR BREATHING TUBE FOR ASTRO & NOVA 2000
18	4000-06	QUICK RELEASE TAIL 1/4" MALE THREAD
19	4000-01	COOL AIR TUBE ASSEMBLY
20	4000-20	HOT AIR TUBE WITH MBSP THREAD & BELT
21	03-501	C40 CLIMATE CONTROL DEVICE
22	NV2016	FLOW CONTROL VALVE
23	NV2002	NYLON RESPIRATOR CAPE
24	NV2002XL	EXTRA LENGTH NYLON RESPIRATOR CAPE
25	NV2002L	LEATHER CAPE 28"
26	NV2002HB-XL	LEATHER CAPE 38" XL
27	NV2002HB-XXL	BLASTING JACKET XXL
28	NV2012	INNER BIB

**NOVA 3 HOOD**

**SAFETY EQUIPMENT (CONT'D)**



#	STOCK	DESCRIPTION
1	NV3-702-50	FLOW CONTROL, NYLON CAPE
2	03-035	AIR INLET KIT
3	NV2021	SAR BREATHING TUBE
4	4000-20	HOT AIR TUBE C/W BELT
5	NV2016	FLOW CONTROL VALVE
5A	4000-06	QUICK RELEASE TAIL 1/4" MALE THREAD
6	4000-01	COOL AIR TUBE ASSEMBLY
7	03-501	C40 CLIMATE CONTROL DEVICE
8	NV2022	BELT
9	NV3-721	INNER GASKET
10	NV3-722	INNER LENS (PK. OF 10)
11	NV3-723	INNER LENS FRAME
12	NV3-724	OUTER LENS (PK. OF 50)
13	NV3-725	TEAR-OFF LENS (PK. OF 50)
14	NV3-726	VISOR KIT

#	STOCK	DESCRIPTION
15	NV3-735	HEAD LINER FOAM PADDING
16	07-900	ADJUSTABLE HEAD SUPPORT
17	NV3-731	SIDE PADDING FRAMES (PAIR)
18	NV3-732-XXX	SIDE PADDING FOAM & COVERS, SIZE A-05*
19	NV3-733	SIDE PADDING COVERS (5 PAIRS)
20	NV3-734	HEAD LINER KIT (INCLUDES NV3-734-1)
21	NV3-734-1	HEAD LINER CLIPS (PK 4)
22	NV3-735	HEAD LINER FOAM PADDING
23	NV2012	INNER BID
24	NV3-745	CASSETTE LENS (PK 20)
25	NV3-750	NYLON RESPIRATOR CAPE
26	NV3-751	EXTRA LENGTH NYLON RESPIRATOR CAPE
27	NV3-752	LEATHER RESPIRATOR CAPE
28	NV3-753	EXTRA LENGTH LEATHER RESPIRATOR CAPE
29	NV3-754	BLAST JACKET SIZE XL
30	NV3-755	BLAST JACKET SIZE XXL

\* Side wings are available in 5mm (A05), 10 mm (A10), 15 mm (A15), and 20 mm (A20). Standard size supplied with Nova 3 is 10 mm. A05 is the thinnest padding system (for large heads) and A20 is the thickest (for small heads).

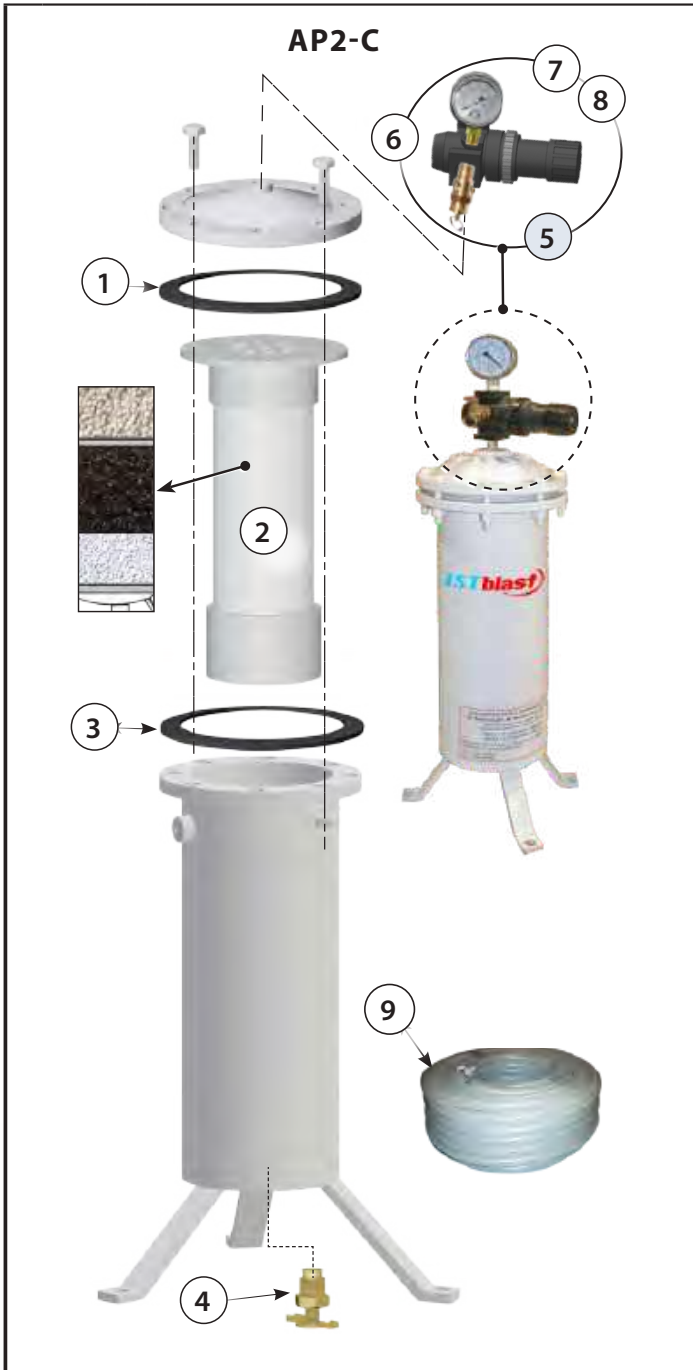
**SAFETY EQUIPMENT (END)**

**BULLARD (88 VX) HOOD**

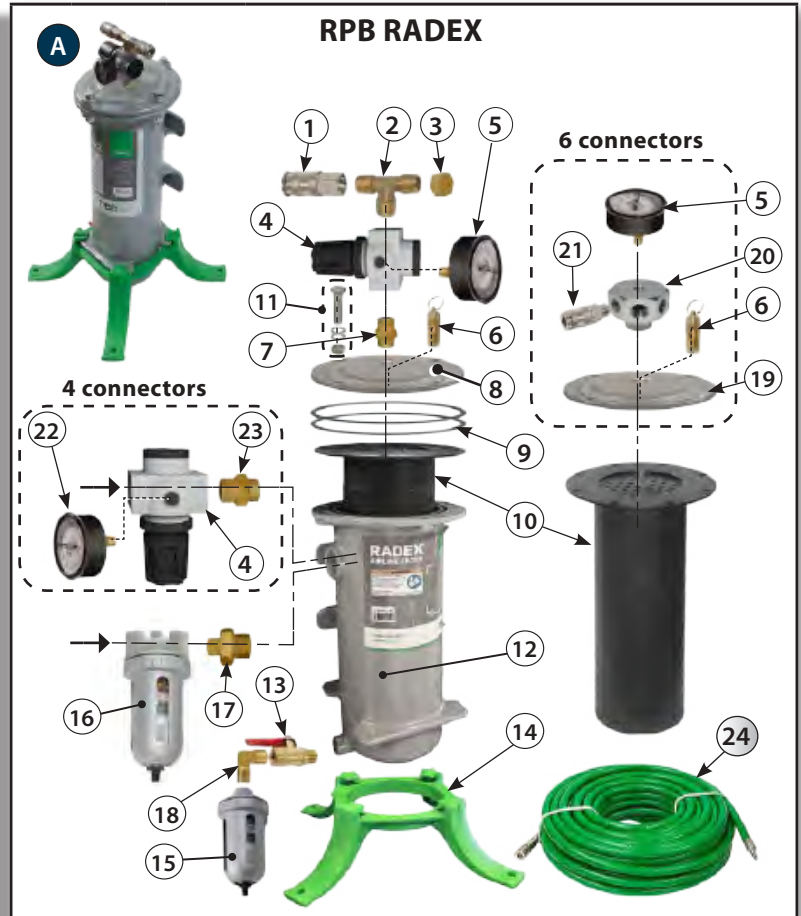


1	603070	Complete 88VX Bullard air fed hood, cape & belt (BH8)
2	613211	Nylon cape (standard 28" length)
	613224	38" length Cape
3	613237	38" length Hibernia nylon cape
	613009	RPW6 inner shield (oval 4½" x 12 ¾")
4	613010	RPW6 - outer shield (rectangular 5" x 14") (BH8)
5	913004	RPW6 - outer shield oval (4½" x 14")
6	613234	BH8/BH6 77LC perfor. visor shield (pack of 25)
7	613205	Window gasket including seal and visor
8	613254	Outer window frame kit
9	613132	Standard headband suspension
	613134	Ratchet headband suspension
10	613139	Chin strap
11	613226	Breathing tube only
12	613232	F30 ½" belt adaptor
13	613229	Flow control valve and adaptor
14	613238	BH8/BH30 FA35 ½" belt adaptor
15	613212	Belt
16	613155	AC1000 air cooler hose
17	613233	HC2400 adjustable h/c tube
17A	613160	Control valve and silencer
18	613235	Breathing tube connector 88CK
19	603510	Cold air tube

**AP2-C & RPB® RADEX™ AIRLINE FILTER**



#	Part #	DESCRIPTION
1	613301	Seal
2	603047	AP2-C replacement cartridge includes #1-3
3	613301	Seal
4	608230	1/4" MPT drain valve
5	613306	Regulation kit
6	608220	125 lb/po <sup>2</sup> 1/4" MPT safety valve
7	611022	1/4" MPT gauge
8	608020	1/4" FPT pressure regulator
9	613144	AP2C Initial Connection Hose with 3/8" Fitting (25')
	606145	AP2C Initial Connection Hose with 3/8" Fitting (50')
	606142	AP2C Extension Hose with 3/8" Fitting (50')
	606143	AP2C Extension Hose with 3/8" Fitting (100')



#	Part #	DESCRIPTION
A	04-900	Complete RADEX Airline filter 4 outlets
	04-906	Complete RADEX Airline filter 6 outlets
1	04-911	3/8" FTP quick release coupler
2	04-912	3/8" Brass "T"
3	04-913	3/8" Brass cap
4	04-914	Large Flow Pressure Regulator ( no pressure gauge)
5	04-915	Pressure Gauge
6	04-916	125 psi 1/4" MPT Pressure Relief Valve
7	04-917	3/8" Hex. brass nipple
8	04-918	Filter lid
9	04-919	O- Ring (set of 2)
10	APF3100	Filtering cartridge
11	04-920	SCREW, Nut, Washer, (set of 4)
12	04-921	Filter body
13	04-922	1/4", MPT brass drain tap
14	04-923	Base mount
15	04-924	1/4" FPT Auto drain unit
16	04-927	1/2" Water Vapor Filter, assembled
17	04-926	1" X 1/2" Brass nipple reducer
18	04-928	1/4" MPT Brass elbow
19	04-961	6 outlet cover
20	04-965	6 outlet FPT Manifold
21	04-964	1/4" Quick connect coupling
22	04-915	Pressure Gauge
23	603624	1/4" FPT Auto drain unit
24	NV2028	100'
	NV2029	25'
	NV2027	50'
		3/8" Diam. Breathing Air Supply Hose complete with Quick Release Fittings

## AMBIENT AIR PUMP RADEX TYPE

The Ambient Air Pump is a low cost breathing air supply solution that takes air from a clean location to supply low pressure respirators. This option is suitable for applications that do not require a grade D air supply and where the compressor cannot provide additional breathing equipment.

Due to the low pressure air supply, this system cannot be paired with the full range of respirators and flow control devices available through RPB. The only installation that is NIOSH approved is shown below.

**DO NOT USE any other respirator or flow control device on this system.**



### AMBIENT AIR PUMP

The pump is equipped with an inlet filter, an outlet filter element and a pressure gauge.

### SPECIFICATIONS

The table indicates the maximum permitted number of tight-fitting respiratory protection masks or loose hoods.

Part #	Max. number of respirators	Max. number of hoods	Power required	lb	hp	psi	cfm
06-100	2	1	8.3 A - 115/230 V	53	3/4	0-15	0-10



### AIR SUPPLY HOSE

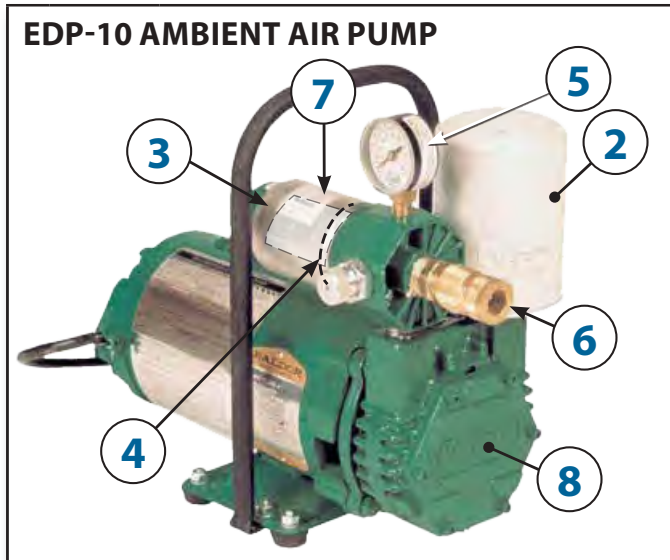
For respirator, sold with quick connectors, I.D. 1/2"  
Available in 50' and 100'.



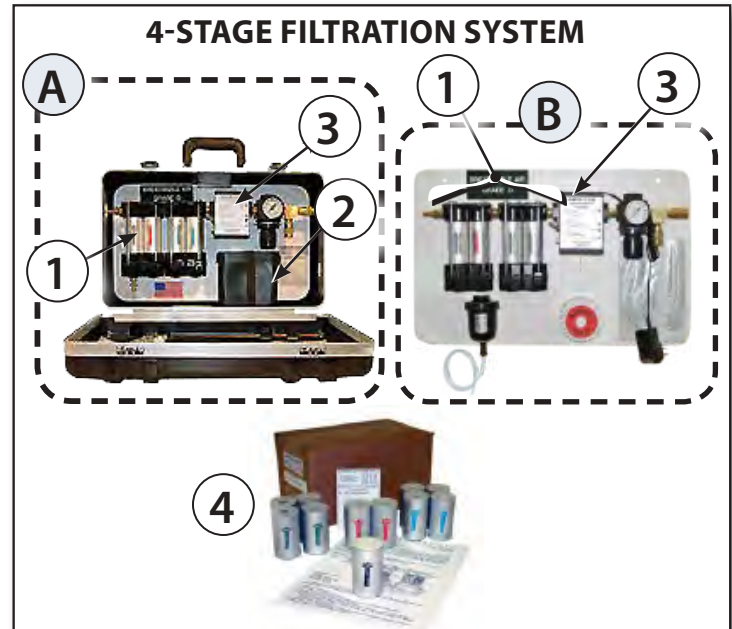
### NOVA 2000 RESPIRATOR WITH CONSTANT FLOW VALVE AT LOW PRESSURE

The Nova 2000 respirator comes complete with a breathing tube (NV2021B), a nylon cape (NV2002) and a low pressure constant flow valve (03-106).

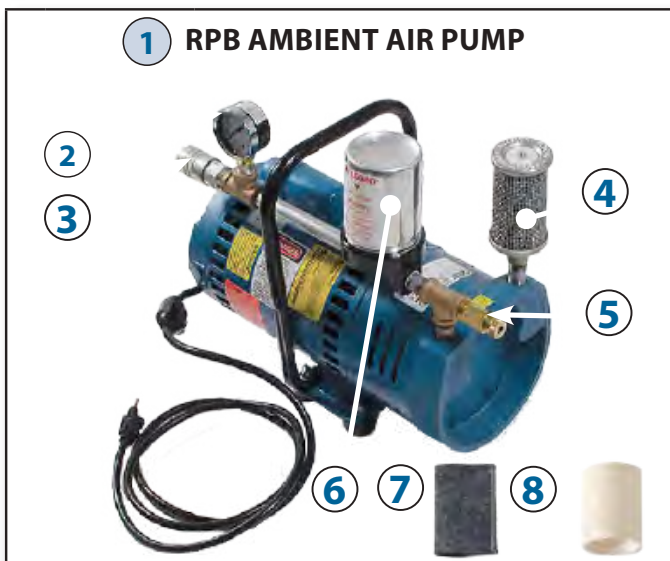
**AMBIENT AIR PUMPS, FILTRATION AND SUPPLY SYSTEMS**



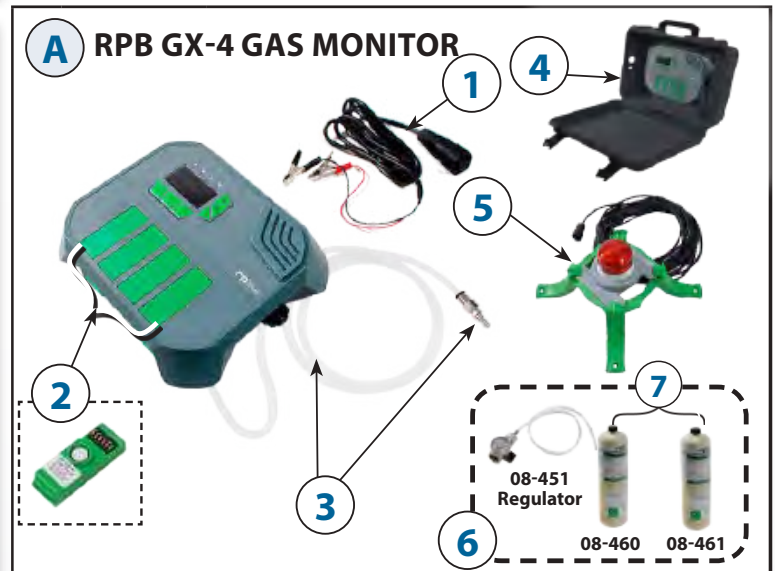
1	603101	Complete EDP-10 pump
2	603152	Inlet Filter
3	603150	Outlet filter
4	613284	"O" Ring (not illustrated)
5	603156	Gauge
6	603153	Quick connect coupler
7	613281	Filter bowl
8	603175	Service kit (not illustrated)



A	603116	50 cfm portable filtration kit
B	903104	50 cfm stationary filtration kit
1	603117	Replacement filter kit
2	603123	Rechargeable battery
3	603118	Carbon monoxide detector
4	603119	Calibration kit (11 cartridges)

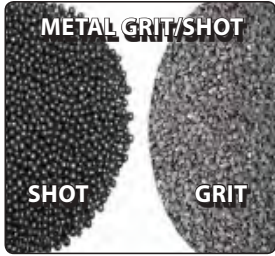


1	06-100	Complete Ambient Air Pump
2	9700-04	Pressure Gauge
3	9700-72AD	½" Hansen Coupler
4	9700-08	Inlet Filter Assembly (Includes 9700-01)
5	9700-03	Pressure Relief Valve
6	9700-15	Exhaust Filter Canister
7	9700-01	Inlet Filter Element
8	9700-02	Exhaust Filter Element



A	08-400-02	Complete RPB GX-4 Gas Monitor (10 ppm)
1	08-431	Battery Clips
2	08-420-xx	Carbon Monoxide or Hydrogen or Oxygene Sensors
3	08-428	Air Supply Hose and One Touch Connector
4	08-424	GX-4 Field Case
5	08-435	Optional Auxiliary Strobe Light c/w 50' Cable
6	08-459	Complete calibration kit (regulator + bottles)
7	08-458	Kit of 2 bottles (08-460 & 08-461)

## ABRASIVES



The most popular type of shot and grit is made from chilled iron. There are two kinds of granules like :

**SHOT** is a solid round particle causing a peening action and producing a smooth surface. Its heavy weight gives greater impact and hammering action for cleaning heavy forgings and removing heat treating scale.

**GRIT** is angular and like thousands of tiny chisels and cutting tools, does a fast cleaning job. Produces an ideal surface for adherence of new coatings. Often the shot and the grit will be mixed to achieve different finishes.

### Shot :

Code	Grade	Packaging format
635260	S70	Bag = 55 lb
635261	S110	
635265	S170	
635267	S230	
635269	S230	Barrel =2 000 lb
635268	S280	Bag = 55 lb

Code	Grade	Packaging format
635270	S330	Bag = 55 lb
635271	S390	
635272	S460	
635273	S550	
635276	S660	

### Grit :

Code	Grade	Packaging format
635247	GH-12	Bag = 55 lb
635233	GH-14	
635234	GH-14	Barrel =1 700 lb
635231	GH-16	Bag = 55 lb
635232	GH-18	
635224	GH-25	
635235	GH-25	Barrel =1 700 lb
635240	GH-40	Bag = 55 lb

Code	Grade	Packaging format
635230	GH-50	Bag = 55 lb
635244	GH-80	
635245	GH-120	
635225	GL-25	
635241	GL-40	
635229	GL-50	Barrel =1 700 lb
635236	GL-50	

Pallet = 56 bags

## SYNTHETIC OLIVINE PYROXENE SANDS FOR BLAST CLEANING

### ADVANTAGES :

- offers excellent sanding quality and its cost/performance ratio is highly competitive. It allows either more rapid cleaning and/or reduces consumption of sand.
- Because of its chemical and mineral composition, Olimag is a non-toxic material. It thus improves the quality of the work-place for sanders and other construction site employees. Less than 1% free silica.
- Reduced dumping charge (less material to dispose of).



Code	Grade	Packaging format
635201	10-20	Bags = 55 lb
635202	16-60	
635203	30-60	
635207	32-B4	
635204	35-70	
635213	60B2	

Code	Grade	Packaging format
635209	16-60	Super bags = 1.36 TM
635210	30-60	
635211	32-B4	
635212	35-70	
635214	60B2	

Pallet = 56 bags

**ABRASIVES (CONT'D)**



**GLASS BEADS**

One of the most popular abrasives used in cabinets today. Ideal for honing, polishing, penning, finishing and removing light burrs and foreign matter, such as carbon and surface residue from pistons and valves with no base metal removal or dimensional change.

Produces bright satin finish.

The applications are extensive, due to the wide range of screen sizes available.

Code	Grade	Packaging format
635003	BT3 20-30	50 lb Bag Pallet = 40 bags
635004	BT4 30-40	
635005	BT5 40-60	
635006	BT6 40-70	
635007	BT7 50-80	
635008	BT8 60-120	
635009	BT9 80-120	
635010	BT10 100-170	
635012	BT12 120-270	
635013	BT13 170-325	
635045	MIL #5	
635008MIL	MIL #8	
635040	MIL #10	



**GMA GARNET™**

GMA Garnet™ consists of totally natural almandine garnet known for its natural hardness, durability and abrasive characteristics. It is free of any heavy metals or toxic components and meets all Occupational Health & Safety requirements.

It does not contain metallic iron, which is suitable for all areas of the surface preparation of stainless steel, anti-magnetic steel, and any special alloys.

Pallet = 40 bags

Code	Grade	Packaging format	Code	Grade	Packaging format
636107	GX-1 SpeedBlast	Bags = 55 lb	636125	PrecisionBlast 120	
636108	GX-2 ToughBlast		636140	SoftBlast 220	
636118	CC80 NewMetal		635213	60B2	



**PLASTIC**

This relatively new dust-free abrasive is a special alloy of plastic material that has high tensile, compressive and flexural strength combined with comparatively low hardness. Used for deflashing plastic parts and cleaning molds, dies, electronic connections and circuit boards.

It can effectively deburr machined iron castings, zinc or aluminum die castings and non-ferrous screw machine parts in addition to deflashing molded plastic parts.

Code	Grade	Packaging format	Code	Grade	Packaging format
635201	10-20	Bags = 55 lb	635209	16-60	Super bags = 1.36 MT
635202	16-60		635210	30-60	
635203	30-60		635211	32-B4	
635207	32-B4		635212	35-70	
635204	35-70		635214	60B2	
635213	60B2				

**ABRASIVES (END)**



**ALUMINIUM OXIDE**

Widely used as a cutting abrasive. Produces excellent “anchor” or “tooth” patterns in preparation for recoating.  
 Excellent for deburring, frosting glass and lettering stone. It is extremely fast cutting and can be reused many times.  
 Manufactured from high grade ore and is chemically inert. Classified in various sizes for a wide selection of finishes.

Pallet = 40 bags

Code	Grade	Packaging format
635102	8	Bags = 50 lb
635103	12	
635101	16	
635105	20	
635104	24	
635108	30	
635106	36	
635100	40	
635107	46	
635111	50	
635109	54	
635110	60	

Code	Grade	Packaging format	
635114	70	Bags = 50 lb	
635118	80		
635120	90		
635122	100		
635125	120		
635131	150		
635135	180		
635141	220		
635142	220		Barrel = 400 lb
635144	240		Bags = 50 lb
635148A	320	Barrel = 400 lb	
635148	320		

**CONVERSION TABLE**

Mesh	inch	µm	mm	Mesh	inch	µm	mm	Mesh	inch	µm	mm	Mesh	inch	µm	mm
3	0.2650	6730	6.730	14	0.0555	1410	1.410	50	0.0117	297	0.297	200	0.0029	74	0.074
4	0.1870	4760	4.760	16	0.0469	1190	1.190	60	0.0098	250	0.250	230	0.0024	63	0.063
5	0.1570	4000	4.000	18	0.0394	1000	1.000	70	0.0083	210	0.210	270	0.0021	53	0.053
6	0.1320	3360	3.360	20	0.0331	841	0.841	80	0.0070	177	0.177	325	0.0017	44	0.044
7	0.1110	2830	2.830	25	0.0280	707	0.707	100	0.0059	149	0.149	400	0.0015	37	0.037
8	0.0937	2380	2.380	30	0.0232	595	0.595	120	0.0049	125	0.125				
10	0.0787	2000	2.000	35	0.0197	500	0.500	140	0.0041	105	0.105				
12	0.0661	1680	1.680	40	0.0165	400	0.400	170	0.0035	88	0.088				

**AIR CONSUMPTIONS BLASTING SYSTEMS**

**PRESSURE**

Nozzle I.D. <sup>4</sup>	Units	WORKING PRESSURES (psi) <sup>2</sup>												
		20	25	30	35	40	45	50	60	70	80	90	100 <sup>o</sup>	120
1/8"	cfm <sup>1</sup>	7	7	8	9	10	12	13	14	15	17	19	20	25
	lb/h <sup>3</sup>	48	48	55	62	69	73	77	82	110	127	140	154	192
3/16"	cfm <sup>1</sup>	15	16	18	20	22	24	26	30	33	38	41	45	55
	lb/h <sup>3</sup>	94	101	114	127	140	153	166	192	220	243	268	297	363
1/4"	cfm <sup>1</sup>	27	30	34	37	41	45	49	55	61	68	74	81	97
	lb/h <sup>3</sup>	174	193	219	251	276	303	329	369	398	460	504	556	666
5/16"	cfm <sup>1</sup>	42	46	53	57	65	70	76	88	101	113	126	137	152
	lb/h <sup>3</sup>	254	278	320	345	394	425	462	528	680	756	832	910	1010
3/8"	cfm <sup>1</sup>	55	63	76	82	91	100	109	126	143	161	173	196	220
	lb/h <sup>3</sup>	374	428	517	558	620	682	744	860	970	1080	1184	1296	1454
7/16"	cfm <sup>1</sup>	72	85	100	112	124	137	149	170	194	217	240	254	300
	lb/h <sup>3</sup>	488	576	678	759	835	840	908	1160	1320	1476	1630	1782	2104
1/2"	cfm <sup>1</sup>	96	112	129	146	165	179	195	224	252	280	309	338	392
	lb/h <sup>3</sup>	629	734	845	976	1103	1197	1305	1500	1700	1890	2088	2277	2640
5/8"	cfm <sup>1</sup>	173	195	212	239	260	282	308	356	404	452	504	548	611
	lb/h <sup>3</sup>	1081	1219	1325	1470	1600	1716	1875	2140	2422	2690	2973	3250	3623

**SUCTION**

NOZZLE I.D. <sup>4</sup>	PRESSURES (psi) <sup>2</sup>					
	40	50	60	70	80	100 <sup>o</sup>
1/4"	12	15	17	19	21	26
5/16"	19	23	27	30	34	42
3/8"	27	33	38	43	48	58
7/16"	38	46	52	60	65	80
1/2"	49	58	67	76	85	94

**VARIOUS ACCESSORIES**



**Angular Nozzle**

Excellent for hard to reach places. Increases productivity. Saves abrasive.



**Interior Tube Blasting Nozzle 4" to 12" I.D.**

Spinning nozzle for interior cleaning of tubes 4" to 12" I.D. Requires 250 cfm minimum. Very effective for large tubes.

#917507



**Sandblasting nozzle for tube interior 1" to 4" I.D.**

Special deflector nozzle for inside blasting of tubes from 1" to 4". Circular projection of abrasive deflection by creating a circular 360° cover. Requires 85 CFM minimum.

#617500



**LED Sandblast Light**

Can be mounted directly on sandblast hose for direct lighting on surface being clean.

#604041



**Water Injector Nozzle**

Can be used with your sandblasting equipment. Excellent to reduce sanding dust.

#604040



**Water Adaptor for Sandblasting Nozzle**

Add water to your sandblasting nozzle. Reduces sandblasting dust.



**Sandblast Suits**

IST offers a range of superior quality blast suits designed to produce the ultimate protection for workers, while increasing the comfort and productivity. We all know sandblasting can be a very harsh environment and demanding for workers. A properly designed suit for protection will allow workers to move freely and blast safely.

**UPGRADES LIST**

**Check your equipment serial number in order to find out which replacement part number is compatible for your system.**

<b>CABINET ECONO SERIES</b> Description of the modification	Year of modification	Models affected	Effective starting Serial #
Replacement of the halogen projector model and introduction of a LED projector upgrade kit  Halogen bulb 250 W unchanged: .....#617127 Protective glass for 1 <sup>st</sup> generation projector: .....#610213 Protective glass for 2 <sup>nd</sup> generation projector: .....#610206 LED projector upgrade kit: .....#61713	2007	ECONO26	MS-20A1-0442
		ECONO36	MS-32A1-0427
		ECONO48	MS-22A1-0058
Lighting system upgrade from halogen/LED projector to LED fixture. There is no upgrade kit, the modification must be made by IST or by the customer.  New LED fixture: .....#617161 New LED fixture protective glass: .....#610322	2017	ECONO26	MS-20A1-0610
		ECONO36	MS-32A1-0502
		ECONO48	MS-22A1-0082
<b>*Foot control pedal upgrade</b> Old suction pedal.....#610270 New suction pedal.....#908065	Until 2022 Since 2022	ECONO : all	Contact IST

**\*Note: This upgrade involves the replacement of various components. Contact IST for more information.**

<b>CABINET ECAB SERIES</b> Description of the modification	Year of modification	Models affected	Effective starting Serial #
Lighting system upgrade from halogen/LED projector to LED fixture.  Old LED bulb: .....#617130 Protective glass of the old lightbulb system:..... #610202 New LED fixture: .....#617161 New LED fixture protective glass: .....#610322	2017	ECAB3	MS-20B1-2662
		ECAB5	MS-32B1-0199
		ECAB7	MS-22B1-1391
<b>*Foot control pedal upgrade</b> Old suction pedal.....#610270 New suction pedal.....#908065	Until 2022 Since 2022	ECAB : All	Contact IST

**\*Note: This upgrade involves the replacement of various components. Contact IST for more information.**

**UPGRADES LIST (CONT'D)**

<b>CABINET M SERIES</b> Description of the modification	Year of modification	Models affected	Effective starting Serial #
<b>Lighting system upgrade from neon tube to LED fixture</b> Old 24" neon fixture for models 48" or less models:..... #617141 Old 24" neon tube for models 48" or less models: .....#617150 Old 48" neon fixture for models larger than 48": .....#617145 Old 48" neon tube for models larger than 48": .....#617151 Protective glass for models 48" or less unchanged: .....#610212 Protective glass for models larger than 48" unchanged: #610211 New 24" LED fixture for models 48" or less: .....#617161 New 48" LED fixture for models larger than 48":..... #617160 LED Upgrade Kit for models 48" or less: .....#617162	<b>Since 2016</b>	All Industrial M Series Cabinets	Contact IST
<b>*Foot control pedal upgrade</b> Old suction pedal.....#610270 New suction pedal.....#610315 New Pedal (suction and pressure).....#908065	Until 2022 Since 2022		

**\*Note:** This upgrade involves the replacement of various components. Contact IST for more information.

<b>ALL SANDBLAST POTS</b> Description of the modification	Year of modification	Models affected	Effective starting Serial #
<b>Abrasive Metering Valve Upgrade</b>			
Old PMV186 Valve.....#608847	<b>Until 2017</b>	Sandblast pots with RC186 and RC176/186 combined	Contact IST
New AR7 Valve.....#608043	<b>Since 2017</b>		
Ancient actuator A6 for AR7 valve (normally open).....#608482	<b>2017 to 2022</b>		
New actuator A7 for AR7 valve (normally closed).....#608042	<b>Since 2022</b>		

**Note:** This upgrade involves the replacement of various components. Contact IST for more information.

**INFORMATION / TECHNICAL ASSISTANCE**

**ISTblast** is a registered trademark of:



For more information, pricing or technical support, contact your local  
IST distributor or call / fax to our Consumer Information numbers:

**TEL.: 1 877 629-8202 & 450 963-4400**

Or visit us at:  
**[istsurface.com](http://istsurface.com)**

## ABOUT THE COMPANY

### WHO WE ARE

IST is a leading manufacturer of equipment for the surface treatment industry and the solvent recycling industry. Our extensive line of equipment includes batch units and automated machines designed to achieve the highest manufacturing standards.

### MISSION

IST works tightly with their customers to transform industrial processes to improve their quality, productivity, and environmental footprint.

### OUR SERVICES

- Custom Design & Fabrication
- Installation & Startup
- Preventative Maintenance Program
- Private Labels
- Testing Lab
- 24/7 Technical Support5656

### INDUSTRIES WE SERVE

- Aerospace & Aviation
- Aluminium Smelters
- Automotive
- Construction & Civil Engineering
- Flexography (labelling) & Lithography
- Foundry & Forge
- General Manufacturing
- Military
- Power & Energy
- Rail & Mass Transit
- Shipyards
- Wood finishing

